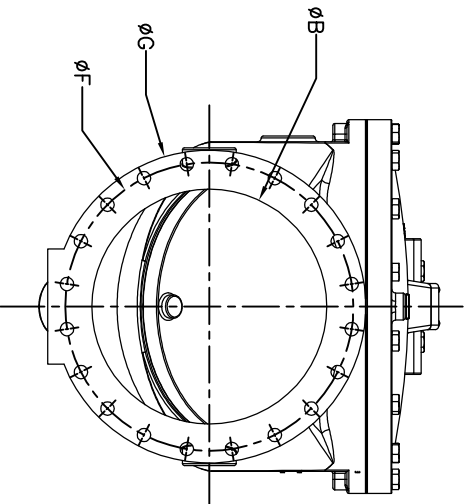
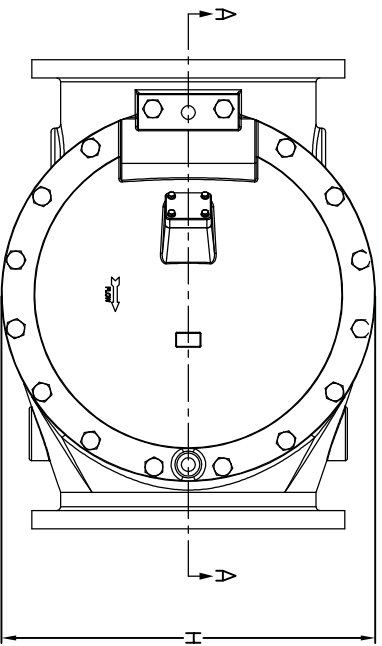
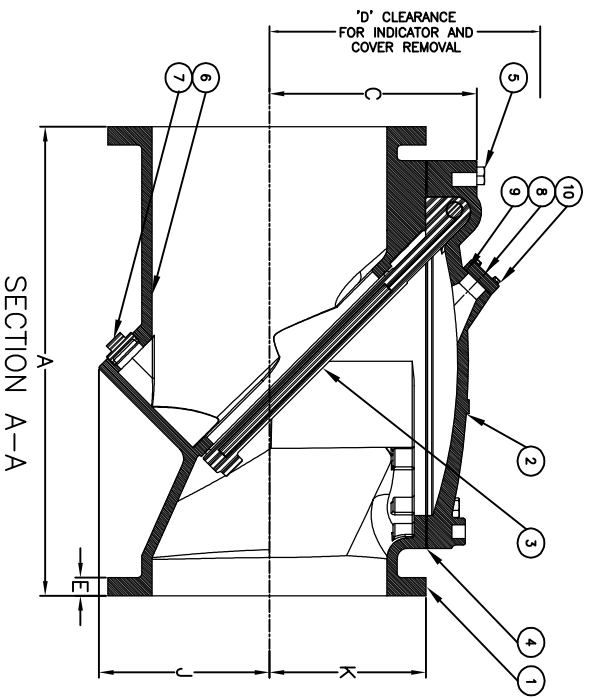


VALVE SIZE	A	B	C	D	E	F	G	H	J	K	BOLT SIZE	NO. OF BOLTS	PLUG SIZES
18	36.0	18.0	17.13	21.56	1-9/16	22.75	25.0	29.13	14.17	12.52	1.13	16	2-1/2" NPT
20	40.0	20.0	19.13	23.56	1-11/16	25.00	27.5	31.90	14.96	13.75	1.13	20	3" NPT
24	48.0	24.0	22.75	27.25	1-7/8	29.50	32.0	38.25	16.53	16.00	1.25	20	3" NPT



ITEM	QTY	DESCRIPTION	MATERIAL	ASTM DESIGNATION
10	4	BOSS COVER BOLTS	<input type="checkbox"/> STEEL <input type="checkbox"/> STN. STEEL	-
9	1	O-RING	RUBBER (BUNA)	D2000 BK 807
8	1	BOSS COVER	DUCTILE IRON	ASTM A-536-GR 65-45-12
7	1	PLUG	GALVANIZED MALLEABLE IRON	-
6	1	INTERIOR LINING	EPOXY	-
5	AR	CAP BOLTS	<input type="checkbox"/> STEEL <input type="checkbox"/> STN. STEEL	-
4	1	GASKET	RUBBER (BUNA N)	D2000 BK 807
3	1	DISC	STEEL/BUNA-N	ASTM-A36 / D2000 BK 807
2	1	BONNET	DUCTILE IRON	ASTM A-536-GR 65-45-12
1	1	BODY	DUCTILE IRON	ASTM A-536-GR 65-45-12

ISSUE NUM.		BY: TITLE	
DATE	REVISIONS	AA	DATE: 11/13/14
		CHG'D BY: JON COLPAN	SCALE: NONE
		DIMENSION: INCHES	

18"-24" FIG. 851A
FLEX CHECK
WITH INDICATOR BOSS

DWG. NO. M50657	
-----------------	--

NOTES:
1 - FLANGES ARE PER ANSI B16.1 CLASS 125/150 FLAT FACED.
2 - RATED PRESSURE IS 250 PSI.