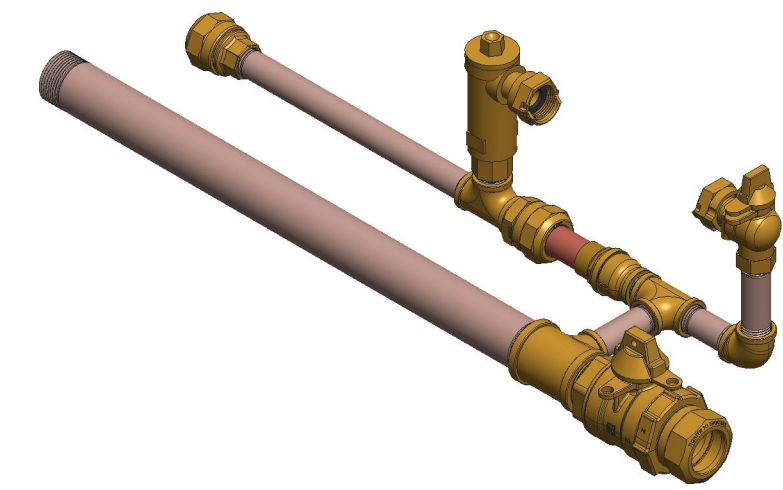
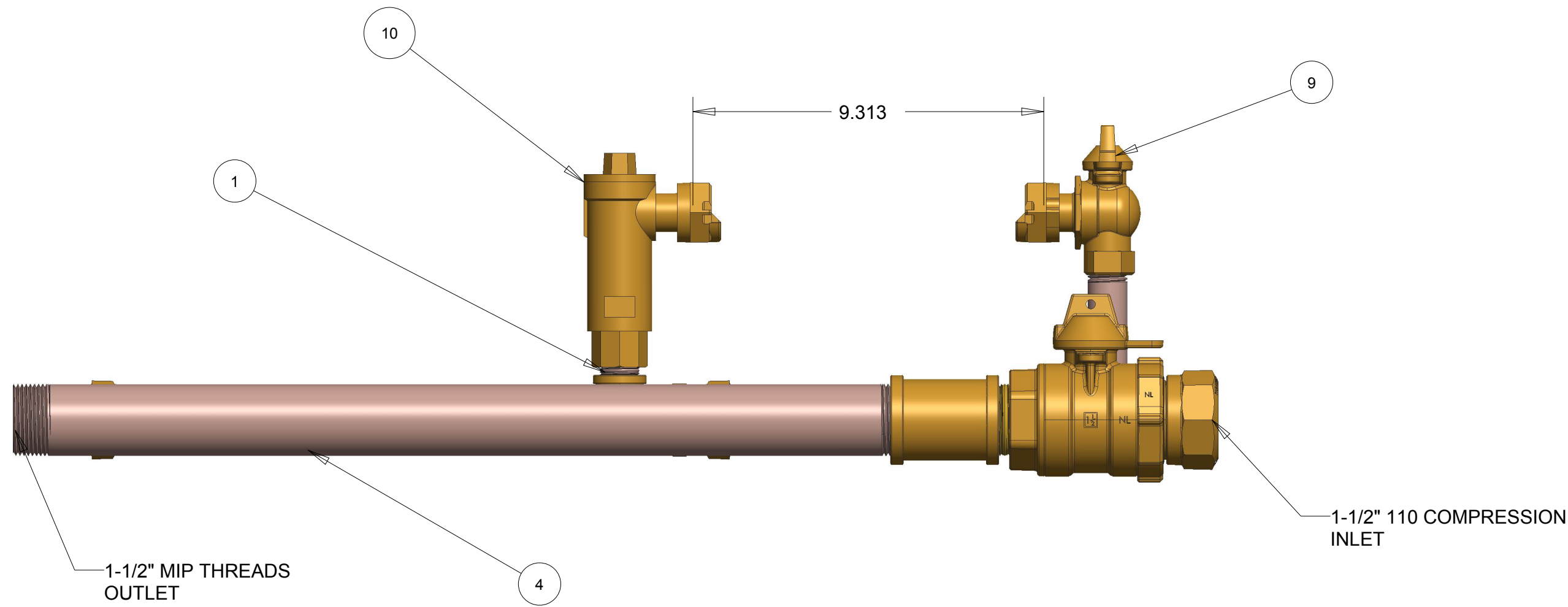
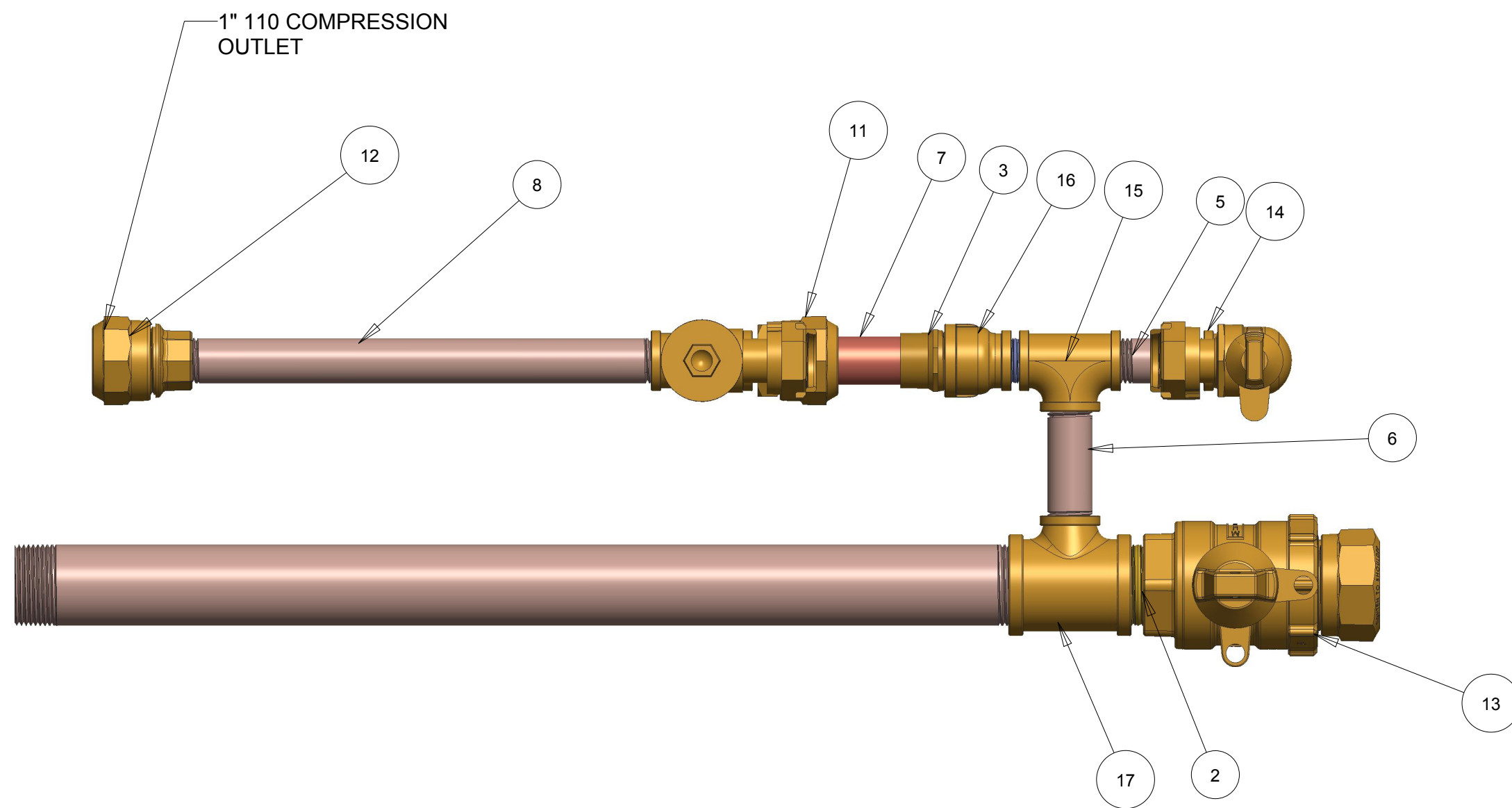


307B24180-6A16N

ITEM NO	PART NUMBER	QTY	DESCRIPTION
1	047138	2	3/4" CLOSED NIPPLE
2	047141	1	1-1/2" CLOSED NIPPLE
3	509702	1	ADAPTER W/ WEB
4	534864	1	1-1/2" X 24" TBE
5	548471	1	3/4" X 3" NIPPLE
6	548479	2	3/4" X 3-3/4" NIPPLE
7	548592	1	1.125"OD COPPER TUBING
8	700232	1	3/4" X 12" TBE
9	215B24265N	1	5/8" X 3/4" FULL PORT BALL VALVE
10	215H14460AN	1	5/8" X 3/4" VERTICAL CHECK VALVE
11	333H15248N	1	3/4" MIP X 1" 110 COMPRESSION
12	333H15451N	1	3/4" FIP X 1" 110 CTS COMP. TAIL PIECE
13	500B25170N	1	1-1/2" INLINE BALL VALVE
14	534865E	1	3/4" ELBOW
15	534866E	2	3/4" FIP TEE
16	790059E	1	1" X 3/4" BELL REDUCER
17	790197E	1	1-1/2" X 1-1/2" X 3/4" TEE



OPTION CODE: 16
 * 1-1/2" SPRINKLER LINE
 * 1-1/2" MIP THREADS ON OUTLET
 * 1" 110 COMPRESSION ON OUTLET

DR. BY	BBF	6/16/17	UNLESS OTHERWISE NOTED		THIRD ANGLE PROJECTION		C.B. NO.	
CHKR			BREAK CAST CORNER(S)---					
ENGR			BREAK MACH CORNER(S)---		PURCH.	FINISH	PATT. NO.	
MGR			TOLERANCES		REF. NO.		SCALE	
MFG			UNLESS OTHERWISE NOTED		REF. NO.		NONE	
TOOL			LINEAR	ANGULAR	STK. NO.			
FDRY			±	±				
MATL:			DESCR. 3/4" COPPER METER SETTER 7" RISER HEIGHT W/ 1-1/2" SPRINKLER LINE LOW LEAD BRASS				NUMBER	307B24180-6A16N
			Mueller Co.					