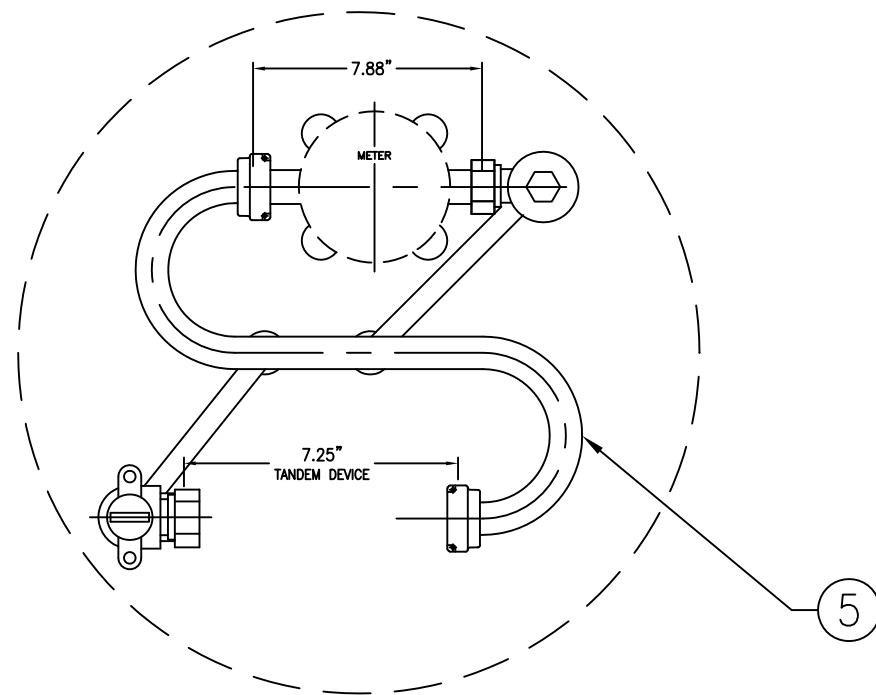


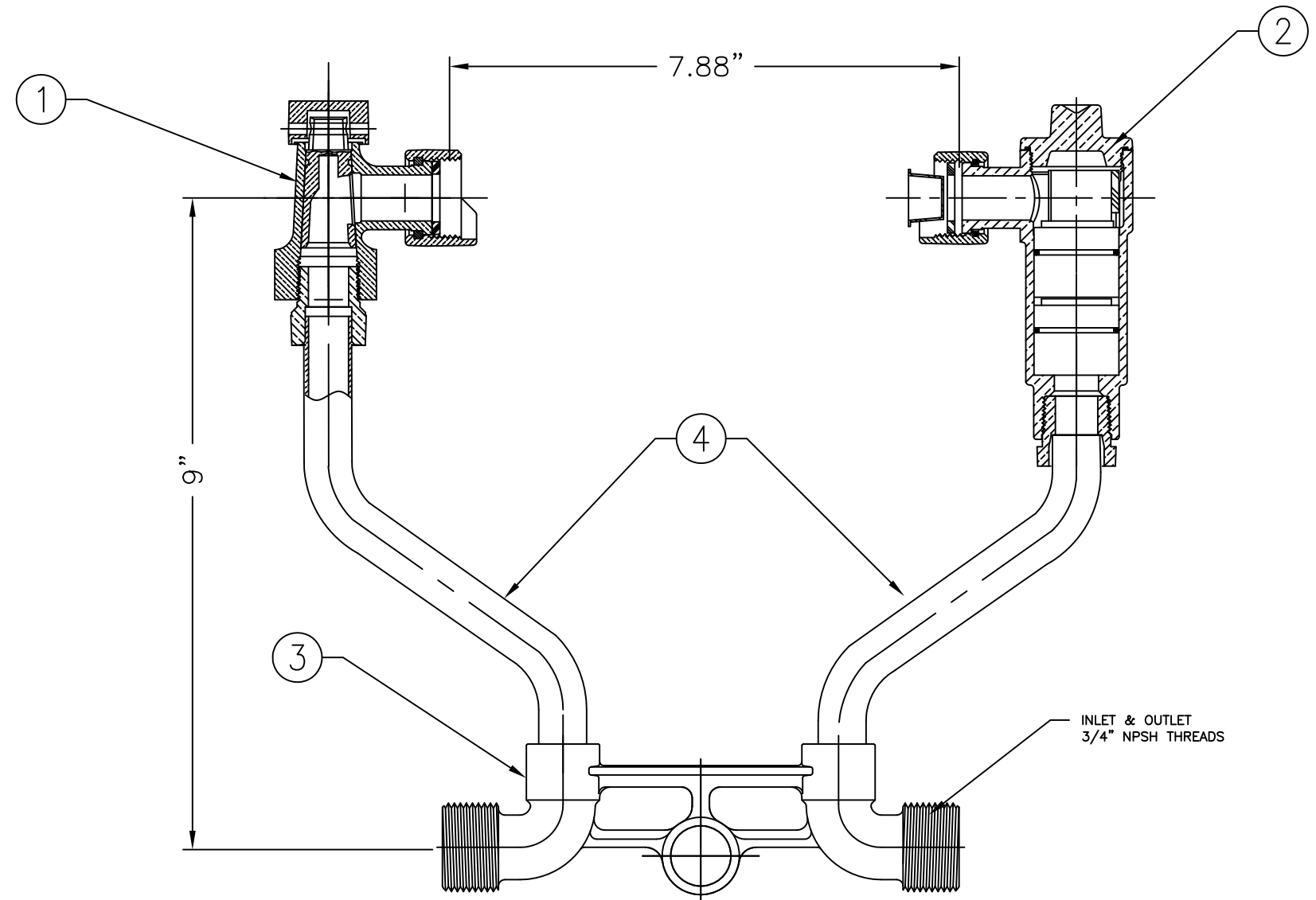
ITEM	DESCRIPTION	PART NO.	REQ'D
1	5/8" X 3/4" ANGLE METER STOP	H1426551RN	1
2	5/8" X 3/4" ASSE VERTICAL CHECK VALVE	H14460AN	1
3	METER BAR		1
4	RISER SUB ASSEMBLY		2
5	SPACER TUBE ASSEMBLY		1

\*NOTE: METER NOT INCLUDED



DETAIL OF TANDEM ASS'Y

TOP VIEW



FRONT VIEW

236H14118-6A35N

OPTION CODE: 35

- TANDEM SETTER WITH A PRV LAY LENGTH OF 7.25" (NO SPUDS, DUE TO CUSTOM ADAPTERS)

DRFT'R	BBF	7/28/17	THIRD ANGLE PROJECTION	REF. NO.	SCALE
CHK'R					NONE
E.O. NUMBER				STOCK No.	
<b>Mueller Co.</b>			DESCR.	REV.	NUMBER
			5/8" x 3/4" x 9" TANDEM COPPER SETTER NPSH INLET & OUTLET LOW LEAD BRASS	236H14118-6A35N	
				SHEET 1 OF 1	

REV.	DESCRIPTION	REF.	DRFT'R	CHK'R	APP	DATE