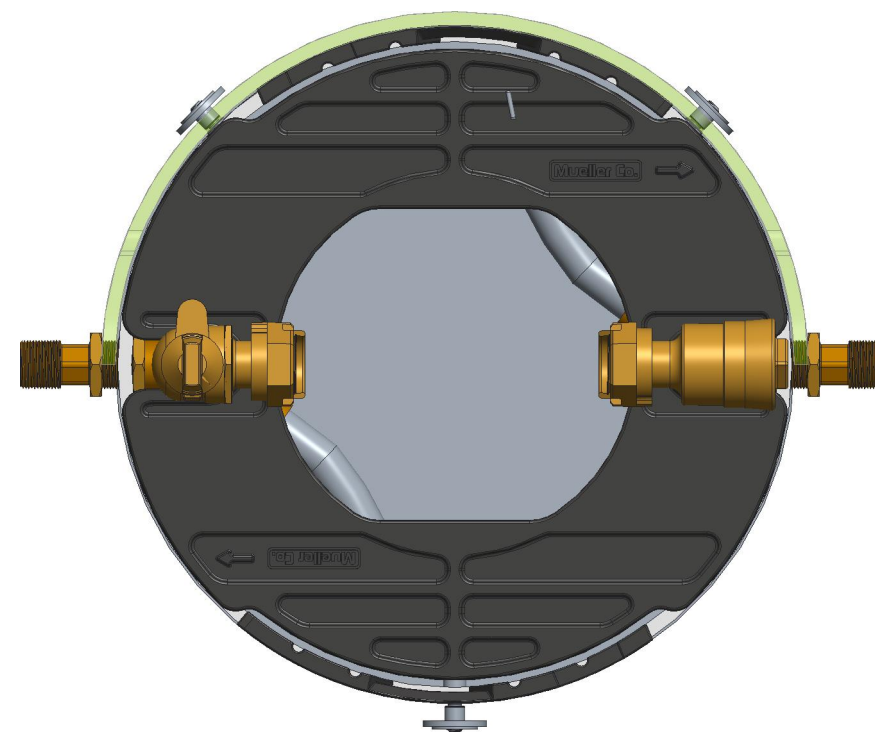


ITEM NO	PART NUMBER	QTY	DESCRIPTION
1	311965	1	15-10 ABS PLATFORM
2	545214-1512	1	14" INSIDE CARTRIDGE - 12" RISE
3	545216	3	T-NUT
4	545217	3	STAINLESS STEEL WASHER
5	545218	3	3/8-16 SHOULDER BOLT
6	548205	1	15" SS BOTTOM W/ NO TABS
7	548357_15IN	2	15" & 18" UNIVERSAL BRACKET
8	700013_REVE	4	3/4" HOSE CONNECTOR
9	700035-1572	2	3/4" COIL PART
10	780112	1	15IN W/ TOUCH READER HOLE ASSEMBLY (OPTIONAL)
11	790000-1560	1	15" ADJUSTABLE SHELL ASSEMBLY
12	790006	8	3/4" HEX NUT
13	790022	1	15" INSULATION PAD (OPTIONAL)
14	215B24265N	1	5/8" X 3/4" FULL PORT BALL VALVE
15	215H14244AN	1	5/8" X 3/4" ASSE DUAL CHECK VALVE



DR. BY	BBF	7/28/17	UNLESS OTHERWISE NOTED		THIRD ANGLE PROJECTION		C.B. NO.
CHKR			BREAK CAST CORNER(S)---				
ENGR			BREAK MACH CORNER(S)---		PURCH.	FINISH	PATT. NO.
MGR			TOLERANCES UNLESS OTHERWISE NOTED		REF. NO.	SCALE	
MFG			LINEAR	ANGULAR	STK. NO.		
TOOL			±	±			
FDRY							
MATL:							
<b>Mueller Co.</b>			DESCR. 5/8"X3/4" ADJUSTABLE SINGLE METER PIT 15" DIA X 60"-72" DEPTH LOW LEAD BRASS				NUMBER 203AS156072FSASN