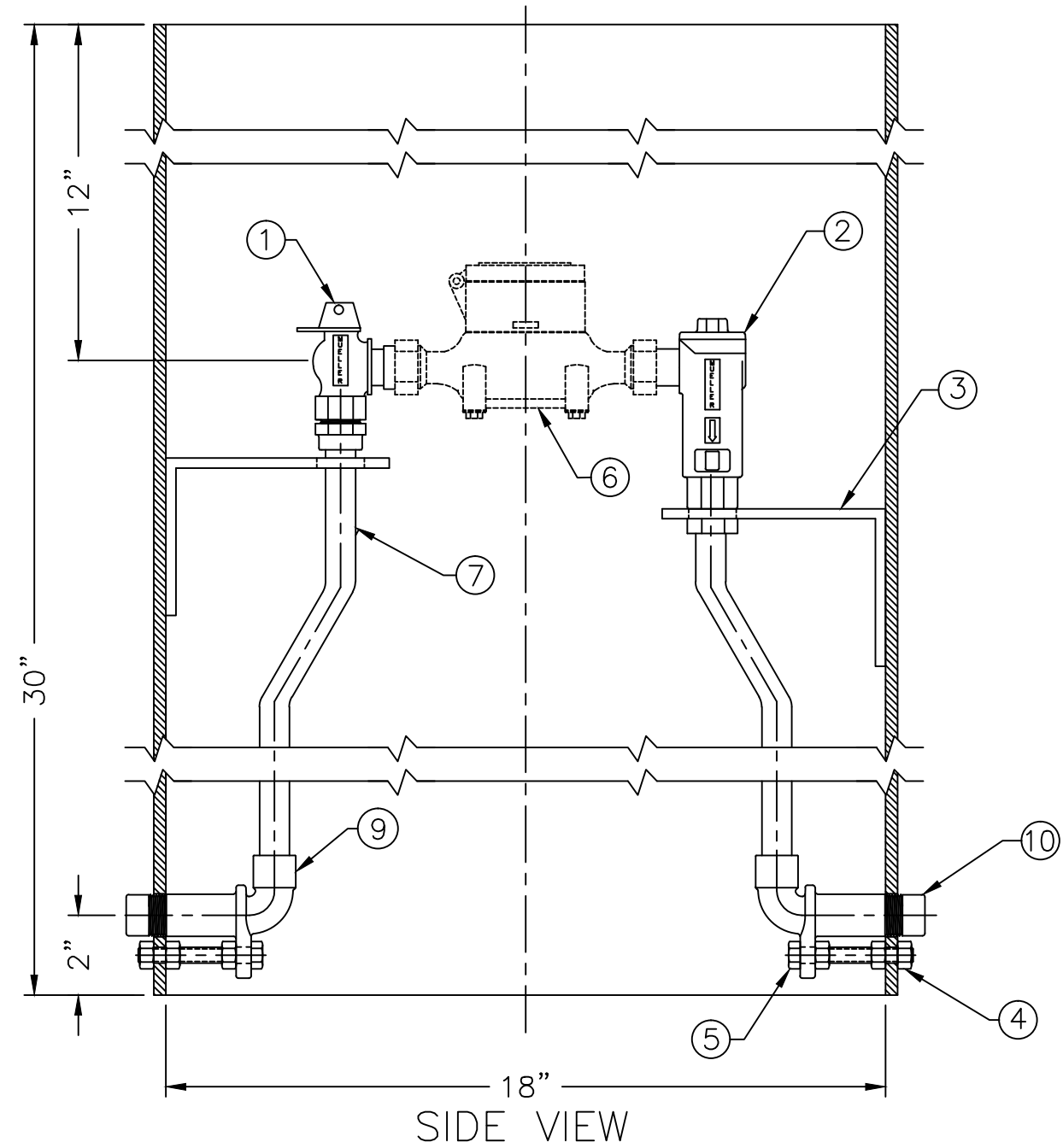
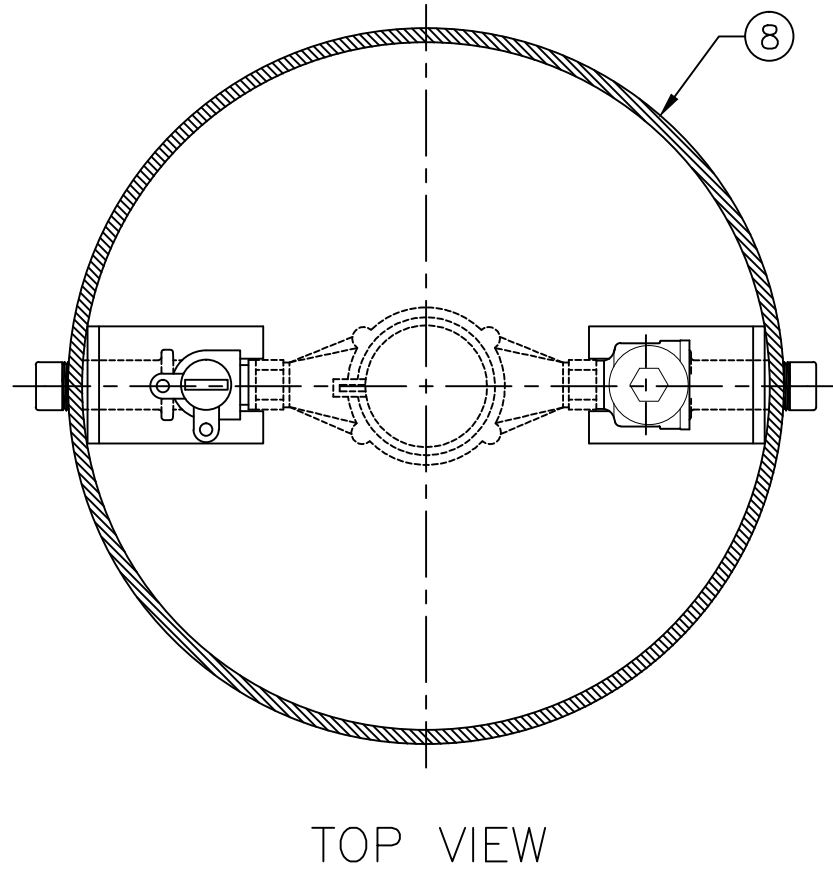


ITEM	DESCRIPTION	REQ'D
1	3/4" FULLPORT ANGLE BALL VALVE	1
2	3/4" VERTICAL CHECK VALVE	1
3	STABILIZING BRACKET	2
4	HEX NUT	6
5	HEX BOLT	2
6	METER JUMPER	1
7	RISER SUB-ASSEMBLY	1
8	18" SHELL SUB-ASSEMBLY	1
9	90° ELBOW	2
10	CAPLUG	2

NOTE: ALL WETTED BRASS PARTS ARE LOW LEAD



NOTE: VERTICAL CHECK VALVE ARE DUAL CHECK VALVE ASSE

NOTE: METER NOT INCLUDED

DRFT'R	JCJ	7-26-11	THIRD ANGLE PROJECTION	REF. NO.	SCALE
CHK'R					NONE
E.O. NUMBER				STOCK No.	
			DESCR.	REV.	NUMBER
			RIGID COPPER SINGLE METER PIT		203RCS1830FVBN000237N
					SHEET 1 OF 1

ECO: 1568343

203RCS1830FVBN000237N

REV.	DESCRIPTION	REF.	DRFT'R	CHK'R	APP	DATE