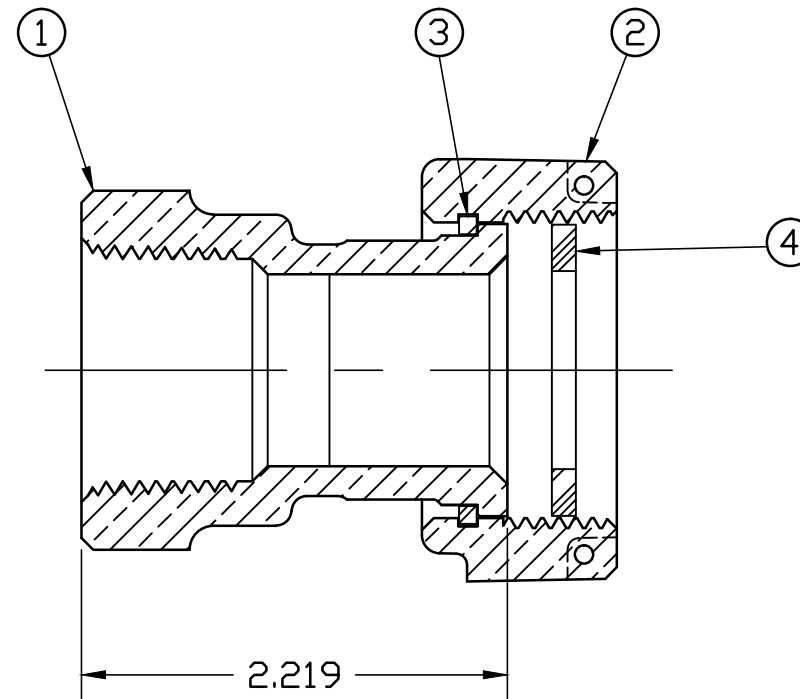


No.	DESCRIPTION	MATERIAL
1	TAILPIECE	CAST LOW LEAD BRASS ALLOY
2	COUP. NUT	CAST BRASS ASTM B62 ALLOY C83600
3	SNAP RING	COPPER ALLOY CDA521
4	GASKET	ASTM D2000 NITRILE RUBBER



ALL WETTED PARTS ARE LOW LEAD BRASS ALLOY

FILEPATH: PROD-ENG\MUELLER\ASYSUBMITTALS\H14235N

						DRFTR	RWB	8/28/17	Mueller Co.		
						CHKR					
						ENGR					
						MGR					
									UNLESS OTHERWISE NOTED	THIRD ANGLE PROJECTION	
									SURFACE PREPARATION:		
									BREAK CORNER(S) ---- .000		
									SURFACE FINISH -- XX RMS	REF. No.	SCALE
									TOLERANCE(S):		
									LINEAR ----- ± .000		
									ANGULAR ----- ± 0°00'		
									STK No:		
									MAT'L:		
									DESCR.	3/4" x 1" METER COUPLING (MULTI SWL NUT x FIP)	DWG NUMBER H14235N
REV	ECR	DESCRIPTION	DATE	BY	CHKR						

TITLE TO AND OWNERSHIP OF THIS ENGINEERING DATA REMAINS IN Mueller Co. NO USE IS TO BE MADE OF THIS DATA EXCEPT AS SPECIFICALLY AUTHORIZED BY Mueller Co. ASSENT ON THE PART OF THE RECIPIENT TO THESE CONDITIONS IS PRESUMED

DWG NUMBER
H14235N
442-MRKTG