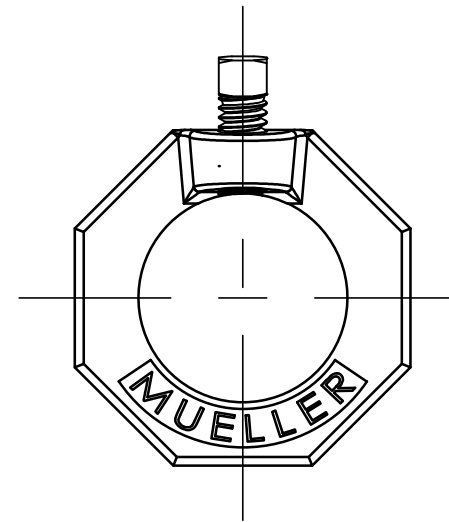
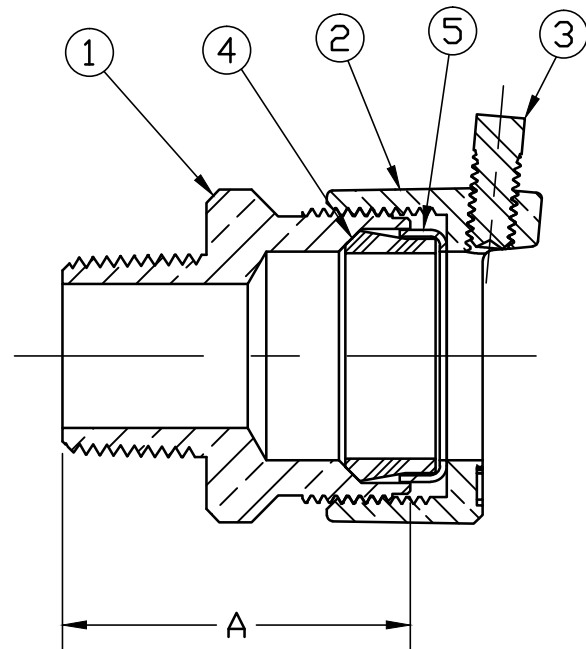


ITEM	DESCRIPTION	MATERIAL DESCRIPTION
1	SPUD	CAST LOW LEAD BRASS ALLOY
2	COUPLING NUT	CAST BRASS ASTM B62 ALLOY C83600
3	SET SCREW	CAD. PLATED IRON
4	GASKET	RUBBER
5	RETAINER CUP	ASTM A1008 STEEL



SIZE	A
3/4"	1.812
1"	1.969

ALL WETTED PARTS ARE LOW LEAD BRASS ALLOY

FILEPATH: PROD-ENG\MUELLER\ASYSUBMITTALS\H1542310N

DWG NUMBER  
H1542310N  
442-MRKTG

TITLE TO AND OWNERSHIP OF THIS ENGINEERING DATA REMAINS IN Mueller Co. NO USE IS TO BE MADE OF THIS DATA EXCEPT AS SPECIFICALLY AUTHORIZED BY Mueller Co. ASSENT ON THE PART OF THE RECIPIENT TO THESE CONDITIONS IS PRESUMED

						DRFTR	RWB	8/15/17	<b>Mueller Co.</b>		
						CHKR					
						ENGR					
						MGR					
									UNLESS OTHERWISE NOTED	THIRD ANGLE PROJECTION	
									SURFACE PREPARATION:		
									BREAK CORNER(S) ---- .000		
									SURFACE FINISH -- XX RMS	REF. No.	SCALE
									TOLERANCE(S):		NONE
									LINEAR ----- ± .000		
									ANGULAR ----- ± 0°00'		
									STK No:		
									MAT'L:		
									DESCR.	LLB SERVICE FITTING (MIP x DRESSER)	DWG NUMBER H1542310N
									PER EST NO: DXXXX	EST FIN WT = 0.0000 lbs	