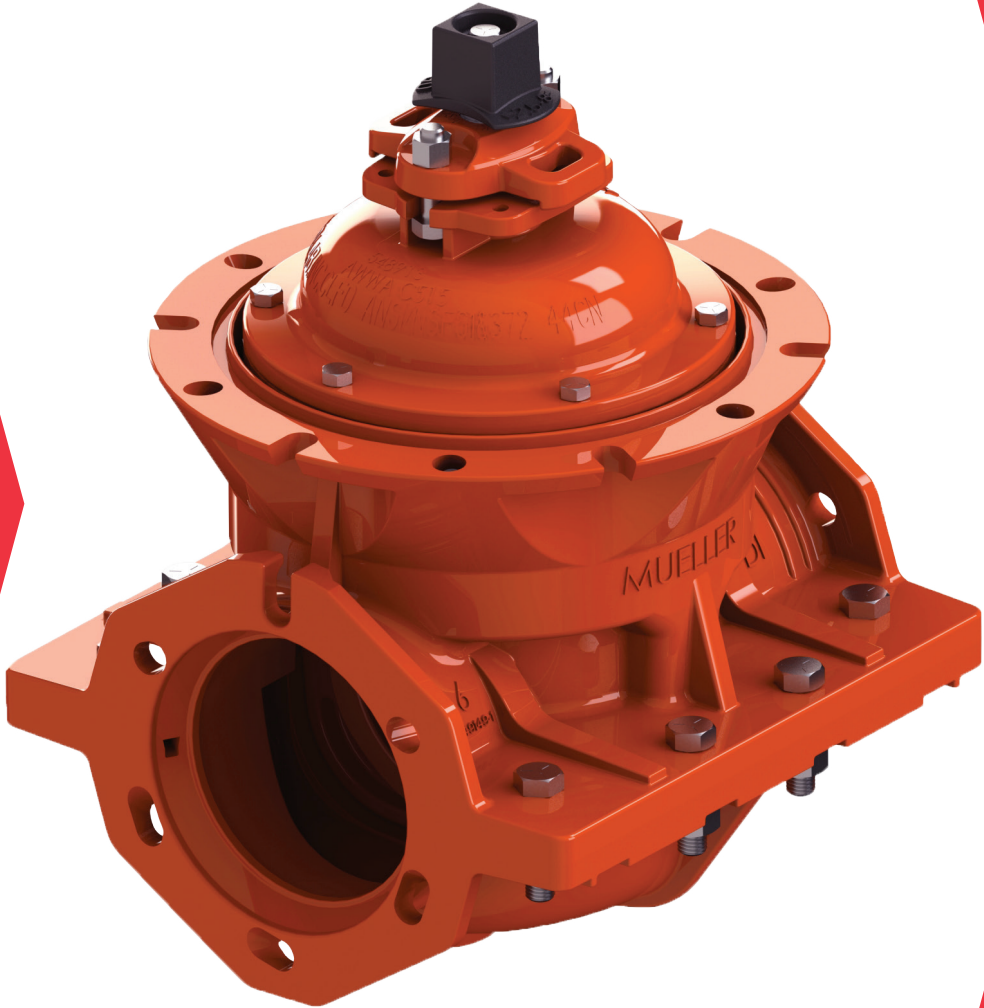


MUELLER

PERMASEAL™ INSERTION VALVE

True Resilient Wedge Gate Valve



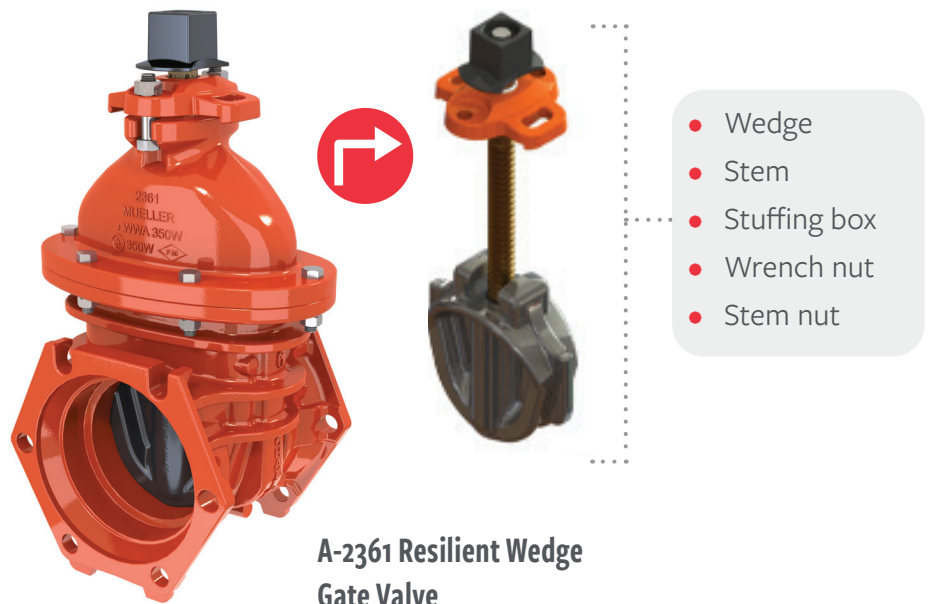
MUELLER

The Mueller PermaSeal™ Insertion Resilient Wedge Gate Valve

Introducing the newest product in the Mueller 2300 series gate valve product line – PermaSeal™ Insertion Valve.

Dependable service, maintenance, and safety are key with insertion valve solutions. The PermaSeal™ Insertion Valve is designed to match characteristics of best in class gate valve offerings for water supply service.

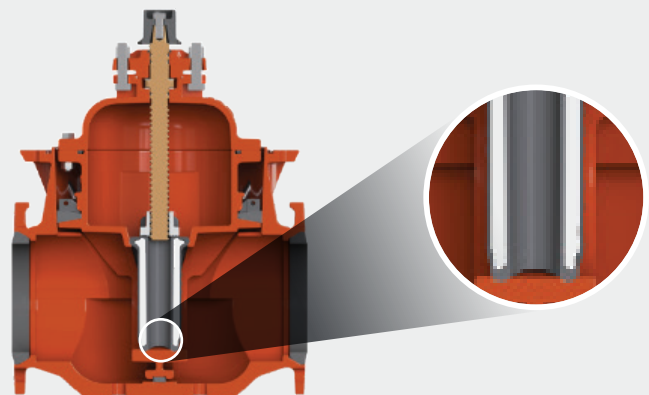
- True Resilient Wedge Gate Valve designed to meet applicable AWWA industry standards.
- Offered in 4", 6", 8", 10" and 12" standard (DI, CI, PVC) and oversized (A-C pipe) variants to be inserted into an existing water main with minimal service disruption and dependable functional service life.
- With over 160 years of Mueller design and industry experience, you can depend on the PermaSeal™ Insertion Valve to perform reliably.



Integrates functionality and performance of Mueller A-2361 Resilient Wedge Gate Valve and Mueller H-600 Series ductile iron tapping sleeve.

Repeatable and Reliable Service

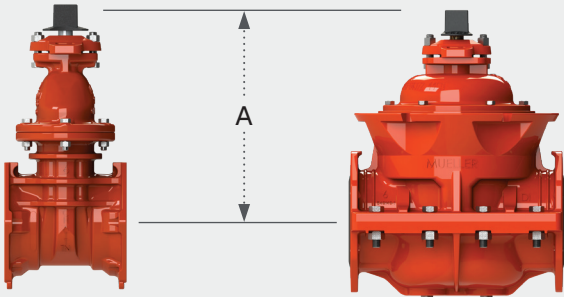
- “Clean Seat” technology enables reliable and repeatable watertight shutoff - suitable for an exercise program
- Gate seats on the precision cast surface of valve body and not on host pipe
- No recess/pocket in bottom of gate seat area to trap sediment or debris





Designed to ANSI/AWWA C-515 Standard

- Compliant with pertinent structural, functional, operating, and dimensionally important installation criteria
- 100% factory tested and verified
- Standard Mueller wedge, stem, and stuffing box valve operating assembly components
- Standard Mueller 10-year warranty



Compliance and Compatibility

- *350/250 psig maximum working pressure
- AWWA C550 10 mil (nominal) fusion bonded epoxy coating
- ANSI/NSF 61 & 372 Certified for Drinking Water System Components
- Compatible with most major types of pipe

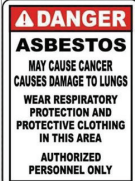
*Standard/Oversized

Pipe Types:

- Ductile Iron
- Cast Iron
- Steel
- PVC
- Asbestos Cement**



** Seek Compliant Expert Advice For Breathing Protection And Protective Equipment. Call OSHA 1-800-321-6742 for more information.

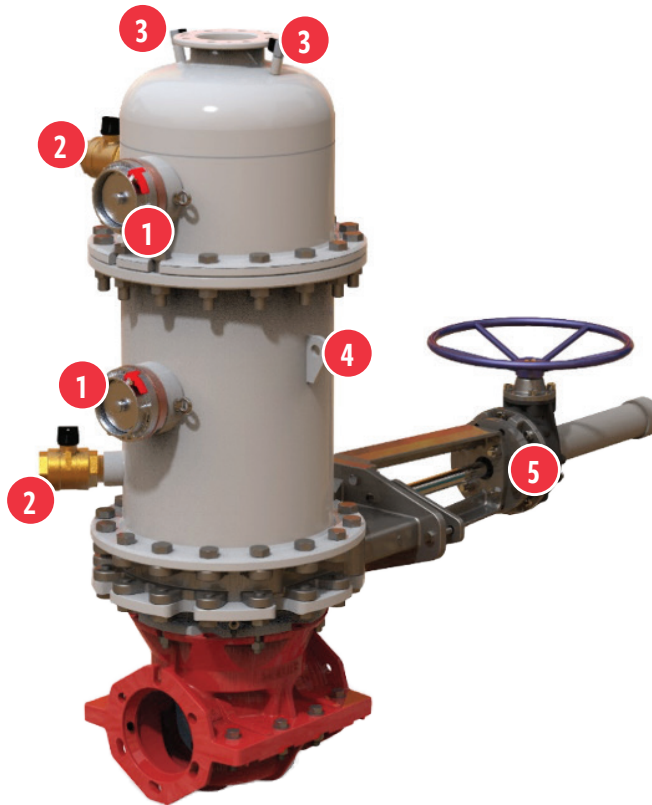


INSTALLATION EQUIPMENT

Designed to ease common installation difficulties and comes as two independent sets intended to service individual size ranges of 4"-8" and 10"-12". Adopts Mueller CL-12 and C1-36 drilling machines for cutting and valve insertion operations.

Convenient features of installation equipment include:

1. Storz inspection ports for (4") for access/inspection convenience
2. Drain valves (2") for quick water evacuation
3. Purge valves (1/4") for effective system deaeration
4. Ergonomic lifting ears
5. Isolation valve with mechanical gear operator (4:1)



For more information about us or to view our full line of water products, please visit www.muellerwp.com or call Mueller customer service at 1.800.423.1323.

Mueller refers to one or more of Mueller Water Products, Inc. (MWP), a Delaware corporation, and its subsidiaries. MWP and each of its subsidiaries are legally separate and independent entities when providing products and services. MWP does not provide products or services to third parties. MWP and each of its subsidiaries are liable only for their own acts and omissions and not those of each other. Mueller brands include Mueller®, Echologics®, Hydro Gate®, Hydro-Guard®, HYMAX®, i2O®, Jones®, Krausz®, Mi.Net®, Milliken®, Pratt®, Pratt Industrial®, Singer®, and U.S. Pipe Valve & Hydrant. Please see muellerwp.com/brands to learn more.

© 2021 Mueller Co. LLC. All Rights Reserved. The trademarks, logos and service marks displayed in this document are the property of Mueller Co., its affiliates or other third parties. Products above marked with a section symbol (§) are subject to patents or patent applications. For details, visit www.mwppat.com. These products are intended for use in potable water applications. Please contact your Mueller Sales or Customer Service Representative concerning any other application(s).