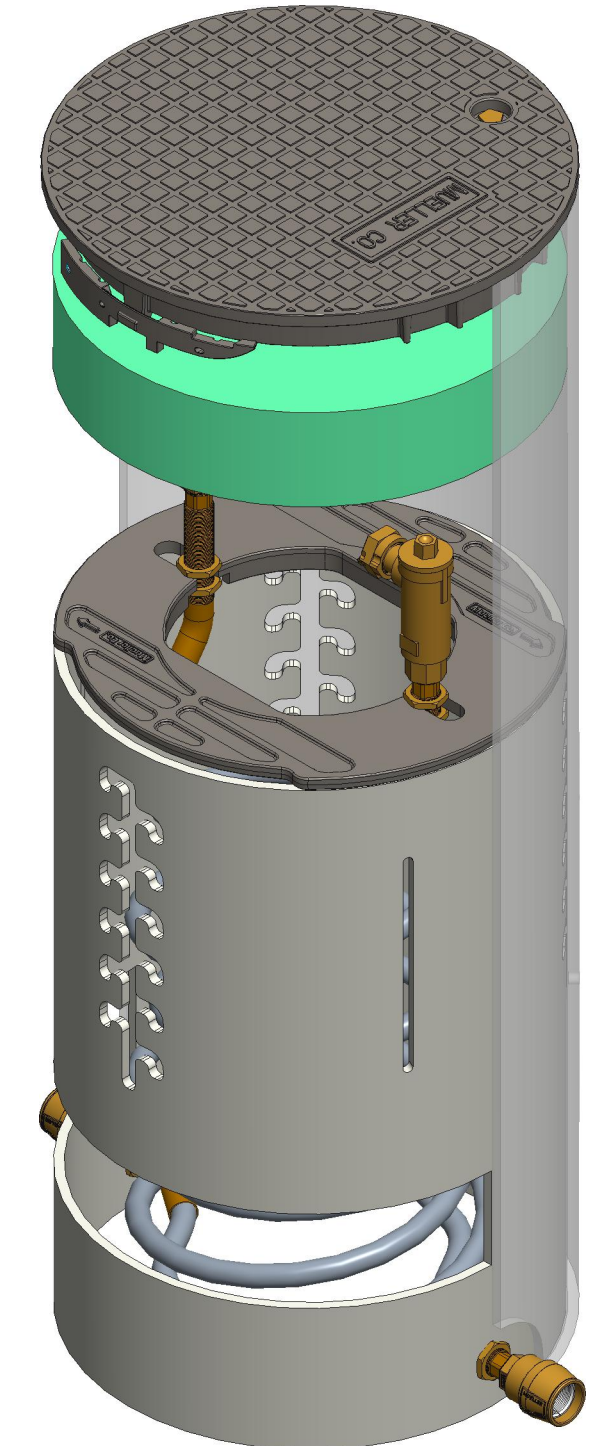
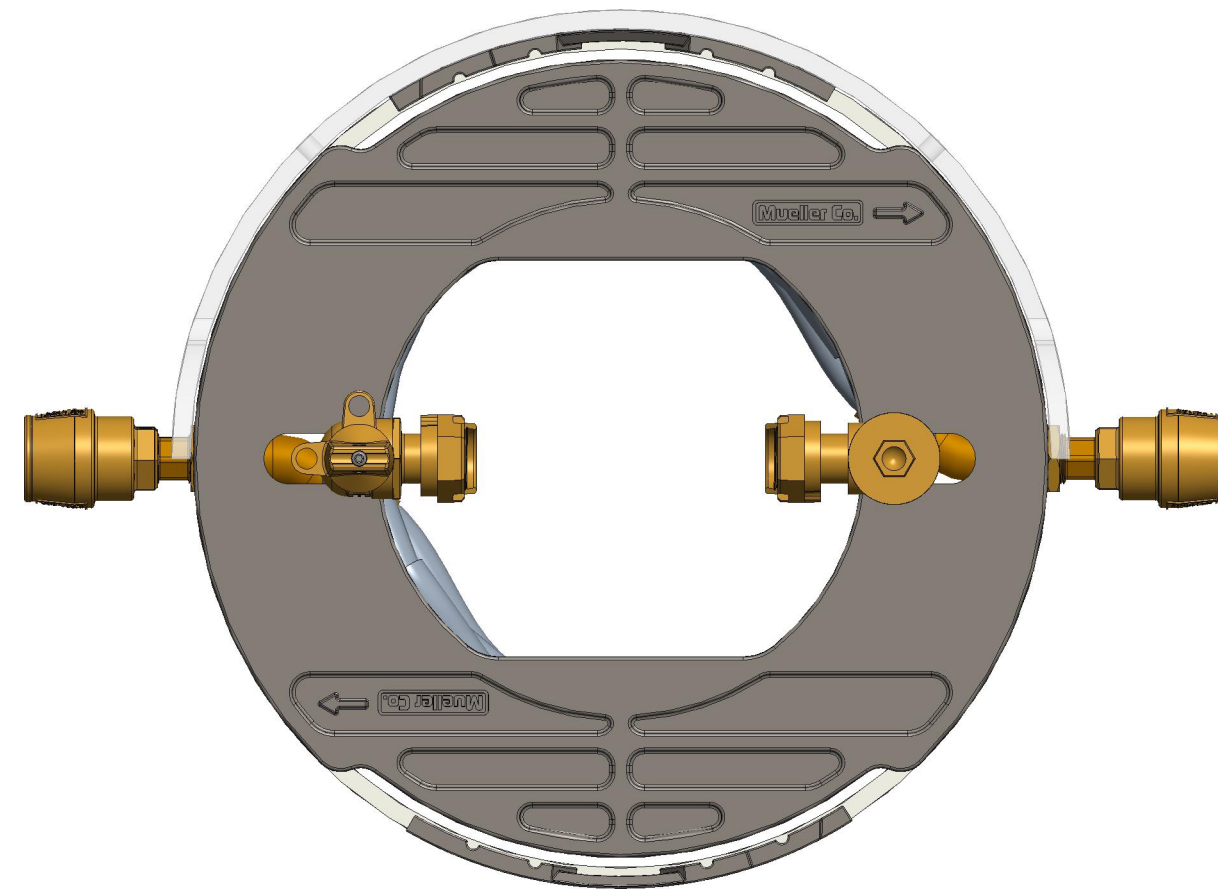
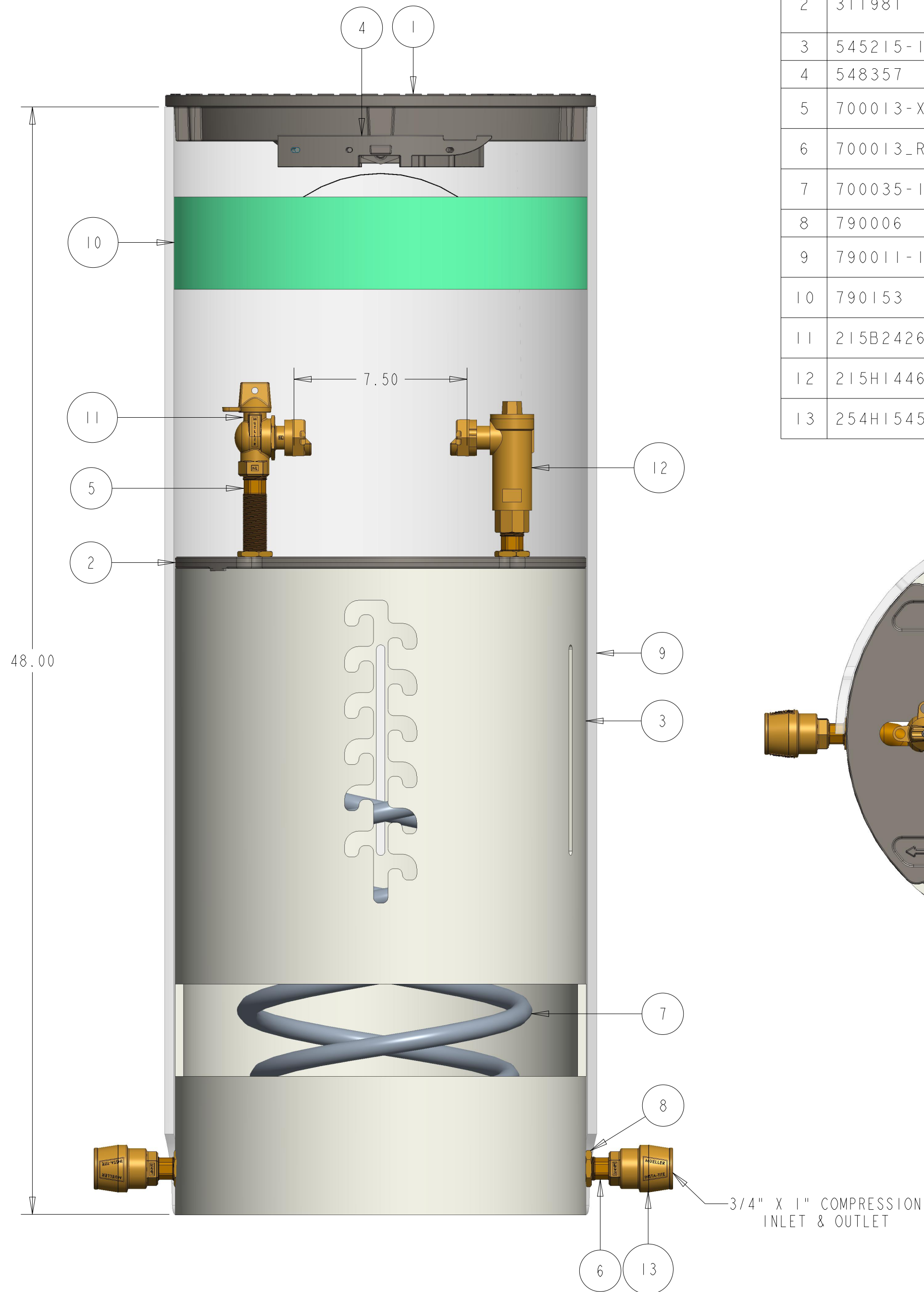


ITEM NO	PART NUMBER	QTY	DESCRIPTION	MATERIAL
1	311955	1	18" DIA SIDE LOCKING COMPOSITE LID (SOLD SEPARATELY)	COMPOSITE MATERIAL
2	311981	1	ABS PLATFORM 18-40	PLASTIC VIRGIN POLYLAC, PA747 ABS BLACK RESIN OR PROOFED EQUIVALENT RESIN
3	545215-1812	1	17" INSIDE CARTRIDGE - 12" RISE	PVC PIPE
4	548357	2	15" & 18" UNIVERSAL BRACKET	INJECTION MOLDED PLASTIC
5	700013-XLT	1	3/4" HOSE CONNECTOR	RED BRASS ASTM B43 ALLOY C23000 O61 TEMPER ANNEALED
6	700013_REVE	3	3/4" HOSE CONNECTOR	RED BRASS ASTM B43 ALLOY C23000 O61 TEMPER ANNEALED
7	700035-1560	2	3/4" COIL PART	POLYBUTYLENE RESIN BASELL AKOALIT PB4267 OR 4237 GREY
8	790006	8	3/4" HEX NUT	ASTM B16 ALLOY C36000
9	790011-1848	1	18" ADJUSTA-SHELL ASSEMBLY 48"-60"	SDR-51 PVC PIPE ASTM D2241 GRADE 1120
10	790153	1	18" INSULATION PAD (SOLD SEPARATELY)	ETHAFOAM 220 WHITE OR POLYLAM 1.7 DENSITY WHITE
11	215B24265N	1	5/8" X 3/4" FULL PORT BALL VALVE	LEAD FREE BRASS ALLOY ASTM B584 C89833/C87850
12	215HI4460AN	1	5/8" X 3/4" VERTICAL ASSE APPROVED CHECK VALVE	LEAD FREE BRASS ALLOY ASTM B584 C89833/C87850
13	254HI5456	2	3/4" X 1" INSTA-TITE FITTING	LEAD FREE BRASS ALLOY ASTM B584 C89833/C87850



OPT 000681: WITH HI5456 ATTACHED INLET & OUTLET				
DR. BY	BBF	09/11/18	UNLESS OTHERWISE NOTED	THIRD ANGLE PROJECTION
CHKR			BREAK CAST CORNER(S)---	
ENGR			BREAK MACH CORNER(S)---	PURCH. FINISH
MGR			TOLERANCES	REF. NO. SCALE
MFG			UNLESS OTHERWISE NOTED	STR. NO.
TOOL			LINEAR ANGULAR	
FDRY			± ±	
MAT'L:				
<b>MUELLER</b>		DESCR: 5/8" X 3/4" ADJUSTABLE SINGLE METER PIT 18" DIA X 48-60" DEPTH LEAD FREE BRASS		NUMBER 203AS184860FVBS000681N