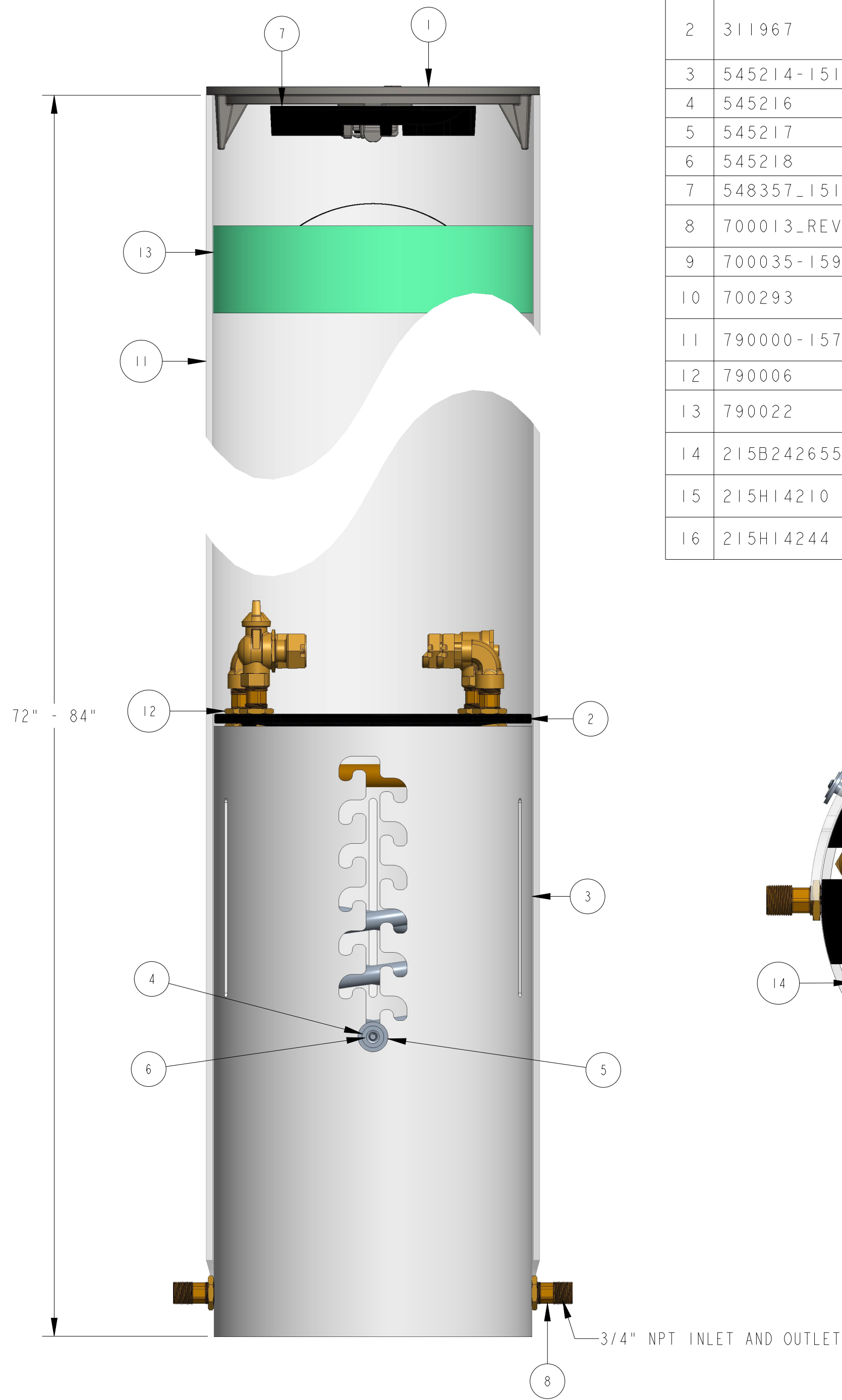
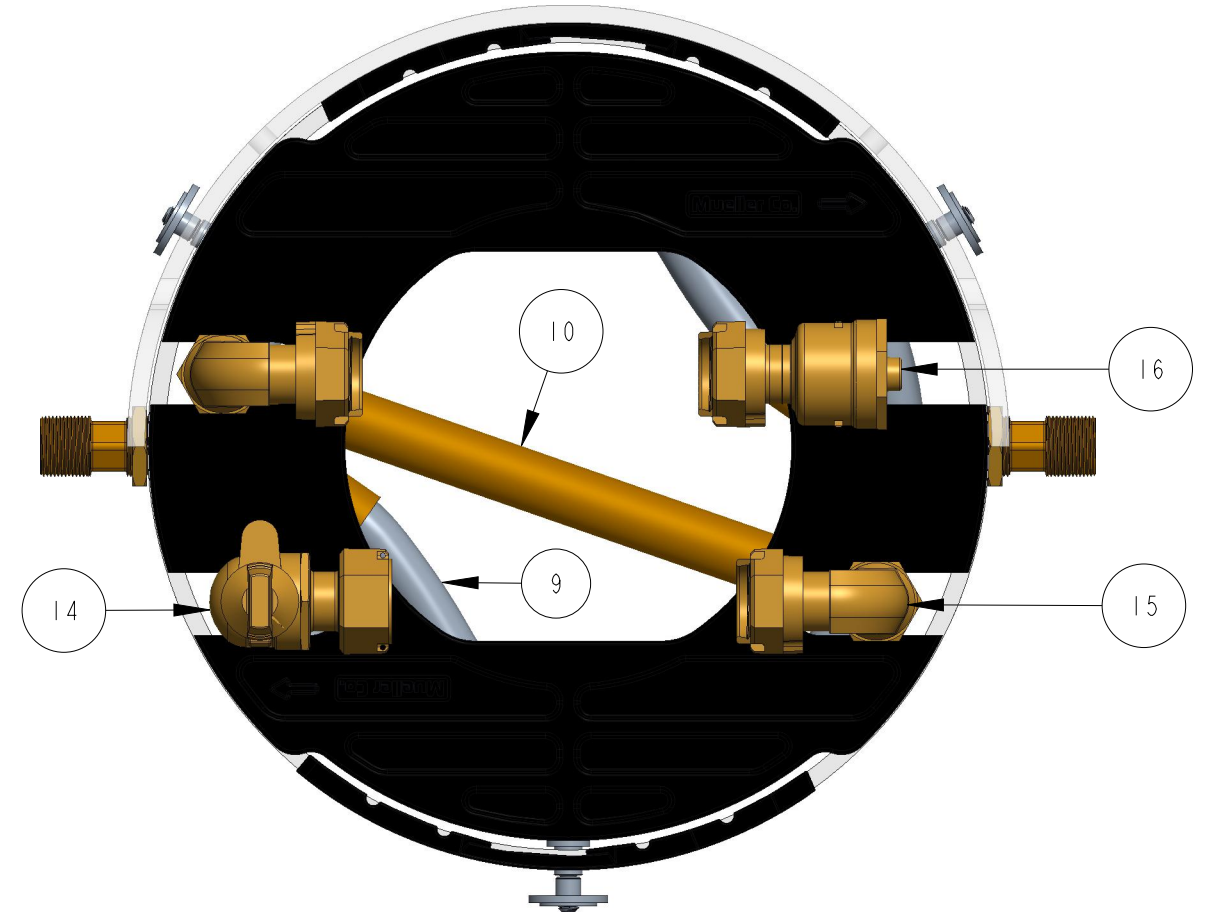


203AT157284FBBS000044N



ITEM NO	PART NUMBER	QTY	DESCRIPTION	MATERIAL
1	282924	1	CAST IRON LID (SOLD SEPERATELY)	CAST IRON
2	311967	1	15-30 ABS PLATFORM	PLASTIC VIRGIN POLYLAC, PA747 ABS BLACK RESIN OR PROOFED EQUIVALENT RESIN
3	545214-1512	1	14" INSIDE CARTRIDGE - 12" RISE	PVC PIPE
4	545216	3	T-NUT	STAINLESS STEEL
5	545217	3	STAINLESS STEEL WASHER	STAINLESS STEEL
6	545218	3	3/8-16 SHOULDER BOLT	STAINLESS STEEL
7	548357_15IN	2	15" & 18" UNIVERSAL BRACKET	INJECTION MOLDED PLASTIC
8	700013_REVE	4	3/4" HOSE CONNECTOR	RED BRASS ASTM B43 ALLOY C23000 O61 TEMPER ANNEALED
9	700035-1590	2	3/4" COIL PART	PB 2110 CL 250 SDR-9
10	700293	1	3/4" U-BAR	RED BRASS ASTM B43 ALLOY C23000 O61 TEMPER ANNEALED
11	790000-1572	1	15" ADJUSTA-COIL ASSEMBLY 72"-84"	SDR-51 PVC PIPE ASTM D2241 GRADE 1120
12	790006	12	3/4" HEX NUT	ASTM B16 ALLOY C36000
13	790022	1	15" INSULATION PAD (SOLD SEPARATELY)	ETHAFOAM 220 WHITE OR POLYLAM 1.7 DENSITY WHITE
14	215B2426550N	1	5/8" X 3/4" FULL PORT BALL VALVE W/ PLAIN NUT	LEAD FREE BRASS ALLOY ASTM B584 C89833/C87850
15	215H14210	2	5/8" X 3/4" METER COUPLING (SWIVEL NUT)	LEAD FREE BRASS ALLOY ASTM B584 C89833/C87850
16	215H14244	1	5/8" X3/4" DUAL CHECK VALVE	LEAD FREE BRASS ALLOY ASTM B584 C89833/C87850



OPTION CODE: 44
 *FOR WATTS SM3-Z6 SUPPLIED BY CUSTOMER

DR. BY	AOD	5/10/21	UNLESS OTHERWISE NOTED	THIRD ANGLE PROJECTION	C.B. NO.
CHKR			BREAK CAST CORNER(S)---		
ENGR			BREAK MACH CORNER(S)---	PURCH.	FINISH
MGR			TOLERANCES	REF. NO.	PATT. NO.
MFG			UNLESS OTHERWISE NOTED	SCALE	
TOOL			LINEAR	ANGULAR	
FDRY			±	±	STR. NO.
MAT'L:					

MUELLER DESCR. 5/8" X 3/4" ADJUSTABLE TANDEM METER PIT 15" DIAMETER X 74-84" DEPTH LEAD FREE BRASS NUMBER 203AT157284FBBS000044N