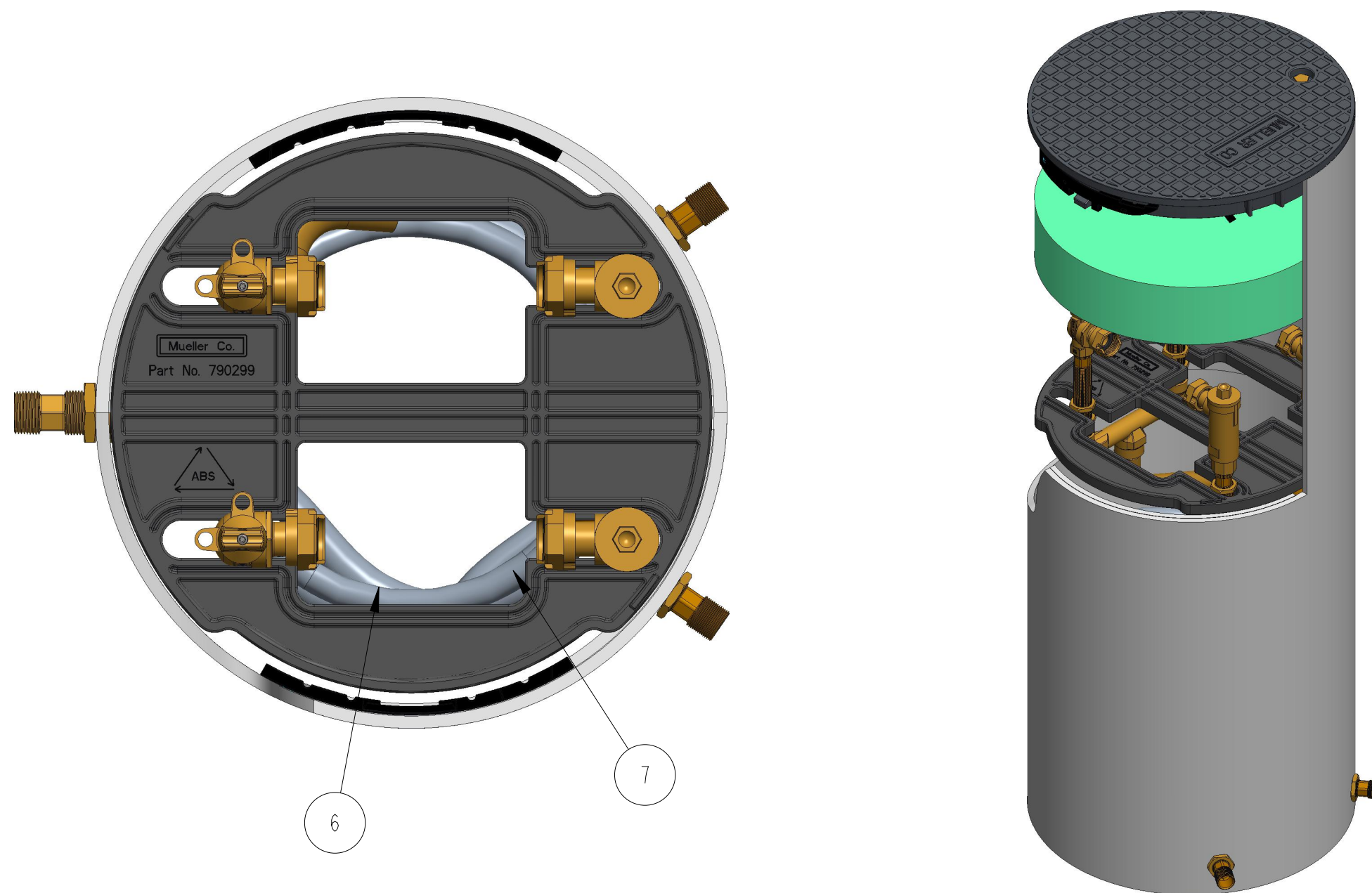


ITEM NO	PART NUMBER	QTY	DESCRIPTION	MATERIAL
1	311955	1	18" DIA SIDE LOCKING COMPOSITE LID (SOLD SEPARATELY)	COMPOSITE MATERIAL
2	548451	1	1" EXTENDED THREADED CONNECTOR	RED BRASS ASTM B43 ALLOY C23000 O61 TEMPER ANNEALED
3	551156	2	3/4" NIPPLE WITH WRENCH FLATS	RED BRASS ASTM B43 ALLOY C23000 O61 TEMPER ANNEALED
4	700013_REVE	4	3/4" HOSE CONNECTOR	RED BRASS ASTM B43 ALLOY C23000 O61 TEMPER ANNEALED
5	700014	1	1" HOSE CONNECTOR	RED BRASS ASTM B43 ALLOY C23000 O61 TEMPER ANNEALED
6	700035-1548	2	3/4" COIL PART	POLYBUTYLENE RESIN BASELL AKOALIT PB4267 OR 4237 GREY
7	700046-1848	1	1" COIL PART	POLYBUTYLENE RESIN BASELL AKOALIT PB4267 OR 4237 GREY
8	780076-1848	1	SHELL SUB ASSEMBLY	SDR-51 PVC PIPE ASTM D2241 GRADE 1120
9	790006	12	3/4" HEX NUT	ASTM B16 ALLOY C36000
10	790010	2	1" HEX NUT	ASTM B16 ALLOY C36000
11	790153	1	18" INSULATION PAD (SOLD SEPARATELY)	ETHAFOAM 220 WHITE OR POLYLAM 1.7 DENSITY WHITE
12	790299_REVC	1	18" COMPOSITE PLATFORM	PASTIC VIRGIN POLYLAC, PA747 ABS BLACK RESIN OR PROOFED EQUIVALENT RESIN
13	215B24265N	2	5/8" X 3/4" FULL PORT BALL VALVE	LEAD FREE BRASS ALLOY ASTM B584 C89833/C87850
14	215HI4460AN	2	5/8" X 3/4" VERTICAL ASSE APPROVED CHECK VALVE	LEAD FREE BRASS ALLOY ASTM B584 C89833/C87850
15	402HI5367N	1	1IN X 3/4IN FIP THREAD U-BRANCH	LEAD FREE BRASS ALLOY ASTM B584 C89833/C87850



DR. BY	AOD	4/10/23	UNLESS OTHERWISE NOTED	THIRD ANGLE PROJECTION	C.B. NO.
CHKR			BREAK CAST CORNER(S)---		
ENGR			BREAK MACH CORNER(S)---	PURCH.	FINISH
MGR			TOLERANCES	REF. NO.	PATT. NO.
MFG			UNLESS OTHERWISE NOTED	SCALE	
TOOL			LINEAR	ANGULAR	
FDRY			±	±	STR. NO.
MAT'L:					
MUELLER			DESCR. 5/8" X 3/4" COIL DOUBLE METER PIT 18" DIA X 48" DEPTH LEAD FREE BRASS	NUMBER 203CD1848FVBSN	