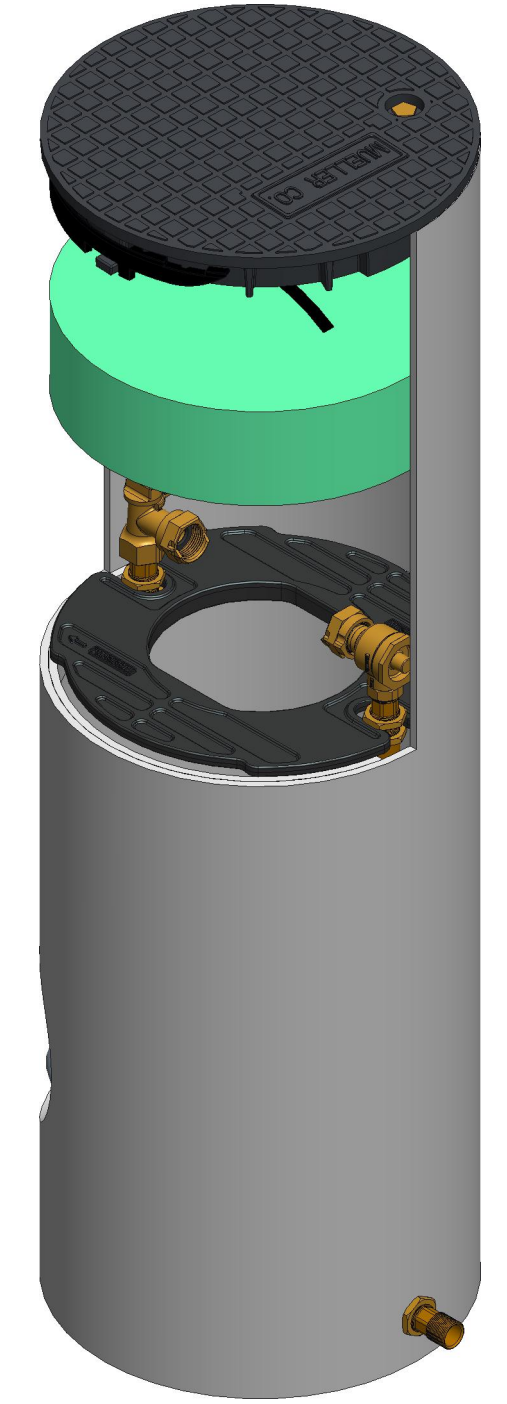
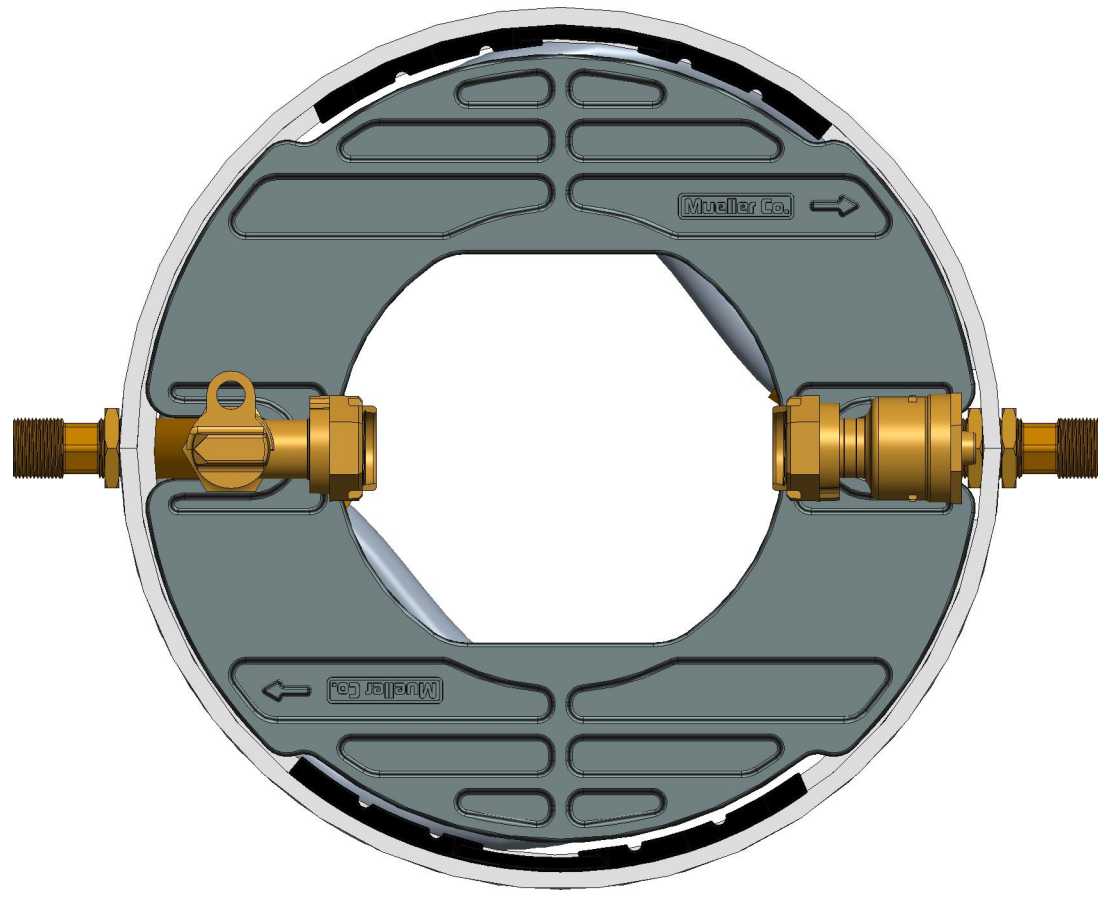


ITEM NO	PART NUMBER	QTY	DESCRIPTION	MATERIAL
1	311954	1	15" COMPOSITE SIDE LOCKING LID (SOLD SEPARATELY)	COMPOSITE
2	311965	1	15-10 ABS PLATFORM	PLASTIC VIRGIN POLYLAC, PA747 ABS BLACK RESIN OR PROOFED EQUIVALENT RESIN
3	700013	4	3/4" HOSE CONNECTOR	RED BRASS ASTM B43 ALLOY C23000 061 TEMPER ANNEALED
4	700035-1548	2	3/4" COIL PART	POLYBUTYLENE RESIN BASELL AKOALIT PB4267 OR 4237 GREY
5	780021-1548	1	SHELL SUB ASSEMBLY	SDR-51 PVC PIPE ASTM D2241 GRADE 1120
6	790006	8	3/4" HEX NUT	ASTM B16 ALLOY C36000
7	790022	1	15" INSULATION PAD (SOLD SEPARATELY)	ETHAFOAM 220 WHITE OR POLYLAM 1.7 DENSITY WHITE
8	215H14244	1	5/8" X3/4" DUAL CHECK VALVE	LEAD FREE BRASS ALLOY ASTM B584 C89833/C87850
9	215H14265	1	3/4" ANGLE LOCK WING METER STOP VALVE	LEAD FREE BRASS ALLOY ASTM B584 C89833/C87850



REVISIONS					
REV	ECR	DESCRIPTION	DRAWN BY	DATE	APPROVED
A		RELEASED	AOS	7/27/21	
B		UPDATED FORMAT, ADDED MATERIAL INFORMATION	AOS	10/15/24	

INTERPRET THIS DRAWING IN ACCORDANCE WITH ASME Y14.5 2018		NAME	DATE	THIRD ANGLE PROJECTION	
UNLESS OTHERWISE SPECIFIED DIMENSIONS ARE IN INCHES. MACHINING TOLERANCES:		DRAWN BY	AOS	July-27-21	
X ±.1	XX ±.015	D.E. APPR.		TITLE:	
XXX ±.005	M.E. APPR.		5/8"X3/4" COIL SINGLE METER PIT		
ANGULAR CORNER BREAK FINISH ±1° .015/.025 125 μin. RA		Q.A. APPR.		15" DIA X 48" DEPTH	
DO NOT SCALE DRAWING		DO NOT SCALE DRAWING		LEAD FREE BRASS	
MATERIAL:		DO NOT SCALE DRAWING		SIZE	DWG. NUMBER
STK NUMBER:		DO NOT SCALE DRAWING		C	203CS1548LBBSN
REF.NO.		DO NOT SCALE DRAWING		SCALE: 0.067	WT:
SHEET 1 OF 1		DO NOT SCALE DRAWING		REV B	

TITLE TO AND OWNERSHIP OF THIS ENGINEERING DATA REMAINS IN Mueller Co. ASSENT ON THE PART OF THE RECIPIENT TO THESE CONDITIONS IS PRESUMED.