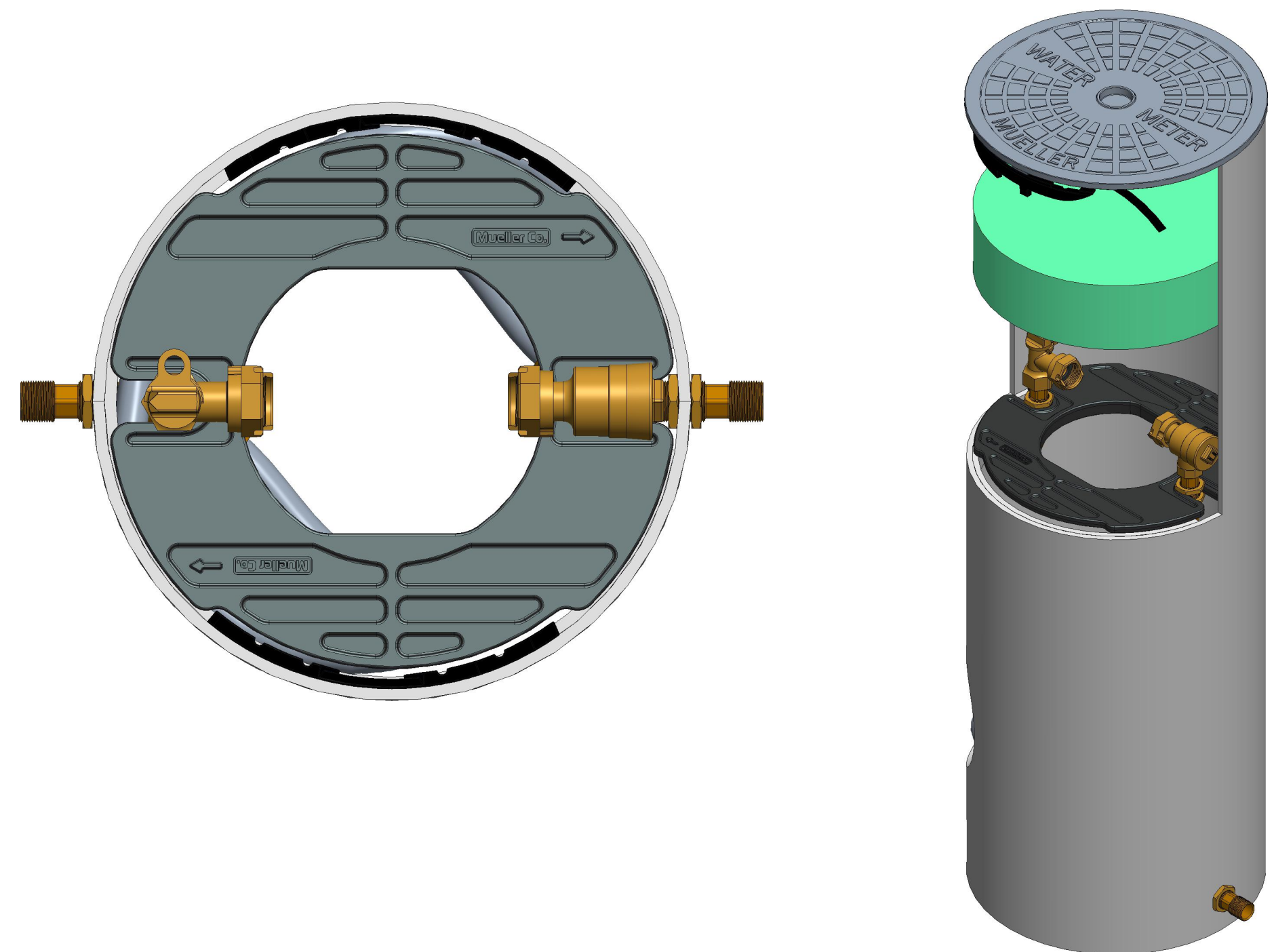


ITEM NO	PART NUMBER	QTY	DESCRIPTION	MATERIAL
1	311965	1	15-10 ABS PLATFORM	PLASTIC VIRGIN POLYLAC, PA747 ABS BLACK RESIN OR PROOFED EQUIVALENT RESIN
2	700013_REVE	4	3/4" HOSE CONNECTOR	RED BRASS ASTM B43 ALLOY C23000 O61 TEMPER ANNEALED
3	700035-1548	2	3/4" COIL PART	POLYBUTYLENE RESIN BASELL AKOALIT PB4267 OR 4237 GREY
4	780021-1548	1	SHELL SUB ASSEMBLY	SDR-51 PVC PIPE ASTM D2241 GRADE 1120
5	790006	8	3/4" HEX NUT	ASTM B16 ALLOY C36000
6	790007	1	15" CAST IRON FLAT LID	CAST IRON ASTM A126 CLASS B
7	790022	1	15" INSULATION PAD (SOLD SEPARATELY)	ETHAFOAM 220 WHITE OR POLYLAM 1.7 DENSITY WHITE
8	215HI4244AN	1	5/8" X 3/4" ASSE DUAL CHECK VALVE	LEAD FREE BRASS ALLOY ASTM B584 C89833/C87850
9	215HI4265	1	3/4" ANGLE BALL VALVE	LEAD FREE BRASS ALLOY ASTM B584 C89833/C87850



DR. BY	AOD	8/25/21	UNLESS OTHERWISE NOTED		THIRD ANGLE PROJECTION		C.B. NO.
CHKR			BREAK CAST CORNER(S)---				
ENGR			BREAK MACH CORNER(S)---		PURCH.	FINISH	PATT. NO.
MGR			TOLERANCES		REF. NO.	SCALE	
MFG			UNLESS OTHERWISE NOTED		STR. NO.		
TOOL			LINEAR	ANGULAR			
FDRY			±	±			
MAT'L:							
			DESCR. 5/8"X3/4" COIL SINGLE METER PIT 15" DIA X 48" DEPTH LOW LEAD BRASS				NUMBER
							203CS1548LSBNN

3/4" NPT INLET AND OUTLET