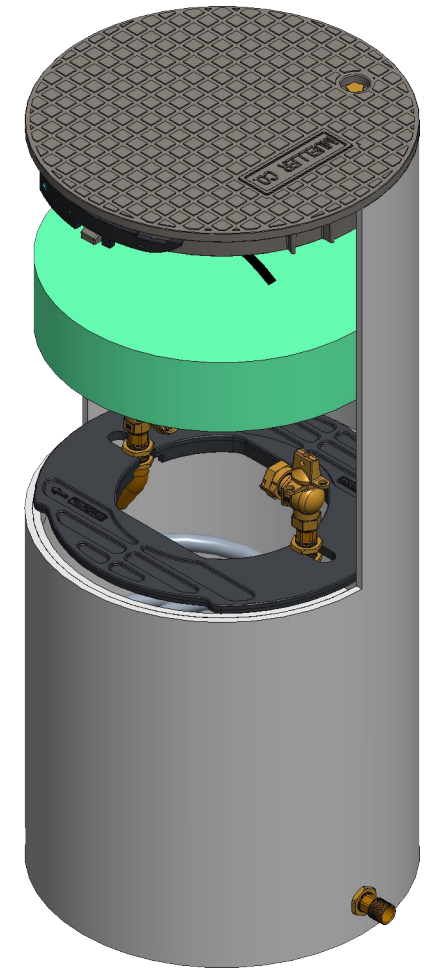
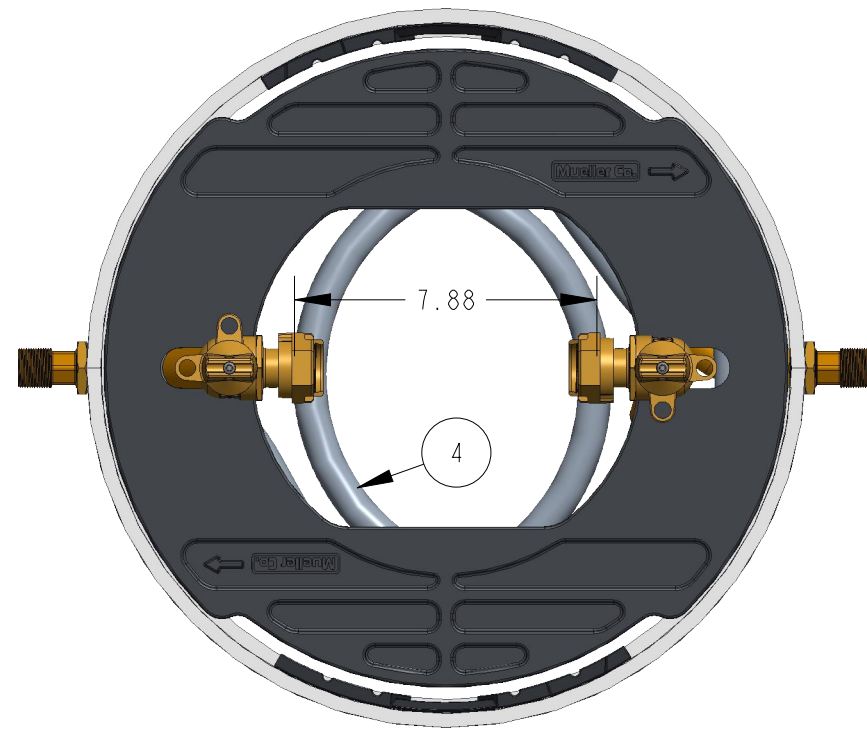
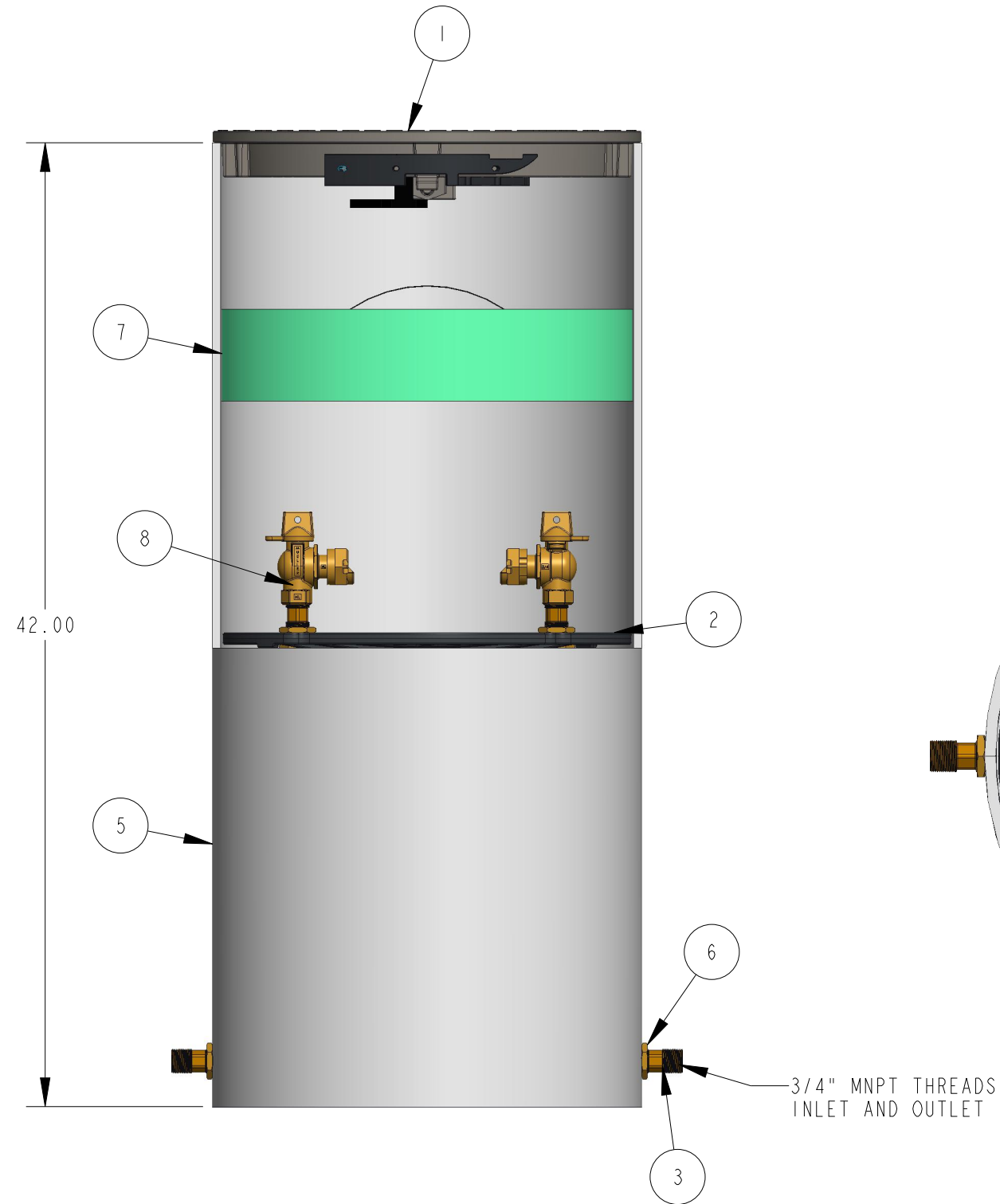


ITEM NO	PART NUMBER	QTY	DESCRIPTION	MATERIAL
1	311955-U	1	18" COMPOSITE LID W/ U BRACKET (SOLD SEPERATELY)	COMPOSITE MATERIAL
2	311981	1	ABS PLATFORM 18-40	PLASTIC VIRGIN POLYLAC, PA747 ABS BLACK RESIN OR PROOFED EQUIVALENT RESIN
3	700013	4	3/4" HOSE CONNECTOR	RED BRASS ASTM B43 ALLOY C23000 O61 TEMPER ANNEALED
4	700035-1542	2	COIL PART	POLYBUTYLENE RESIN BASELL AKOALIT PB4267 OR 4237 GREY
5	780021-1842	1	SHELL SUB ASSEMBLY	SDR-51 PVC PIPE ASTM D2241 GRADE 1120
6	790006	8	3/4" HEX NUT	ASTM B16 ALLOY C36000
7	790153	1	18" INSULATION PAD (SOLD SEPARATELY)	ETHAFOAM 220 WHITE OR POLYLAM 1.7 DENSITY WHITE
8	215B24265N	2	5/8" X 3/4" FULL PORT BALL VALVE	LEAD FREE BRASS ALLOY ASTM B584 C89833/C87850



REVISIONS					
REV	ECR	DESCRIPTION	DRAWN BY	DATE	APPROVED
A		RELEASE	AOD	7/27/21	
B		ADDED MATERIAL INFORMATION	JBK	6/28/24	

INTERPRET THIS DRAWING IN ACCORDANCE WITH ASME Y14.5 2018 UNLESS OTHERWISE SPECIFIED DIMENSIONS ARE IN INCHES. MACHINING TOLERANCES: X ±.1 XX ±.015 XXX ±.005 ANGULAR CORNER BREAK FINISH ±1" .015/.025 125 µin. RA		NAME: AOD DATE: 7/27/21 D.E. APPR. M.E. APPR. Q.A. APPR.	THIRD ANGLE PROJECTION 	
TITLE: 5/8" X 3/4" COIL SINGLE METER PIT 18" DIA X 42" DEPTH LEAD FREE BRASS		DO NOT SCALE DRAWING ○ = CRITICAL () = REFERENCE		
MATERIAL: STK NUMBER:		DWG. NUMBER: 203CS1842FFBSN REF. NO.	SIZE: B SCALE: 0.071	REV: B WT: SHEET 1 OF 1

TITLE TO AND OWNERSHIP OF THIS ENGINEERING DATA REMAINS IN Mueller Co. ASSENT ON THE PART OF THE RECIPIENT TO THESE CONDITIONS IS PRESUMED.