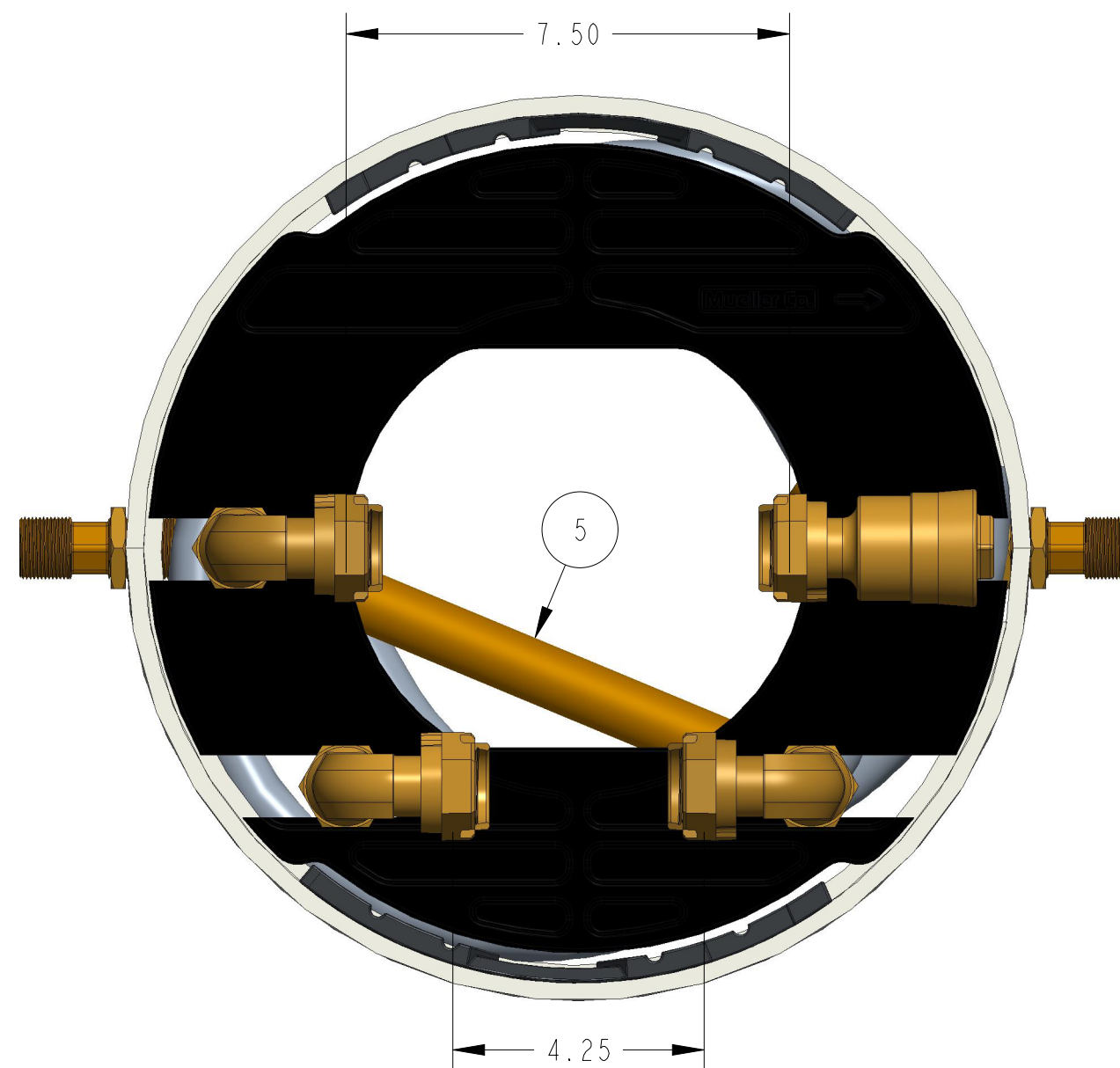


| ITEM NO | PART NUMBER | QTY | DESCRIPTION | MATERIAL |
|---------|-------------|-----|--|---|
| 1 | 311954 | 1 | 15" COMPOSITE SIDE LOCKING LID (SOLD SEPARATELY) | COMPOSITE |
| 2 | 311966 | 1 | 15-20 ABS PLATFORM | PLASTIC VIRGIN POLYLAC, PA747 ABS BLACK RESIN OR PROOFED EQUIVALENT RESIN |
| 3 | 700013_REVE | 4 | 3/4" HOSE CONNECTOR | RED BRASS ASTM B43 ALLOY C23000 O61 TEMPER ANNEALED |
| 4 | 700035-1572 | 2 | 3/4" COIL PART | POLYBUTYLENE RESIN BASELL AKOALIT PB4267 OR 4237 GREY |
| 5 | 700099 | 1 | 3/4" U-BAR | RED BRASS ASTM B43 ALLOY C23000 O61 TEMPER ANNEALED |
| 6 | 780021-1572 | 1 | SHELL SUB ASSEMBLY | SDR-51 PVC PIPE ASTM D2241 GRADE 1120 |
| 7 | 790006 | 12 | 3/4" HEX NUT | ASTM B16 ALLOY C36000 |
| 8 | 790022 | 1 | 15" INSULATION PAD (SOLD SEPARATELY) | ETHAFOAM 220 WHITE OR POLYLAM 1.7 DENSITY WHITE |
| 9 | 215H14210 | 3 | 5/8" X 3/4" METER COUPLING (SWIVEL NUT) | LEAD FREE BRASS ALLOY ASTM B584 C89833/C87850 |
| 10 | 215H14244AN | 1 | 5/8" X 3/4" ASSE DUAL CHECK VALVE | LEAD FREE BRASS ALLOY ASTM B584 C89833/C87850 |



3/4" NPT THREADS INLET AND OUTLET

| | | | | | |
|----------------|-----|---------|---|------------------------|-----------------------|
| DR. BY | AOD | 9/20/22 | UNLESS OTHERWISE NOTED | THIRD ANGLE PROJECTION | C.B. NO. |
| CHKR | | | BREAK CAST CORNER(S)--- | | |
| ENGR | | | BREAK MACH CORNER(S)--- | PURCH. | FINISH |
| MGR | | | TOLERANCES | REF. NO. | SCALE |
| MFG | | | UNLESS OTHERWISE NOTED | STR. NO. | PATT. NO. |
| TOOL | | | LINEAR | ANGULAR | |
| FDRY | | | ± | ± | |
| MAT'L: | | | | | |
| MUELLER | | | DESCR. 5/8" x 3/4" COIL TANDEM METER PIT 15" DIA X 72" DEPTH LOW LEAD BRASS | | NUMBER 203CT1572ASBSN |