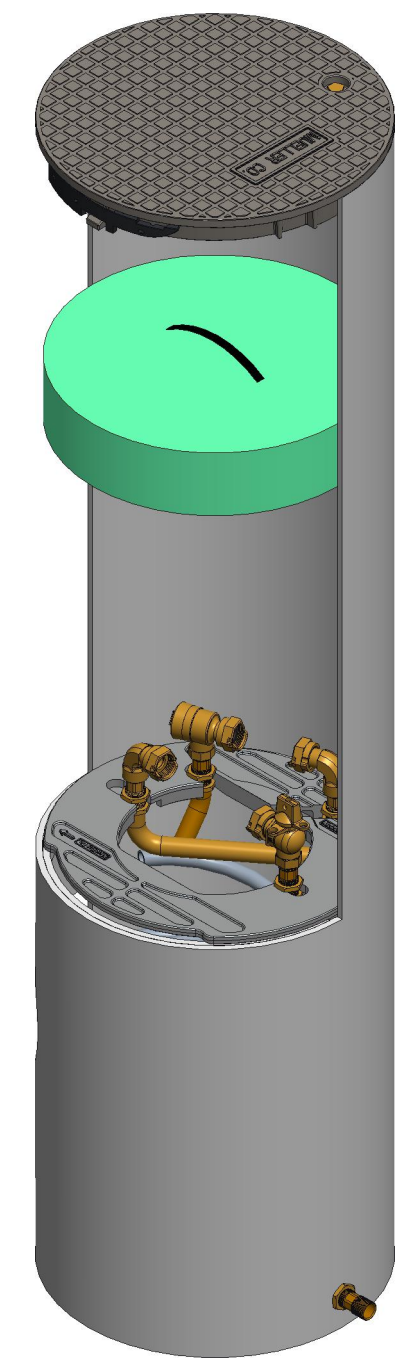
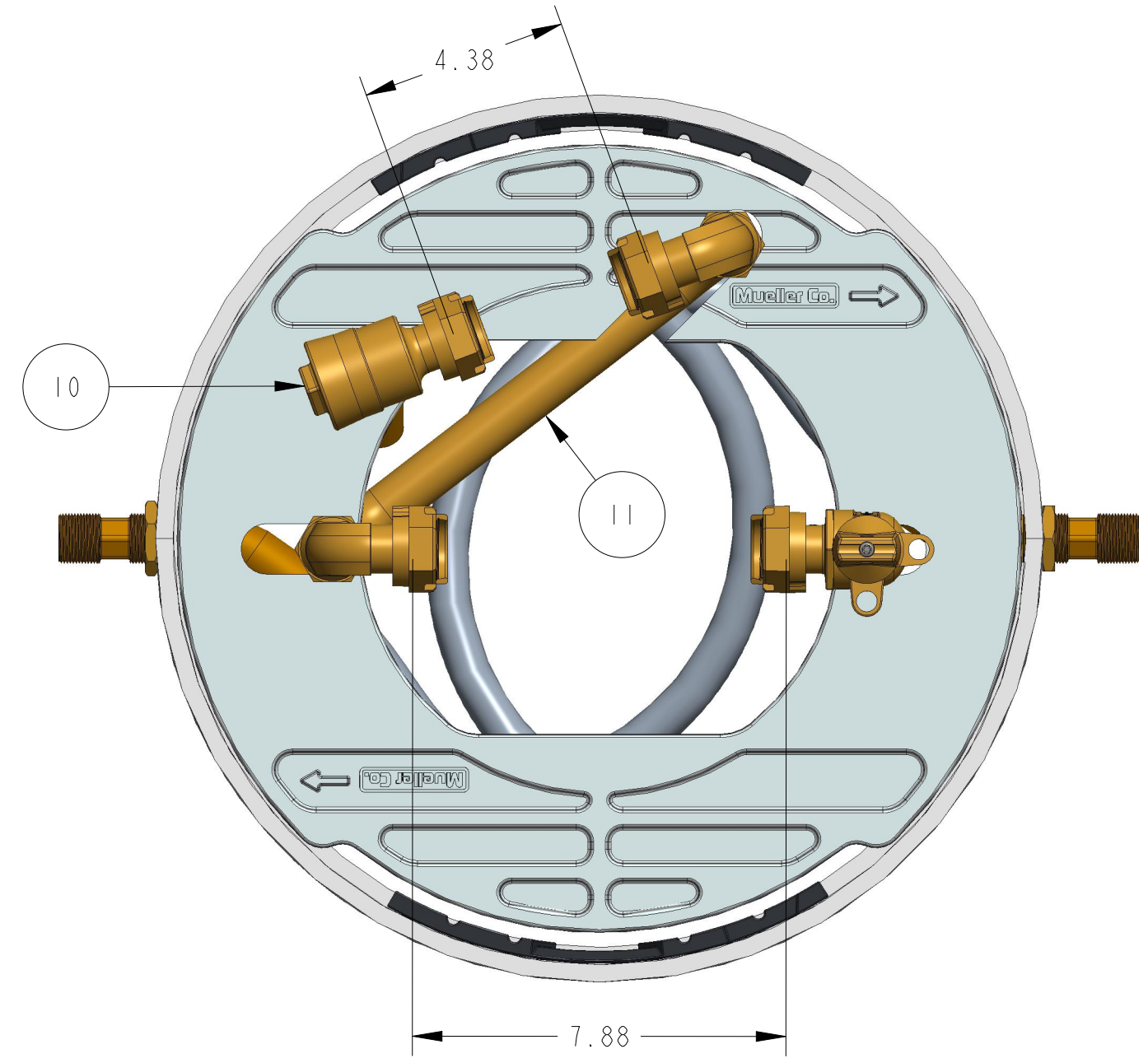


ITEM NO	PART NUMBER	QTY	DESCRIPTION	MATERIAL
1	311955	1	18" DIA SIDE LOCKING COMPOSITE LID (SOLD SEPARATELY)	COMPOSITE MATERIAL
2	311985	1	ABS PLATFORM 18-50	PLASTIC VIRGIN POLYLAC, PA747 ABS BLACK RESIN
3	700013	4	3/4" HOSE CONNECTOR	RED BRASS ASTM B43 ALLOY C23000 061 TEMPER ANNEALED
4	700035-1590	2	3/4" COIL PART	PB 2110 CL 250 SDR-9
5	780021-1872	1	SHELL SUB ASSEMBLY	SDR-51 PVC PIPE ASTM D2241 GRADE 1120
6	790006	12	3/4" HEX NUT	ASTM B16 ALLOY C36000
7	790153	1	18" INSULATION PAD (SOLD SEPARATELY)	ETHAFOAM 220 WHITE OR POLYLAM 1.7 DENSITY WHITE
8	215B24265N	1	5/8" X 3/4" FULL PORT BALL VALVE	LEAD FREE BRASS ALLOY ASTM B584 C89833/C87850
9	215H14210	2	5/8" X 3/4" METER COUPLING (SWIVEL NUT)	LEAD FREE BRASS ALLOY ASTM B584 C89833/C87850
10	215H14244AN	1	5/8" X 3/4" ASSE DUAL CHECK VALVE	LEAD FREE BRASS ALLOY ASTM B584 C89833/C87850
11	250UB1050CL0500	1	3/4" U-BAR	ASTM B43 SEAMLESS RED BRASS C23000 061 TEMPER



REVISIONS					
REV	ECR	DESCRIPTION	DRAWN BY	DATE	APPROVED
A		RELEASED	AOS	8/30/21	
B		REPLACED PLATFORM 311988 WITH 311985; REPLACED U-BAR 700158 WITH 700099	AOS	7/25/23	
C		ROTATED PLATFORM, UPDATED TO SMART PART NUMBERS, UPDATED FORMAT	AOS	8/30/24	

TITLE TO AND OWNERSHIP OF THIS ENGINEERING DATA REMAINS IN Mueller Co. ASSENT ON THE PART OF THE RECIPIENT TO THESE CONDITIONS IS PRESUMED.

INTERPRET THIS DRAWING IN ACCORDANCE WITH ASME Y14.5 2018		NAME	DATE	THIRD ANGLE PROJECTION			
UNLESS OTHERWISE SPECIFIED DIMENSIONS ARE IN INCHES. MACHINING TOLERANCES:		DRAWN BY	AOS	Aug-30-21			
X ±.1	XX ±.015	D.E. APPR.			TITLE: 5/8"X3/4" COIL TANDEM METER PIT 18" DIA X 72" DEPTH LEAD FREE BRASS		
XXX ±.005		M.E. APPR.					
ANGULAR CORNER BREAK FINISH	±1° .015/.025 125 µin. RA	Q.A. APPR.					
MATERIAL:				DO NOT SCALE DRAWING	SIZE	DWG. NUMBER	REV
STK NUMBER:				DO NOT SCALE DRAWING	C	203CT1872FSBSN	C
REF.NO.		SCALE: 0.048		WT:	SHEET 1 OF 1		