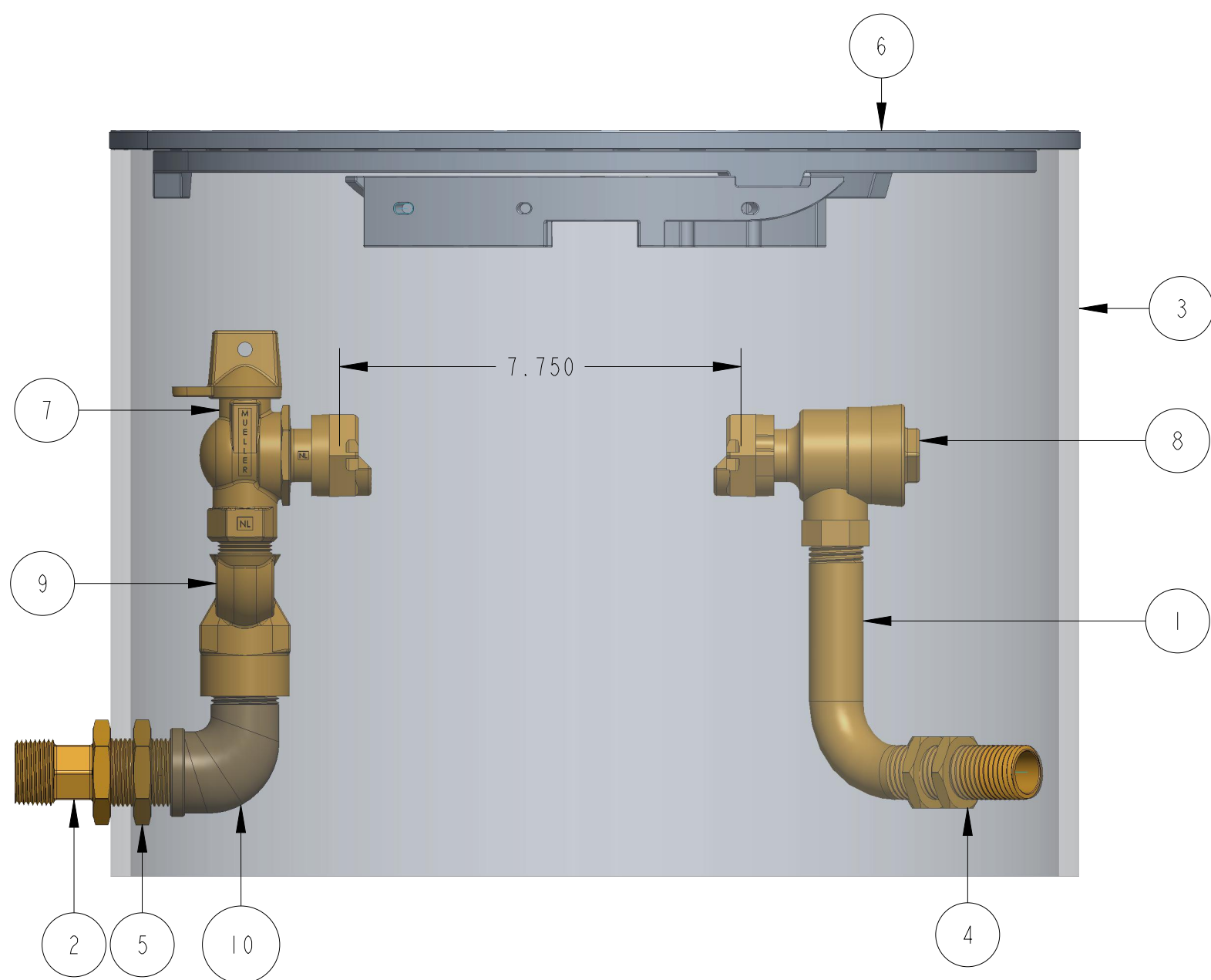
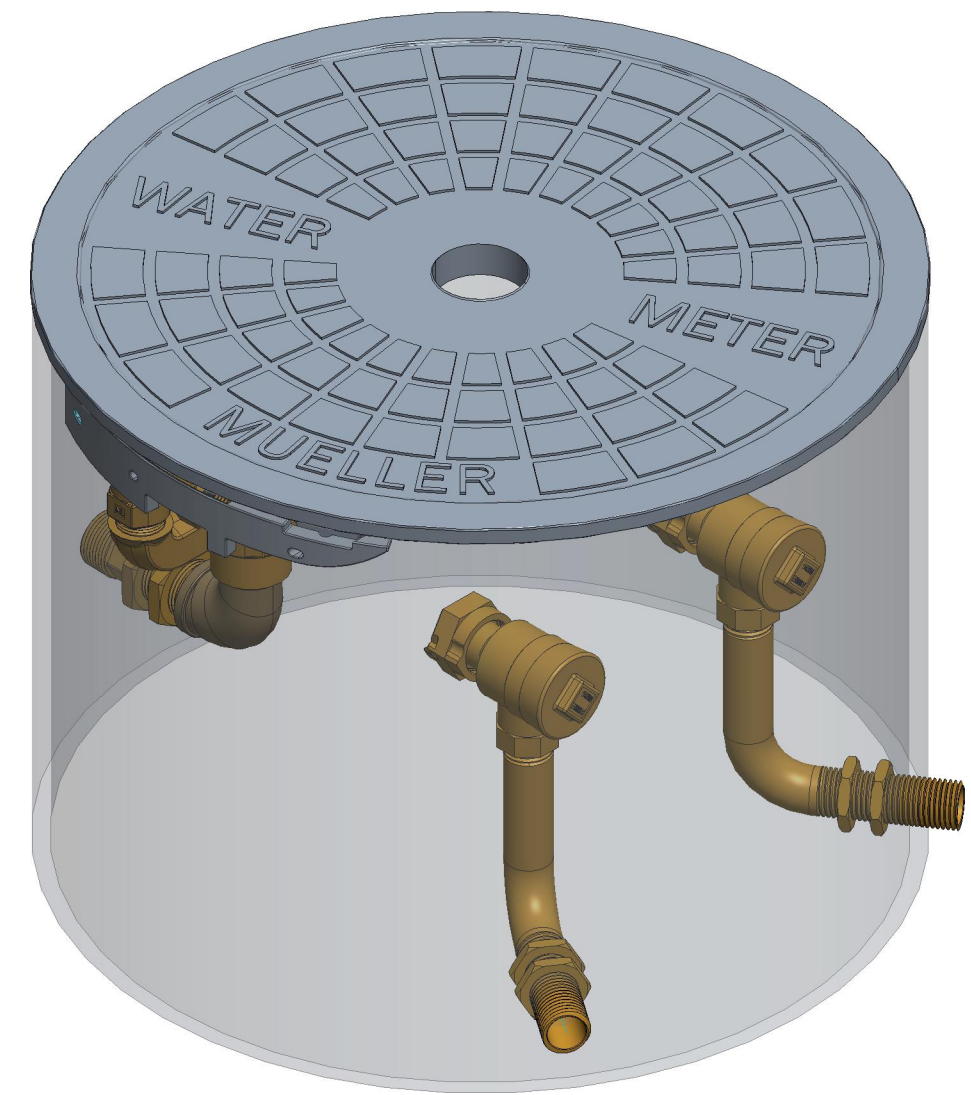
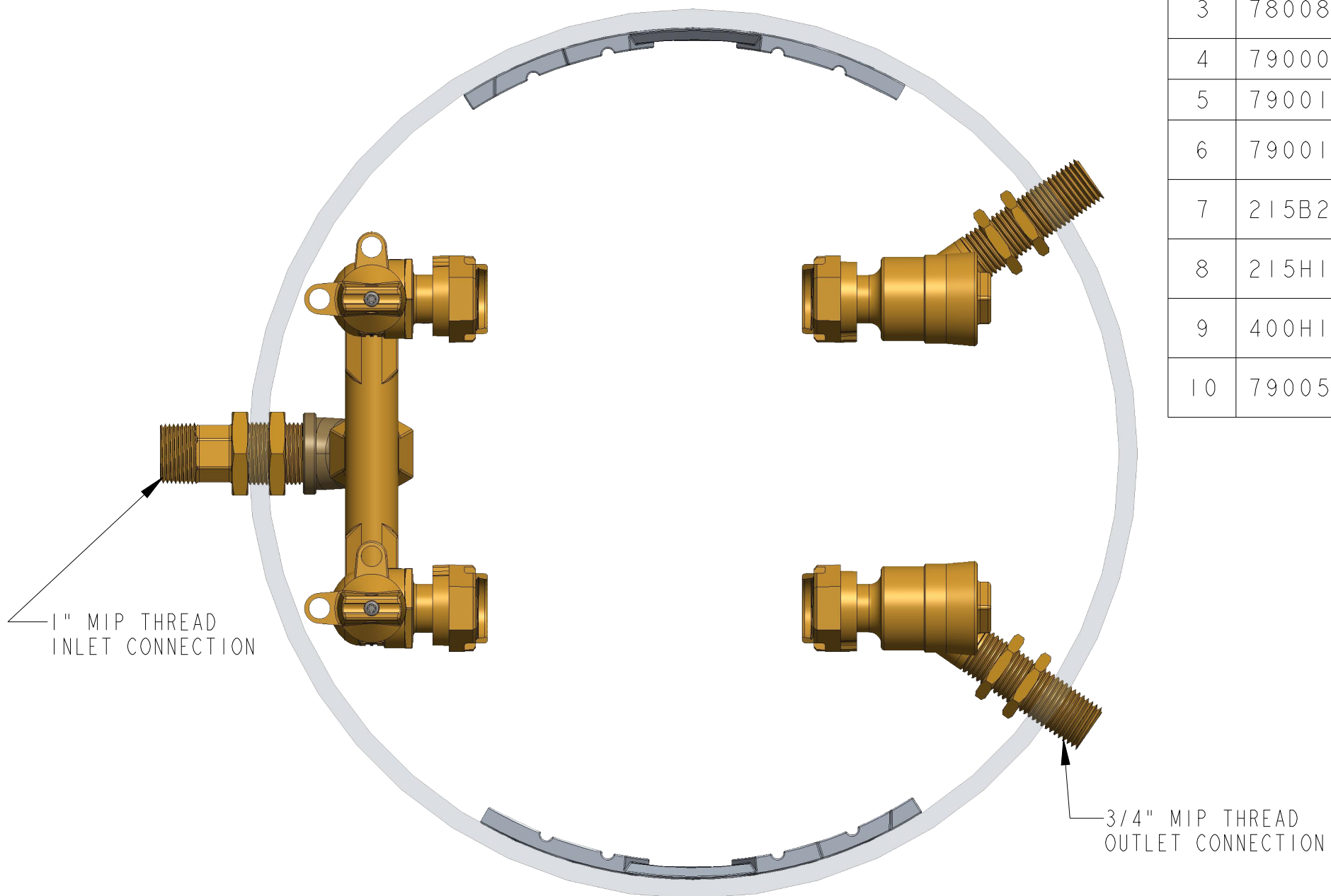


203RD1814FSBN000055N

ITEM NO	PART NUMBER	QTY	DESCRIPTION	MATERIAL
1	548392	2	3/4" BRASS PIPE RISER	RED BRASS ASTM B43 ALLOY C23000 O61 TEMPER ANNEALED
2	700581	1	1" X 3-3/4" NIPPLE WITH FLATS	RED BRASS ASTM B43 ALLOY C23000 O61 TEMPER ANNEALED
3	780084-1814	1	SHELL SUB ASSEMBLY	SDR-51 PVC PIPE ASTM D2241 GRADE 1120
4	790006	4	3/4" HEX NUT	ASTM B16 ALLOY C36000
5	790010	2	1" HEX NUT	ASTM B16 ALLOY C36000
6	790018-TR2	1	18" DIA FLAT NON LOCKING LID W/ 2" TR HOLE (SOLD SEPARATELY)	CAST IRON ASTM A126 CLASS B
7	215B24265N	2	5/8" X 3/4" FULL PORT BALL VALVE	LEAD FREE BRASS ALLOY ASTM B584 C89833/C87850
8	215HI4244AN	2	5/8" X 3/4" ASSE DUAL CHECK VALVE	LEAD FREE BRASS ALLOY ASTM B584 C89833/C87850
9	400HI5365N	1	1" INLET X 3/4" OUTLET U-BRANCH	LEAD FREE BRASS ALLOY ASTM B584 C89833/C87850
10	790052E	1	1" STREET ELBOW	ASTM B584 ALLOY C89520 OR C89833



OPTION CODE: 000055  
 \*(1) 1" INLET & (2) 3/4" OUTLETS

DR. BY	AOD	7/20/21	UNLESS OTHERWISE NOTED		THIRD ANGLE PROJECTION		C.B. NO.
CHKR			BREAK CAST CORNER(S)---				
ENGR			BREAK MACH CORNER(S)---		PURCH.	FINISH	PATT. NO.
MGR			TOLERANCES		REF. NO.	SCALE	
MFG			UNLESS OTHERWISE NOTED				
TOOL			LINEAR	ANGULAR			
FDRY			±	±	STR. NO.		
MAT'L:							
<b>MUELLER</b>			DESCR. 5/8" X 3/4" RIGID DOUBLE METER PIT 18" DIA. X 14" DEPTH LEAD FREE BRASS				NUMBER 203RD1814FSBN000055N