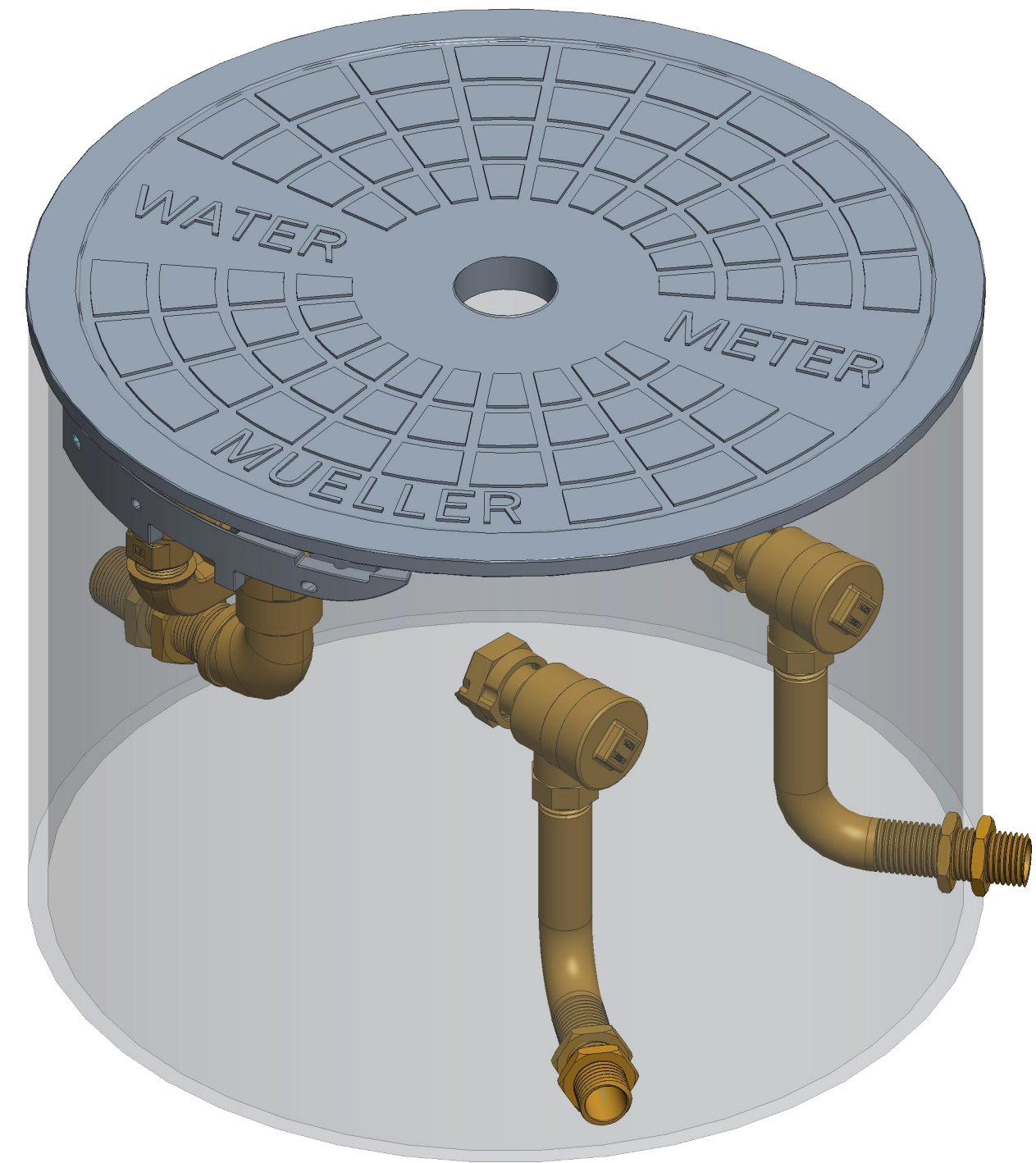
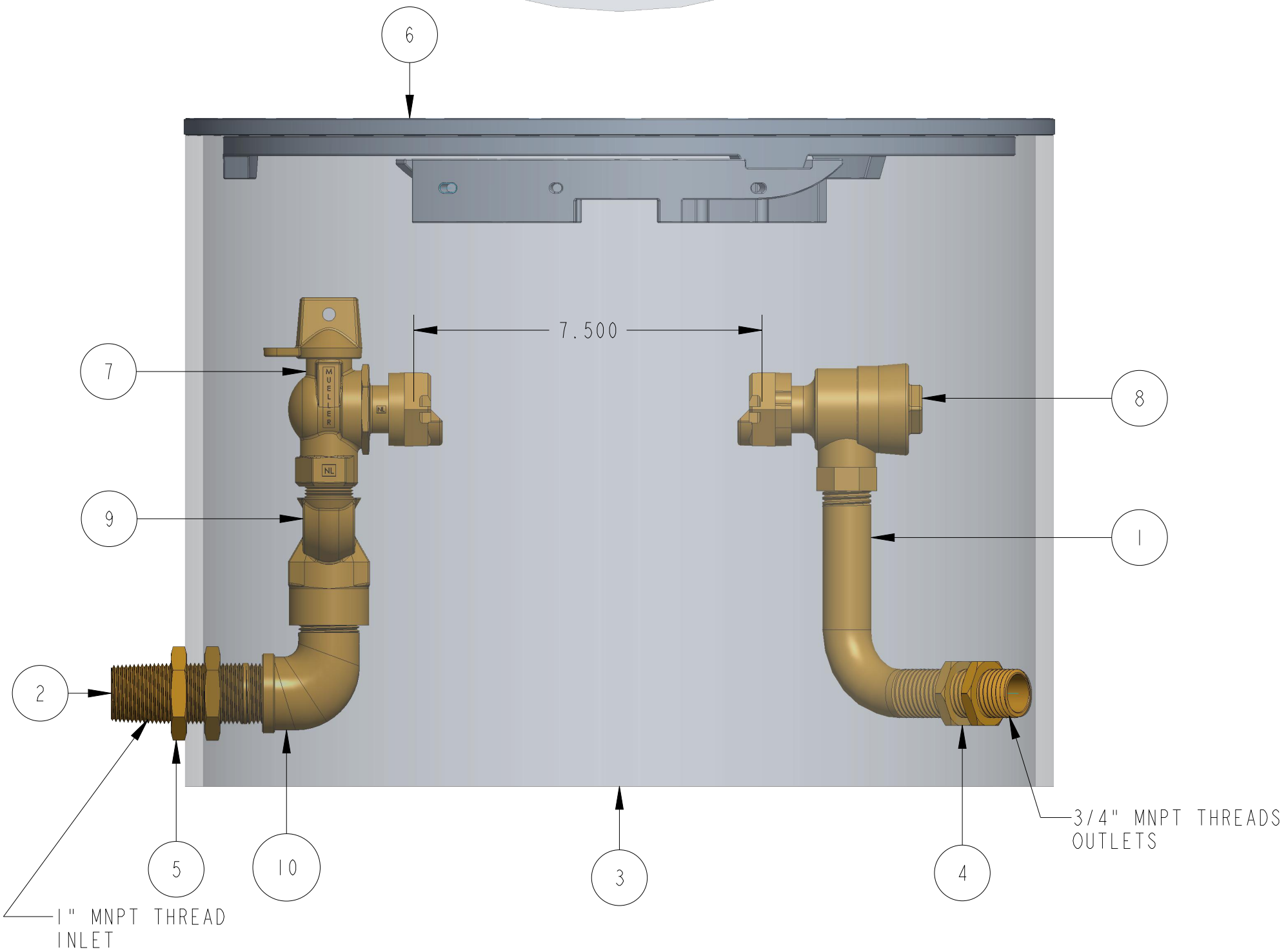
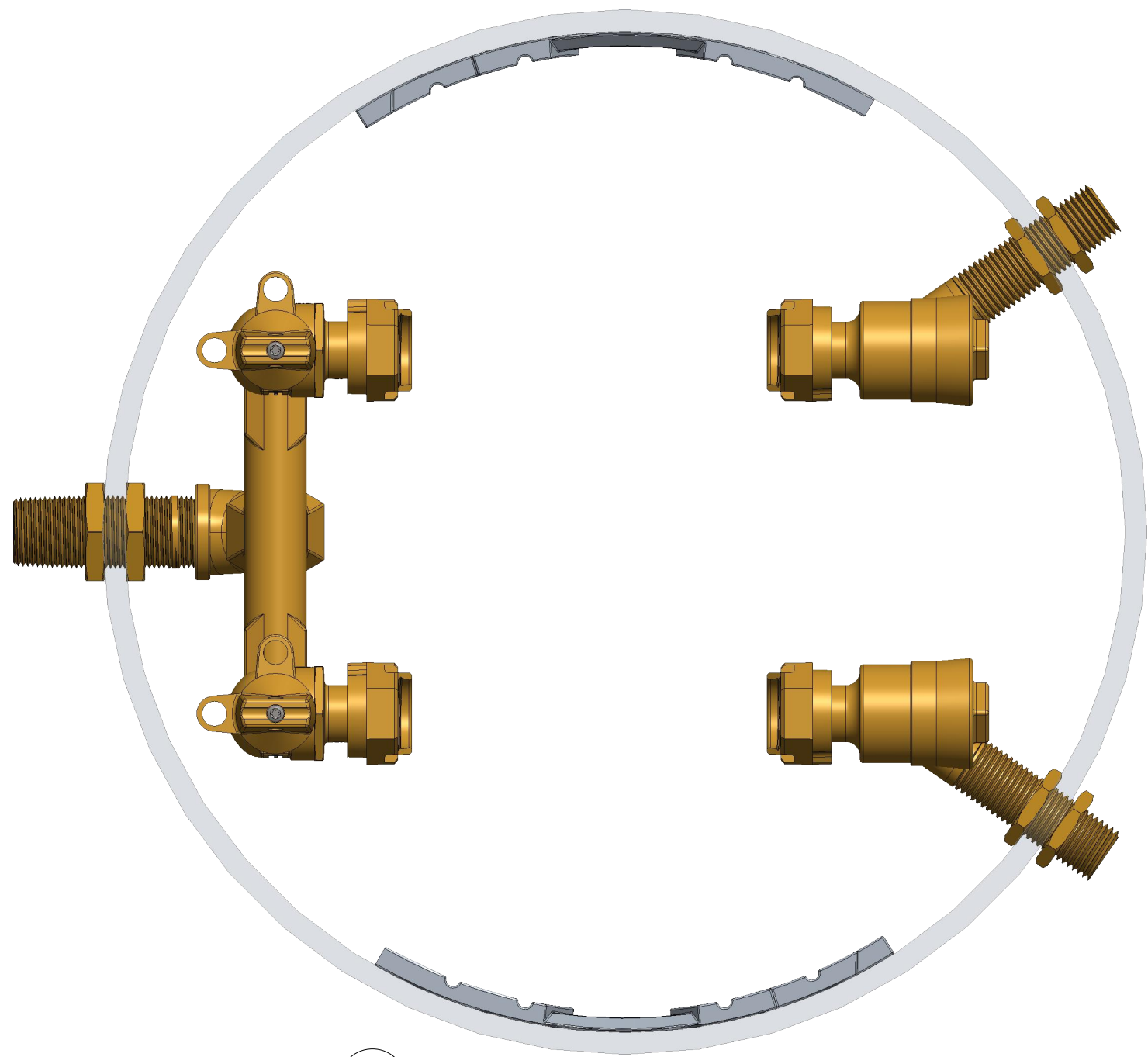


ITEM NO	PART NUMBER	QTY	DESCRIPTION	MATERIAL
1	548392	2	3/4" BRASS PIPE RISER	RED BRASS ASTM B43 ALLOY C23000 O61 TEMPER ANNEALED
2	700172	1	1" NIPPLE	RED BRASS ASTM B43 ALLOY C23000 O61 TEMPER ANNEALED
3	780084-1814	1	SHELL SUB ASSEMBLY	SDR-51 PVC PIPE ASTM D2241 GRADE 1120
4	790006	4	3/4" HEX NUT	ASTM B16 ALLOY C36000
5	790010	2	1" HEX NUT	ASTM B16 ALLOY C36000
6	790018-TR2	1	18" DIA FLAT NON LOCKING LID W/ 2" TR HOLE (SOLD SEPARATELY)	CAST IRON ASTM A126 CLASS B
7	215B24265N	2	5/8" X 3/4" FULL PORT BALL VALVE	LEAD FREE BRASS ALLOY ASTM B584 C89833/C87850
8	215HI4244AN	2	5/8" X 3/4" ASSE DUAL CHECK VALVE	LEAD FREE BRASS ALLOY ASTM B584 C89833/C87850
9	400HI5365N	1	1" INLET X 3/4" OUTLET U-BRANCH	LEAD FREE BRASS ALLOY ASTM B584 C89833/C87850
10	790052E	1	1" STREET ELBOW	ASTM B584 ALLOY C89520 OR C89833



DR. BY	AOD	6/30/22	UNLESS OTHERWISE NOTED	THIRD ANGLE PROJECTION	C.B. NO.
CHKR			BREAK CAST CORNER(S)---		
ENGR			BREAK MACH CORNER(S)---	PURCH.	FINISH
MGR			TOLERANCES	REF. NO.	PATT. NO.
MFG			UNLESS OTHERWISE NOTED	SCALE	
TOOL			LINEAR	ANGULAR	
FDRY			±	±	STR. NO.
MAT'L:					
<b>MUELLER</b>			DESCR: 5/8" X 3/4" RIGID DOUBLE METER PIT 18" DIA X 14" DEPTH LEAD FREE BRASS		NUMBER 203RD1814FSBNN