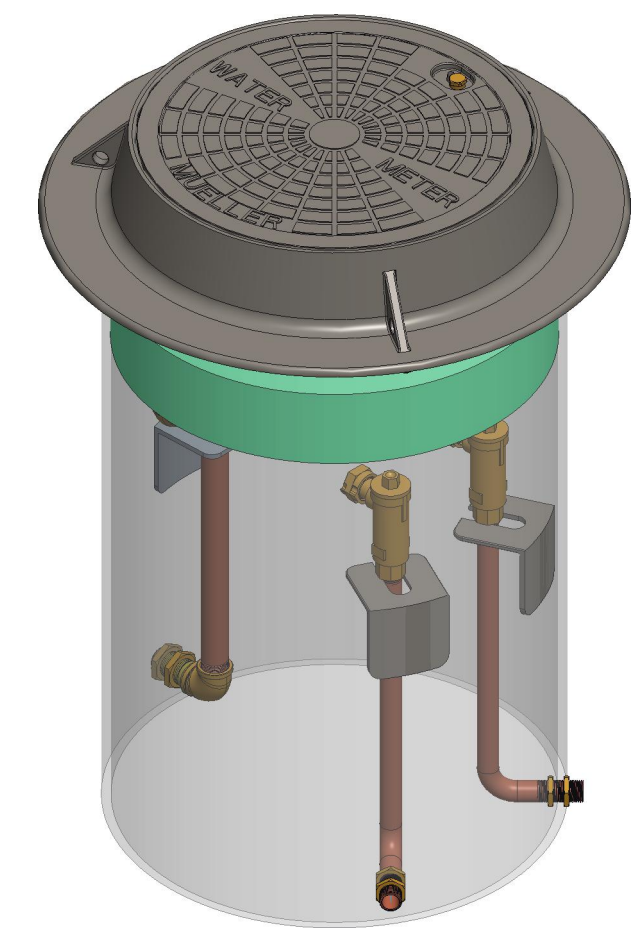
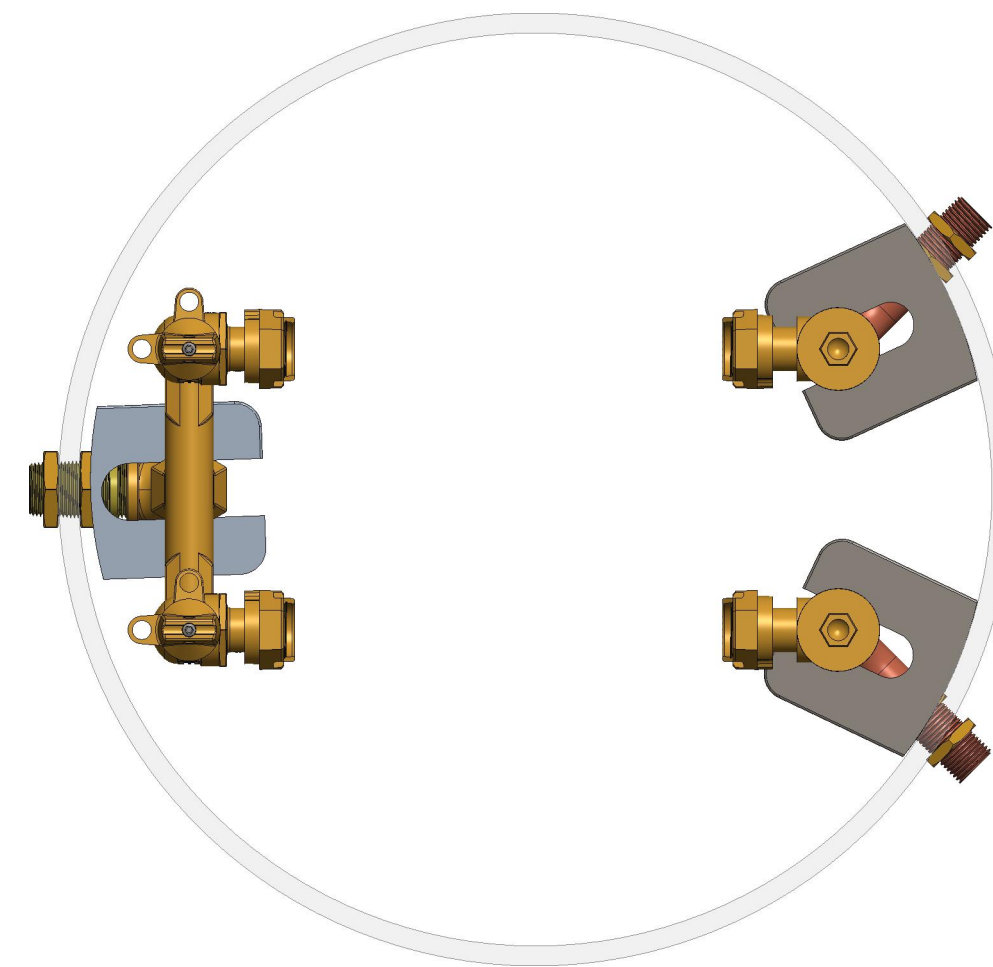
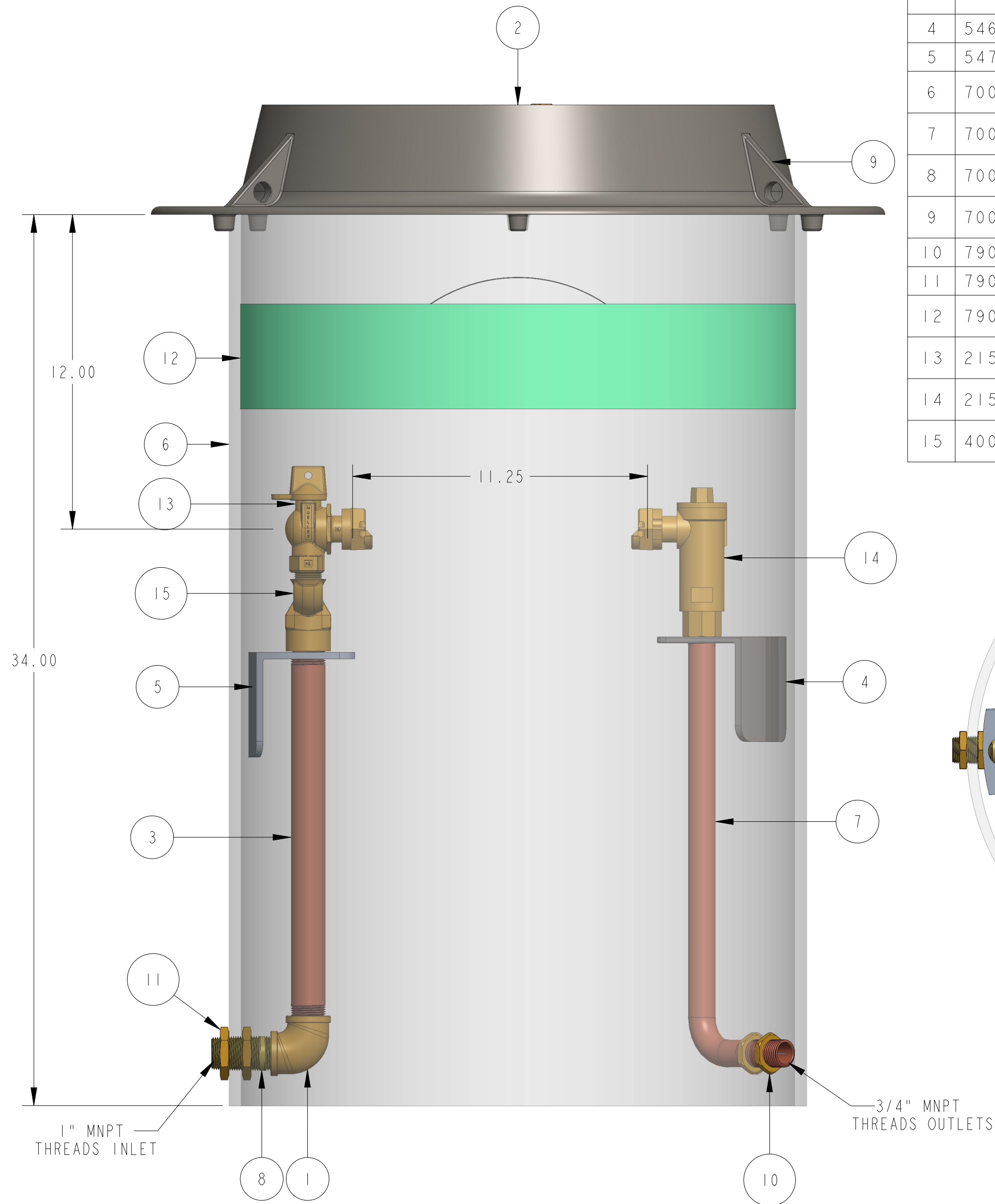


ITEM NO	PART NUMBER	QTY	DESCRIPTION	MATERIAL
1	094987	1	1" FNPT ELBOW	CAST BRONZE ASTM B584 ALLOY C89833
2	282925	1	18" DIA CAST IRON SIDE LOCKING LID (SOLD SEPARATELY)	CAST IRON ASTM A126 CLASS B
3	534796	1	THREADED PIPE 1" X 14"	RED BRASS ASTM B43 ALLOY C23000 O61 TEMPER ANNEALED
4	546396	2	3/4" SUPPORT BRACKET	BLACK PLASTIC ABS
5	547400	1	1" SUPPORT BRACKET	BLACK PLASTIC ABS
6	700051-2134	1	SHELL SUB ASSEMBLY	SDR-51 PVC PIPE ASTM D2241 GRADE 1120
7	700064-1534	2	RISER CONNECTOR	RED BRASS ASTM B43 ALLOY C23000 O61 TEMPER ANNEALED
8	700067	1	NIPPLE 1" X 3"	RED BRASS ASTM B43 ALLOY C23000 O61 TEMPER ANNEALED
9	700098-1	1	CAST IRON FRAME (PURCHASED SEPARATELY)	CAST IRON ASTM A48 CLASS 25A
10	790006	4	3/4" HEX NUT	ASTM B16 ALLOY C36000
11	790010	2	1" HEX NUT	ASTM B16 ALLOY C36000
12	790119	1	21" X 4" INSULATION PAD (SOLD SEPARATELY)	ETHAFOAM 220 WHITE
13	215B24265N	2	5/8" X 3/4" FULL PORT BALL VALVE	LEAD FREE BRASS ALLOY ASTM B584 C89833/C87850
14	215HI4460AN	2	5/8" X 3/4" VERTICAL ASSE APPROVED CHECK VALVE	LEAD FREE BRASS ALLOY ASTM B584 C89833/C87850
15	400HI5365N	1	1" INLET X 3/4" OUTLET U-BRANCH	LEAD FREE BRASS ALLOY ASTM B584 C89833/C87850



DR. BY	AOD	4/20/21	UNLESS OTHERWISE NOTED		THIRD ANGLE PROJECTION		C.B. NO.
CHKR			BREAK CAST CORNER(S)---				
ENGR			BREAK MACH CORNER(S)---		PURCH.	FINISH	PATT. NO.
MGR			TOLERANCES		REF. NO.	SCALE	
MFG			UNLESS OTHERWISE NOTED				
TOOL			LINEAR	ANGULAR			
FDRY			±	±	STR. NO.		
MAT'L:							
<b>MUELLER</b>			DESCR 5/8" X 3/4" RIGID DOUBLE METER PIT 21" DIA X 34" DEPTH LEAD FREE BRASS			NUMBER 203RD2134FVBNN	