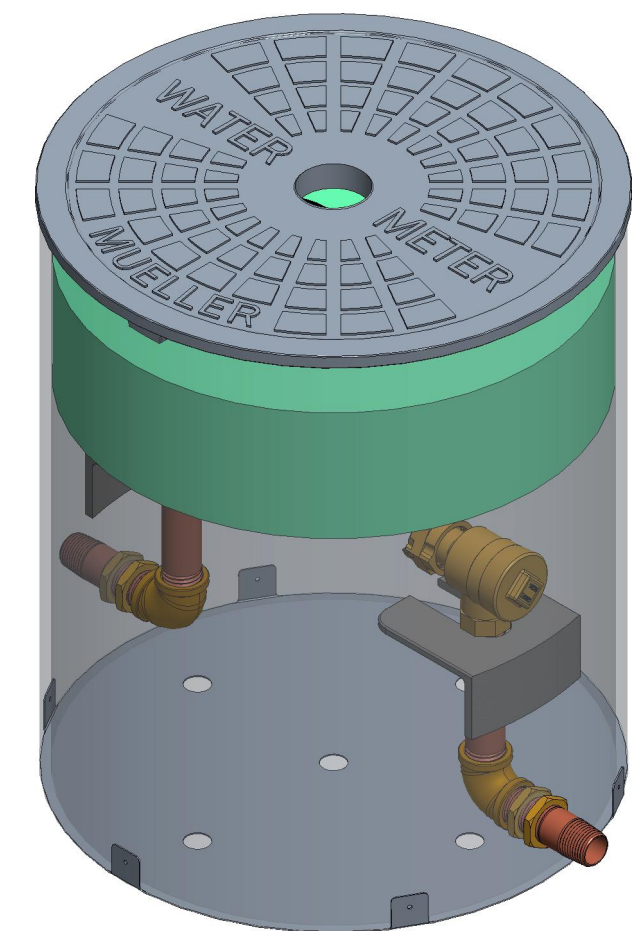
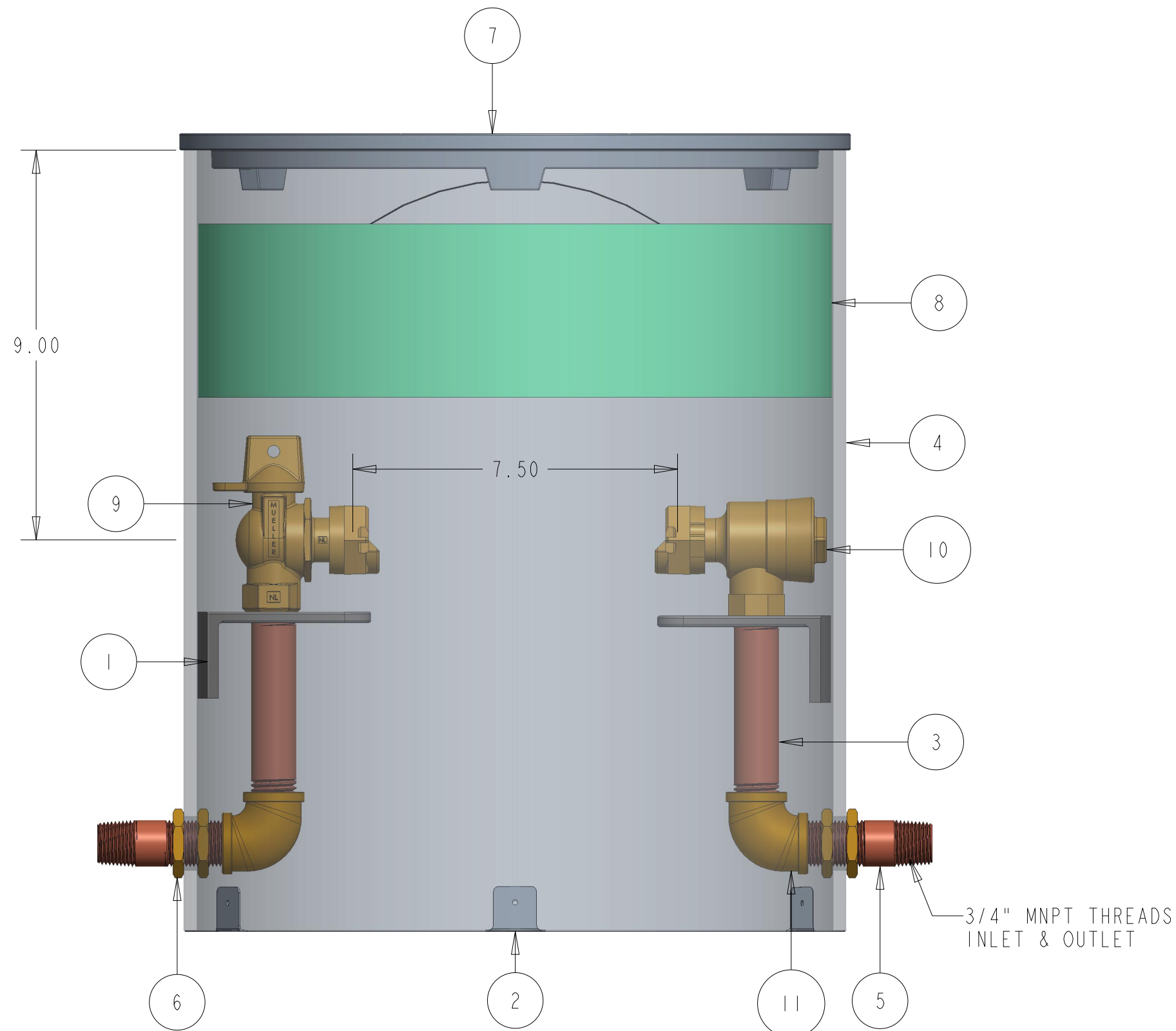


ITEM NO	PART NUMBER	QTY	DESCRIPTION	MATERIAL
1	546396_TRIMMED	2	SUPPORT BRACKET	BLACK PLASTIC ABS
2	548204-HOLES	1	METAL BOTTOM (OPTIONAL)	SHEET METAL
3	548360	2	3/4" X 5-1/4" PIPE PART	RED BRASS ASTM B43 ALLOY C23000 O61 TEMPER ANNEALED
4	700001-1518	1	SHELL SUB ASSEMBLY	SDR-51 PVC PIPE ASTM D2241 GRADE 1120
5	700026	2	3/4" BULKHEAD NIPPLE	RED BRASS ASTM B43 ALLOY C23000 O61 TEMPER ANNEALED
6	790006	4	3/4" HEX NUT	ASTM B16 ALLOY C36000
7	790007-TR2	1	15" FLAT LID W/ 2" TR HOLE (SOLD SEPARATELY)	CAST IRON ASTM A126 CLASS B
8	790022	1	15" INSULATION PAD (SOLD SEPARATELY)	ETHAFOAM 220 WHITE OR POLYLAM 1.7 DENSITY WHITE
9	215B24265N	1	5/8" X 3/4" FULL PORT BALL VALVE	LEAD FREE BRASS ALLOY ASTM B584 C89833/C87850
10	215HI4244AN	1	5/8" X 3/4" ASSE DUAL CHECK VALVE	LEAD FREE BRASS ALLOY ASTM B584 C89833/C87850
11	790026E	2	3/4" FNPT THREADED ELBOW	LEAD FREE BRASS ASTM B584 C89833



OPT000680: OPT000675 (3/4" DRAINAGE HOLES) & LESS UNIVERSAL BRACKET				
DR. BY	BBF	11/26/18	UNLESS OTHERWISE NOTED	THIRD ANGLE PROJECTION
CHKR			BREAK CAST CORNER(S)---	
ENGR			BREAK MACH CORNER(S)---	PURCH. FINISH
MGR			TOLERANCES	REF. NO. SCALE
MFG			UNLESS OTHERWISE NOTED	STR. NO.
TOOL			LINEAR ANGULAR	
FDRY			± ±	
MATERIAL:		DESCR. 5/8" X 3/4" RIGID SINGLE METER PIT 15" DIA X 18" DEPTH LEAD FREE BRASS		NUMBER 203RS1518FSAN000680N
MUELLER				