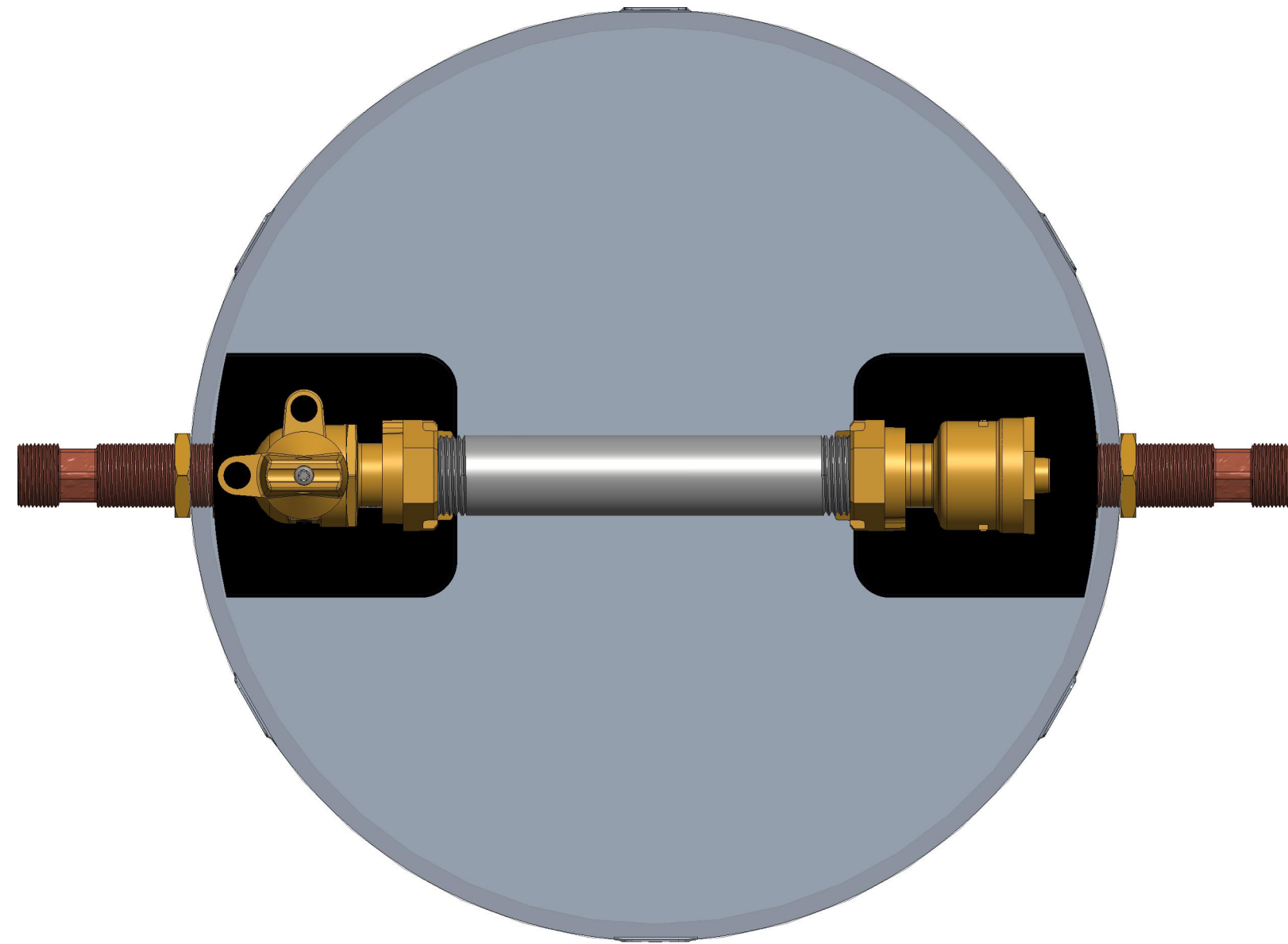
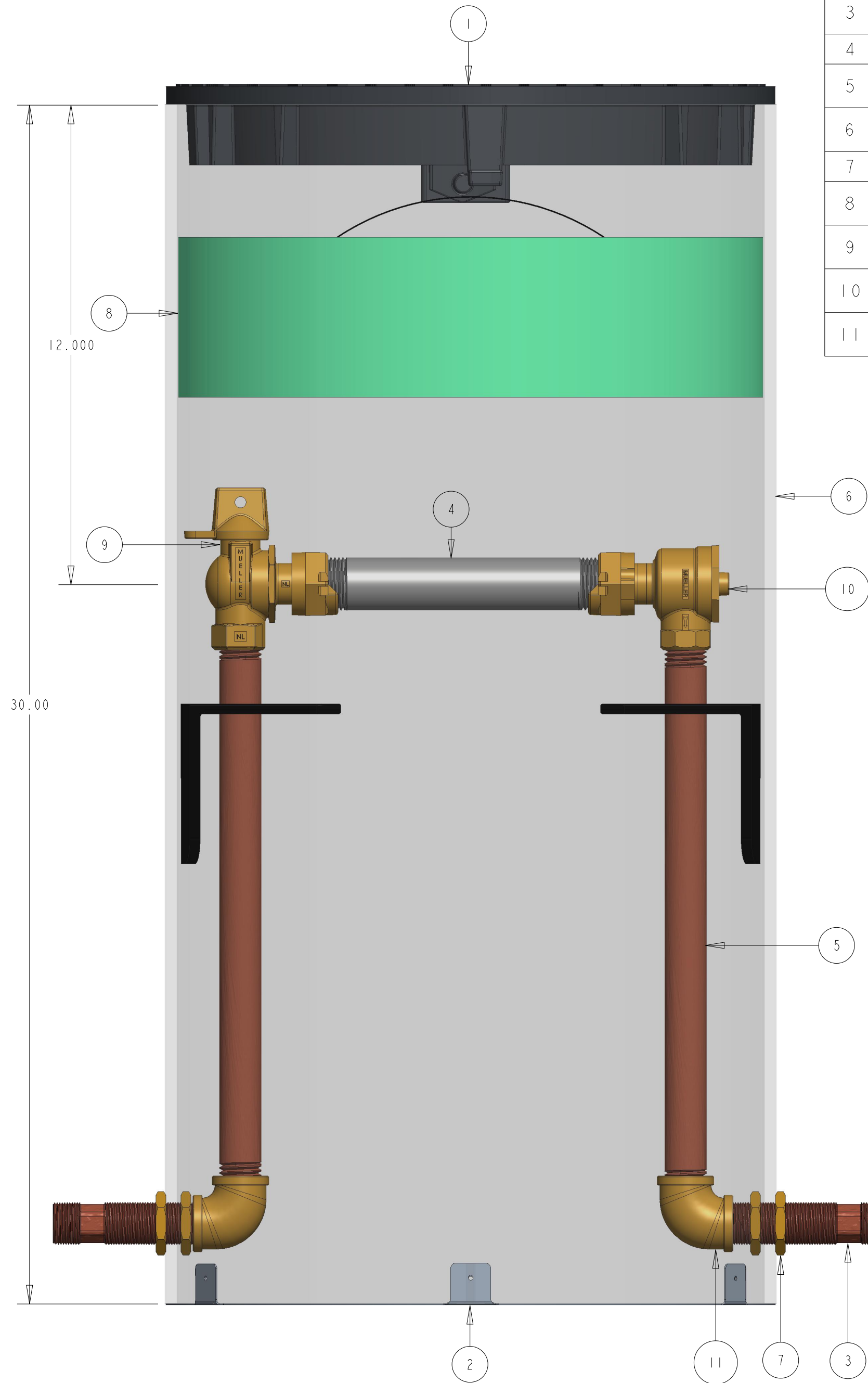


203RS1530FBAS000237N

ITEM NO	PART NUMBER	QTY	DESCRIPTION	MATERIAL
1	311954	1	15" COMPOSITE SIDE LOCKING LID (SOLD SEPARATELY)	COMPOSITE
2	548204	1	STAINLESS STEEL BOTTOM (OPTIONAL)	STAINLESS STEEL
3	700131	2	3/4" NIPPLE WITH WRENCH FLATS	RED BRASS ASTM B43 ALLOY C23000 O61 TEMPER ANNEALED
4	700220	1	5/8" X 3/4" METER JUMPER	SCH 80 PVC PIPE
5	700265	2	RISER	RED BRASS ASTM B43 ALLOY C23000 O61 TEMPER ANNEALED
6	780077-1530	1	SHELL SUB ASSEMBLY	SDR-51 PVC PIPE ASTM D2241 GRADE 1120
7	790006	4	3/4" HEX NUT	ASTM B16 ALLOY C36000
8	790022	1	15" INSULATION PAD (SOLD SEPARATELY)	ETHAFOAM 220 WHITE OR POLYLAM 1.7 DENSITY WHITE
9	215B24265N	1	5/8" X 3/4" FULL PORT BALL VALVE	LEAD FREE BRASS ALLOY ASTM B584 C89833/C87850
10	215H14244	1	5/8" X3/4" DUAL CHECK VALVE	LEAD FREE BRASS ALLOY ASTM B584 C89833/C87850
11	790026E	2	3/4" FNPT THREADED ELBOW	LEAD FREE BRASS ASTM B584 C89833

*NOTE: ORDER P/N 203RS1530FBBS000237N FOR NO METAL BOTTOM ATTACHED.



OPTION CODE: 000237
*12" CENTERLINE FROM TOP OF SHELL

DR. BY	BBF	4/27/18	UNLESS OTHERWISE NOTED	THIRD ANGLE PROJECTION	C.B. NO.
CHKR			BREAK CAST CORNER(S)---		
ENGR			BREAK MACH CORNER(S)---	PURCH.	FINISH
MGR			TOLERANCES	REF. NO.	SCALE
MFG			UNLESS OTHERWISE NOTED	STR. NO.	
TOOL			LINEAR	ANGULAR	
FDRY			±	±	
MAT'L:					
MUELLER			DESCR. 5/8"X3/4" RIGID SINGLE METER PIT 15" DIA X 30" DEPTH LEAD FREE BRASS		NUMBER 203RS1530FBAS000237N