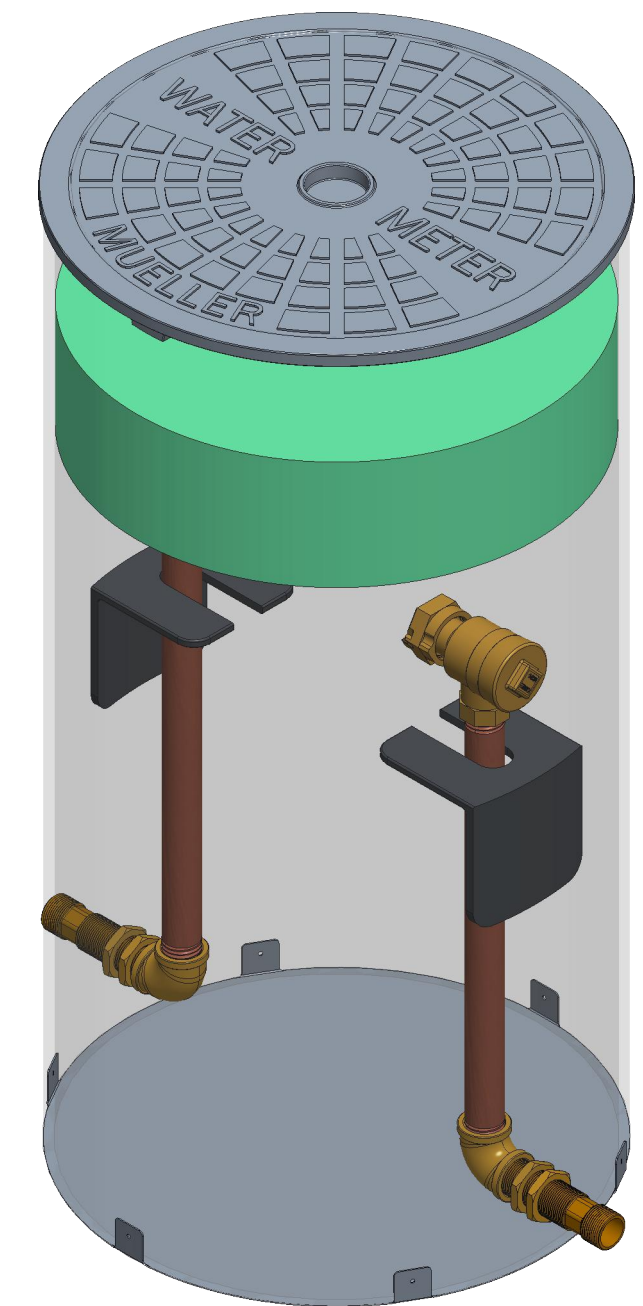
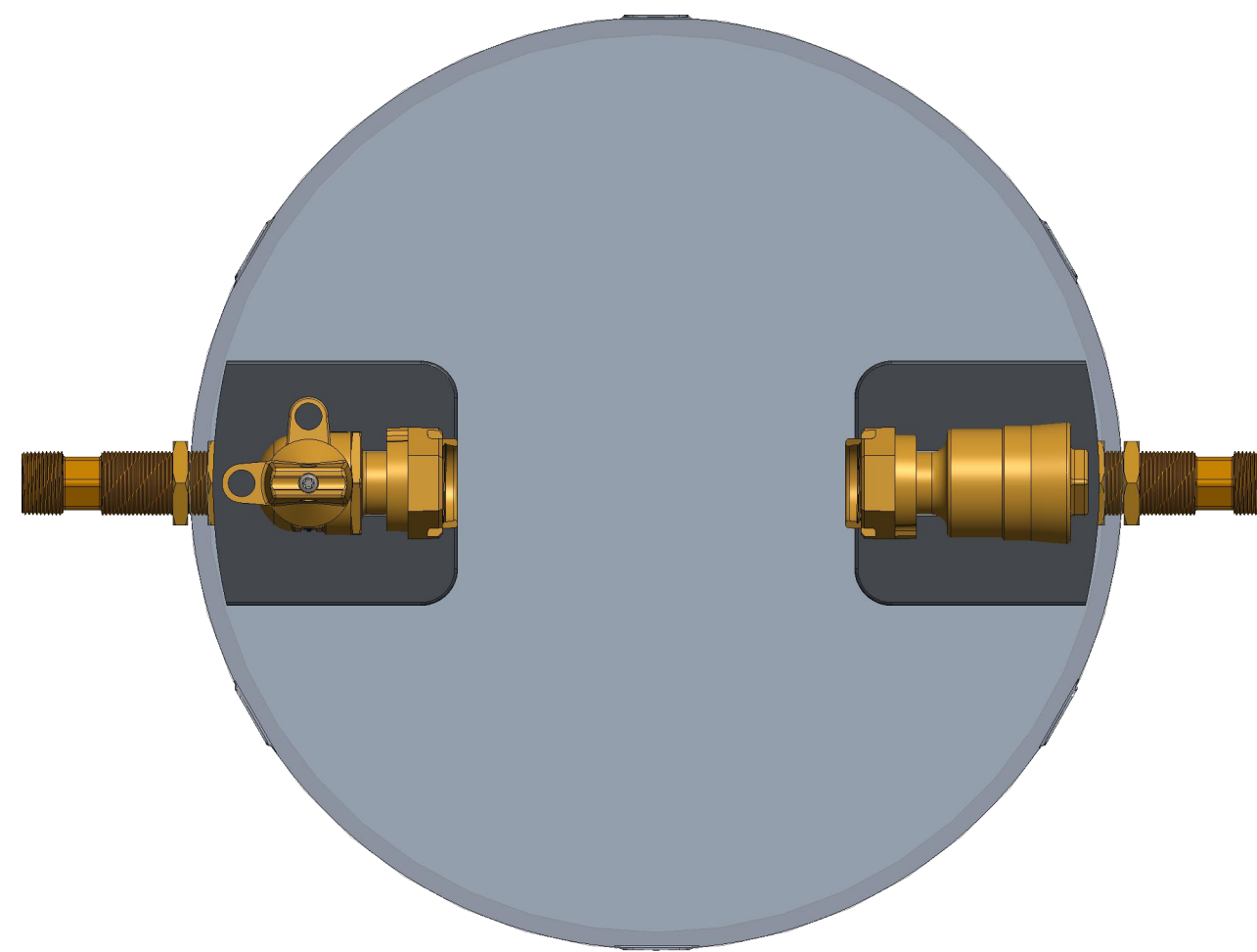
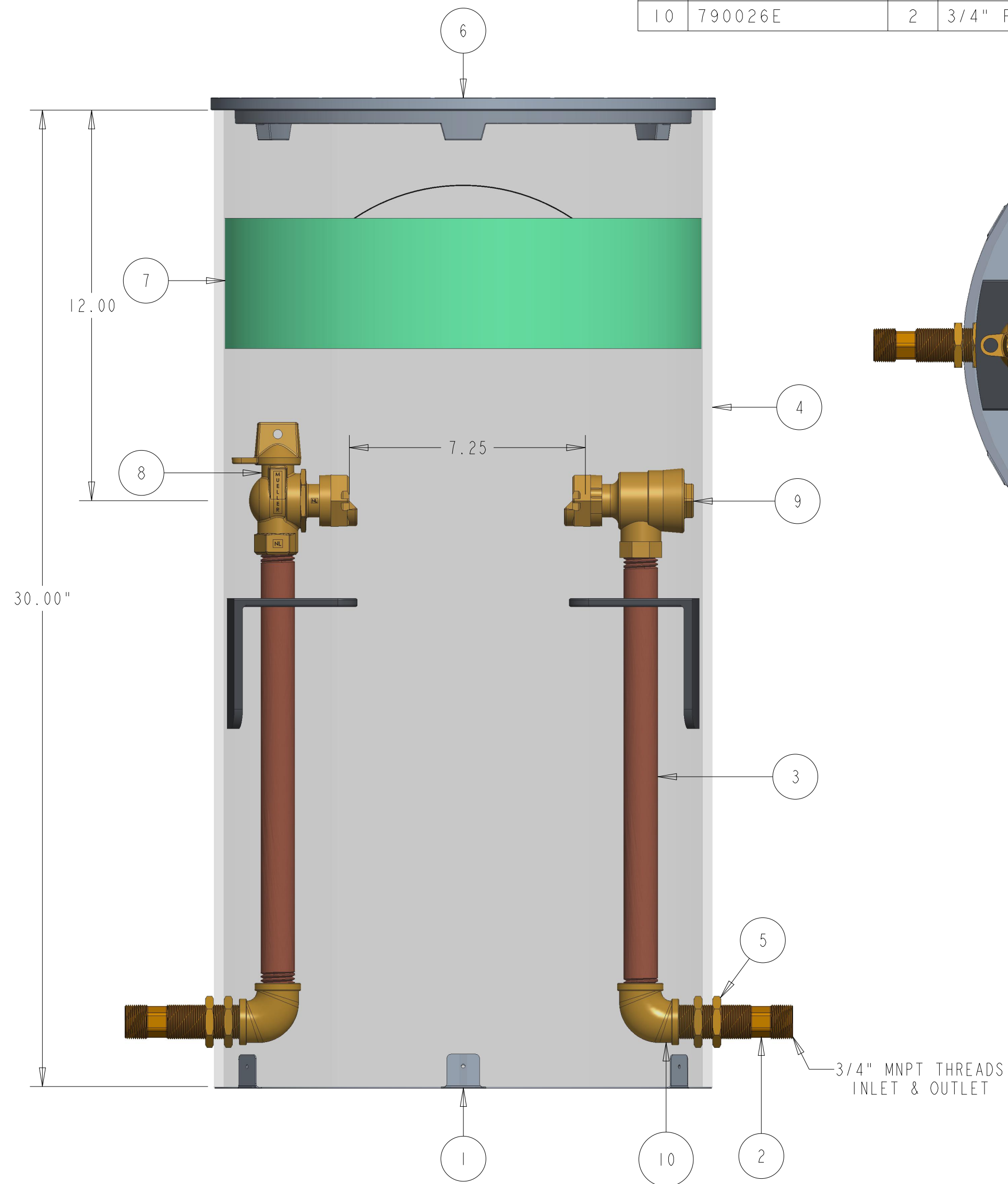


| ITEM NO | PART NUMBER | QTY | DESCRIPTION | MATERIAL |
|---------|-------------|-----|--------------------------------------|---|
| 1 | 548204 | 1 | STAINLESS STEEL BOTTOM (OPTIONAL) | STAINLESS STEEL |
| 2 | 700131 | 2 | 3/4" NIPPLE WITH WRENCH FLATS | RED BRASS ASTM B43 ALLOY C23000 O61 TEMPER ANNEALED |
| 3 | 700265 | 2 | RISER | RED BRASS ASTM B43 ALLOY C23000 O61 TEMPER ANNEALED |
| 4 | 780077-1530 | 1 | SHELL SUB ASSEMBLY | SDR-51 PVC PIPE ASTM D2241 GRADE 1120 |
| 5 | 790006 | 4 | 3/4" HEX NUT | ASTM B16 ALLOY C36000 |
| 6 | 790007 | 1 | 15" CAST IRON FLAT LID | CAST IRON ASTM A126 CLASS B |
| 7 | 790022 | 1 | 15" INSULATION PAD (SOLD SEPARATELY) | ETHAFOAM 220 WHITE OR POLYLAM 1.7 DENSITY WHITE |
| 8 | 215B24265N | 1 | 5/8" X 3/4" FULL PORT BALL VALVE | LEAD FREE BRASS ALLOY ASTM B584 C89833/C87850 |
| 9 | 215H14244AN | 1 | 5/8" X 3/4" ASSE DUAL CHECK VALVE | LEAD FREE BRASS ALLOY ASTM B584 C89833/C87850 |
| 10 | 790026E | 2 | 3/4" FNPT THREADED ELBOW | LEAD FREE BRASS ASTM B584 C89833 |



| | | | | | |
|----------------|-----|---|-------------------------|--------------------------|-----------|
| DR. BY | BBF | 09/17/18 | UNLESS OTHERWISE NOTED | THIRD ANGLE PROJECTION | C.B. NO. |
| CHKR | | | BREAK CAST CORNER(S)--- | | |
| ENGR | | | BREAK MACH CORNER(S)--- | PURCH. | FINISH |
| MGR | | | TOLERANCES | REF. NO. | PATT. NO. |
| MFG | | | UNLESS OTHERWISE NOTED | SCALE | |
| TOOL | | | LINEAR | ANGULAR | |
| FDRY | | | ± | ± | STR. NO. |
| MAT'L: | | | | | |
| MUELLER | | DESCR. 5/8" X 3/4" RIGID SINGLE METER PIT 15" DIA X 30" DEPTH LEAD FREE BRASS | | NUMBER 203RS1530FSANN | |