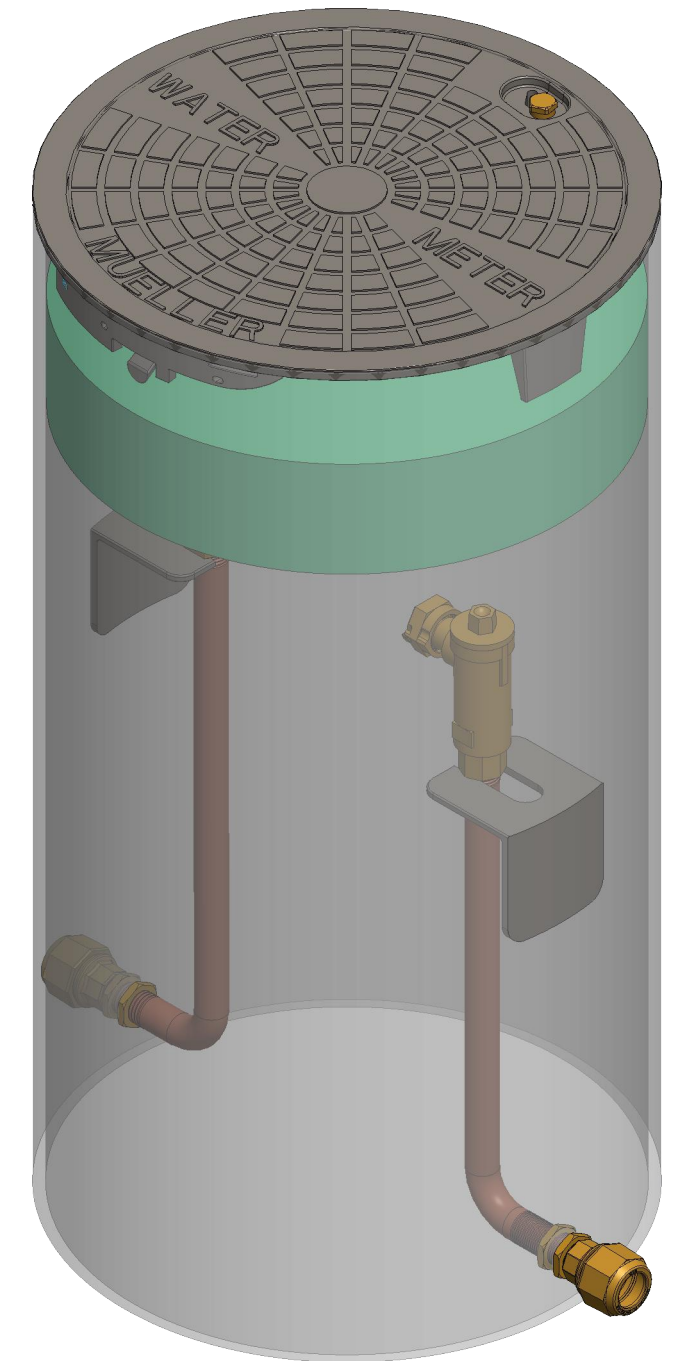
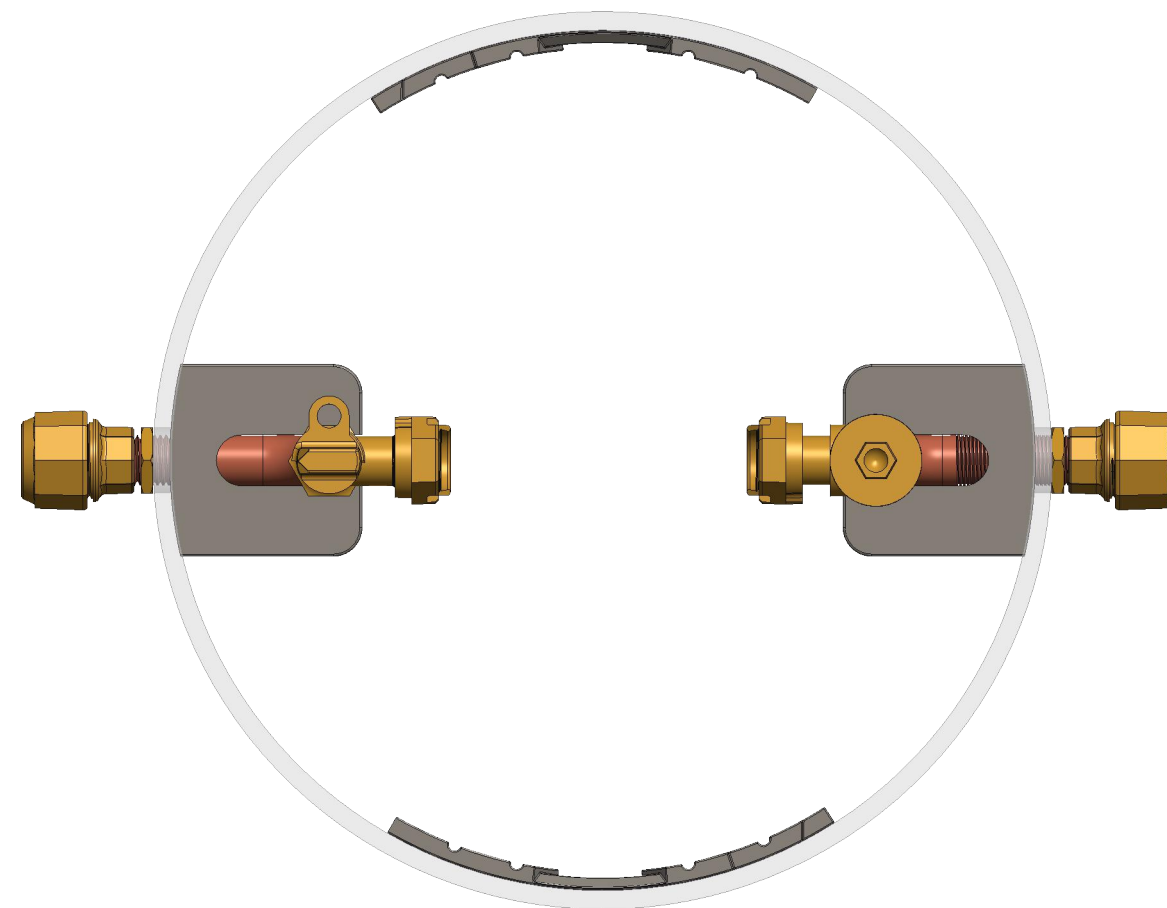
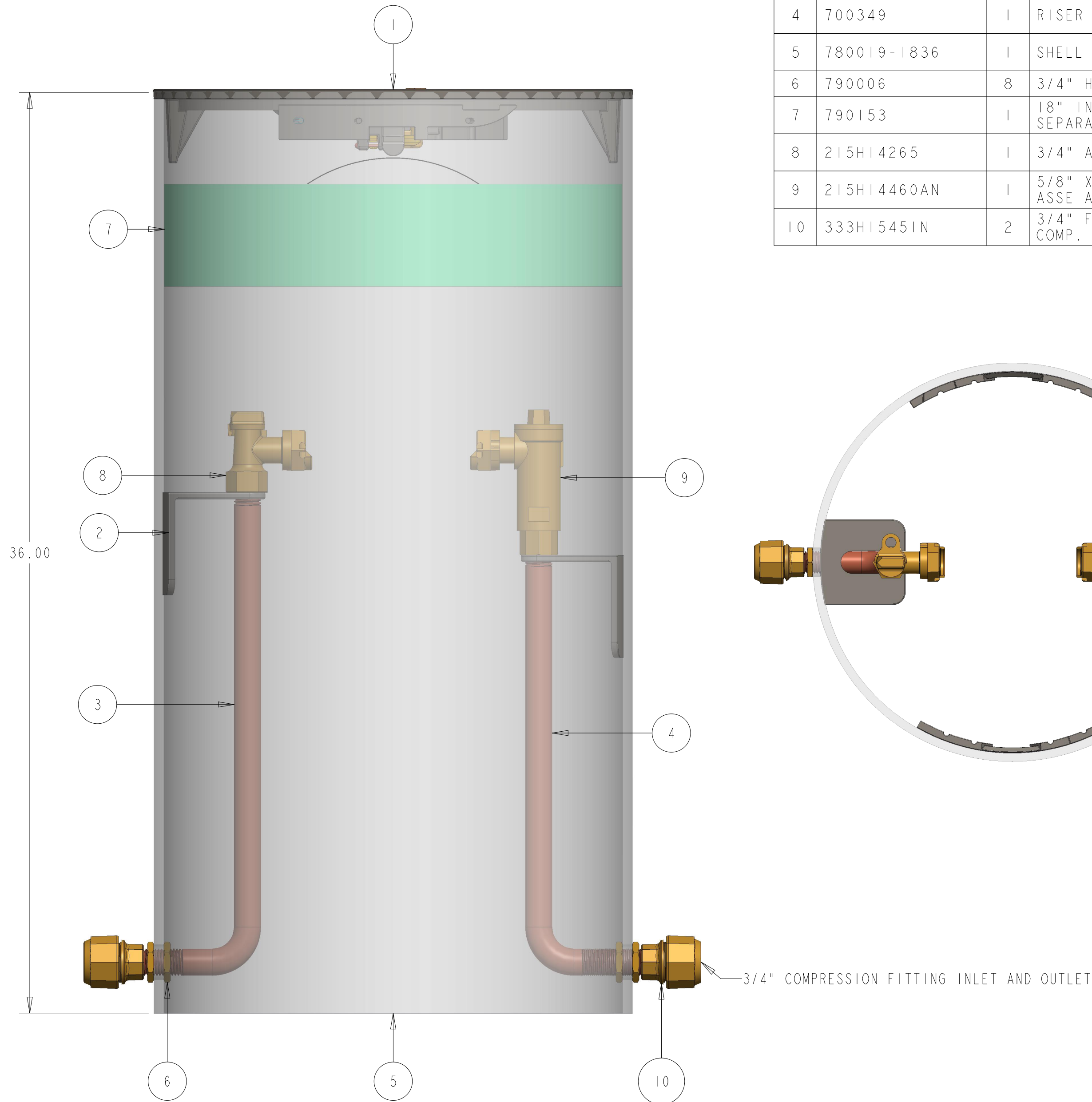


203RS1836LVBS000708N

ITEM NO	PART NUMBER	QTY	DESCRIPTION	MATERIAL
1	282925	1	18" DIA CAST IRON SIDE LOCKING LID (SOLD SEPARATELY)	CAST IRON ASTM A126 CLASS B
2	546396	2	3/4" SUPPORT BRACKET	BLACK PLASTIC ABS
3	700064-1536	1	RISER	RED BRASS ASTM B43 ALLOY C23000 O61 TEMPER ANNEALED
4	700349	1	RISER CONNECTOR	RED BRASS ASTM B43 ALLOY C23000 O61 TEMPER ANNEALED
5	780019-1836	1	SHELL SUB ASSEMBLY	SDR-51 PVC PIPE ASTM D2241 GRADE 1120
6	790006	8	3/4" HEX NUT	ASTM B16 ALLOY C36000
7	790153	1	18" INSULATION PAD (SOLD SEPARATELY)	ETHAFOAM 220 WHITE OR POLYLAM 1.7 DENSITY WHITE
8	215H14265	1	3/4" ANGLE BALL VALVE	LEAD FREE BRASS ALLOY ASTM B584 C89833/C87850
9	215H14460AN	1	5/8" X 3/4" VERTICAL ASSE APPROVED CHECK VALVE	LEAD FREE BRASS ALLOY ASTM B584 C89833/C87850
10	333H15451N	2	3/4" FIP X 1" 110 CTS COMP. TAIL PIECE	LEAD FREE BRASS ALLOY ASTM B584 C89833/C87850

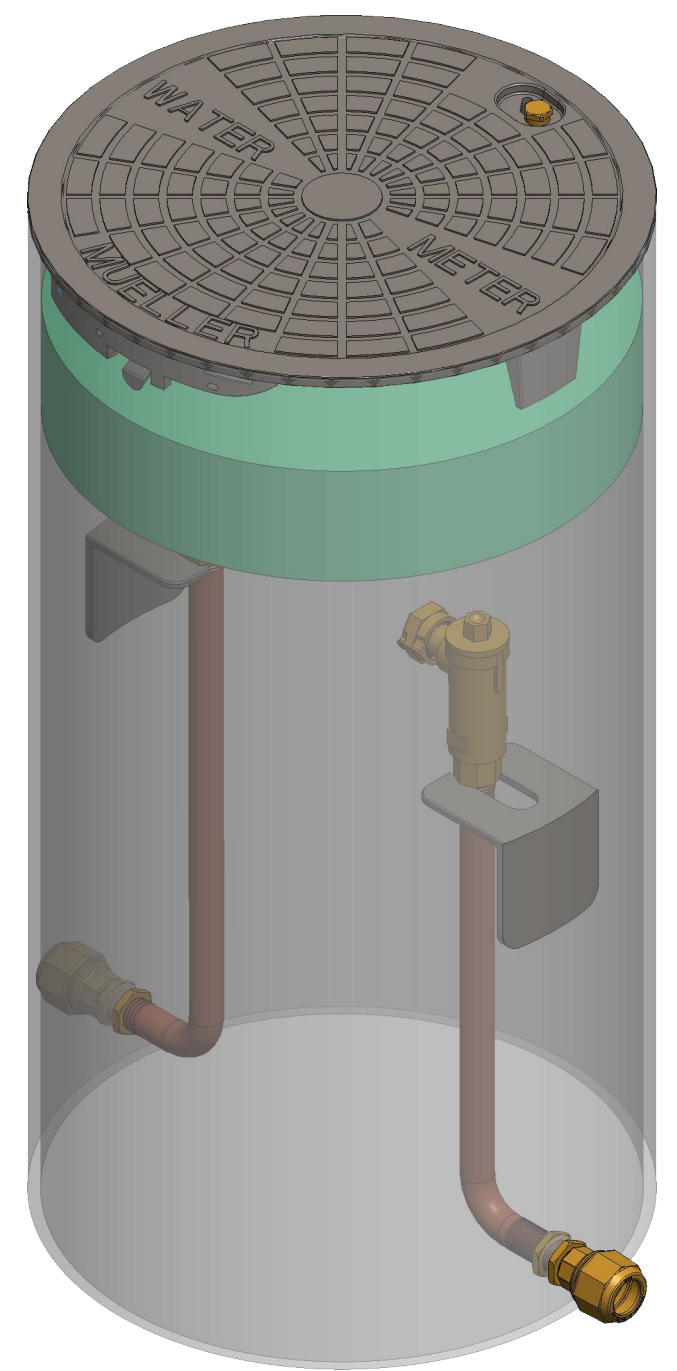
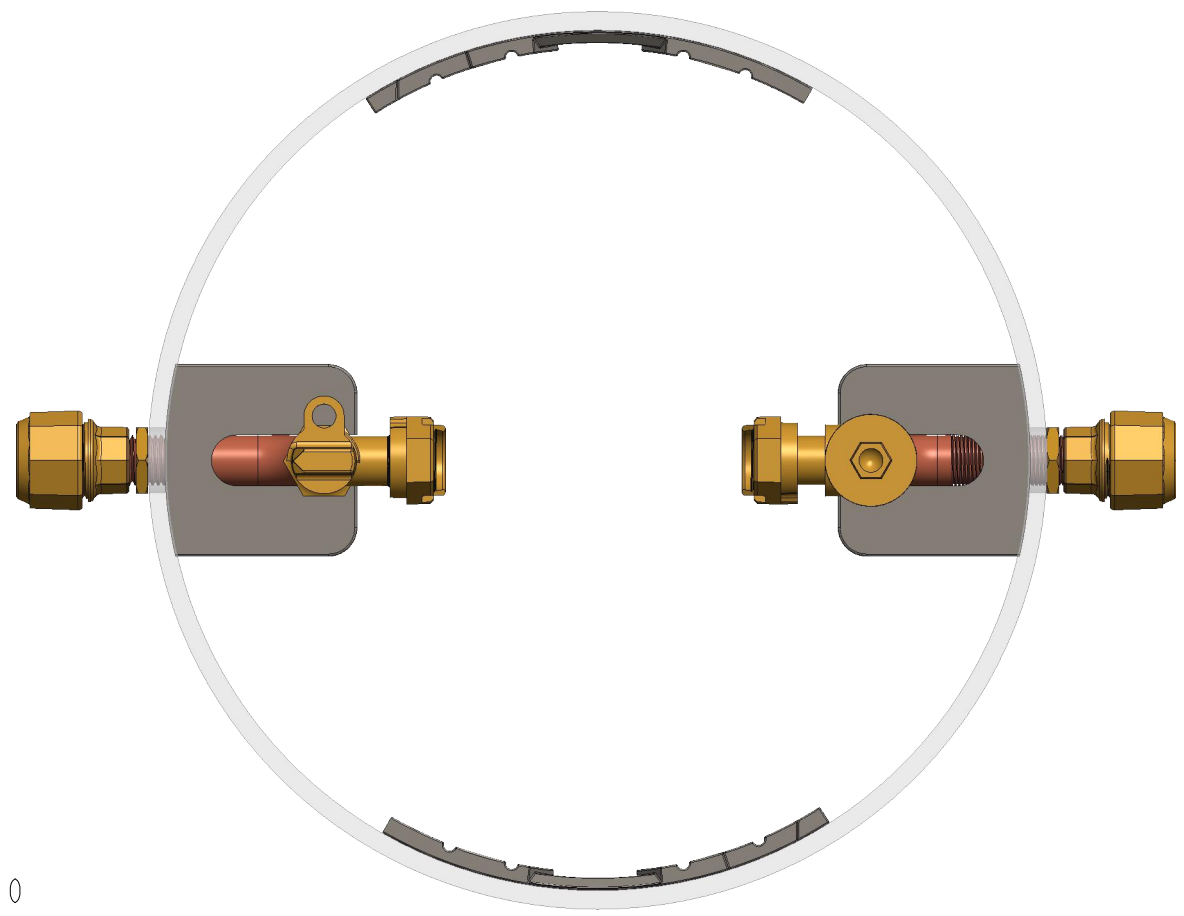
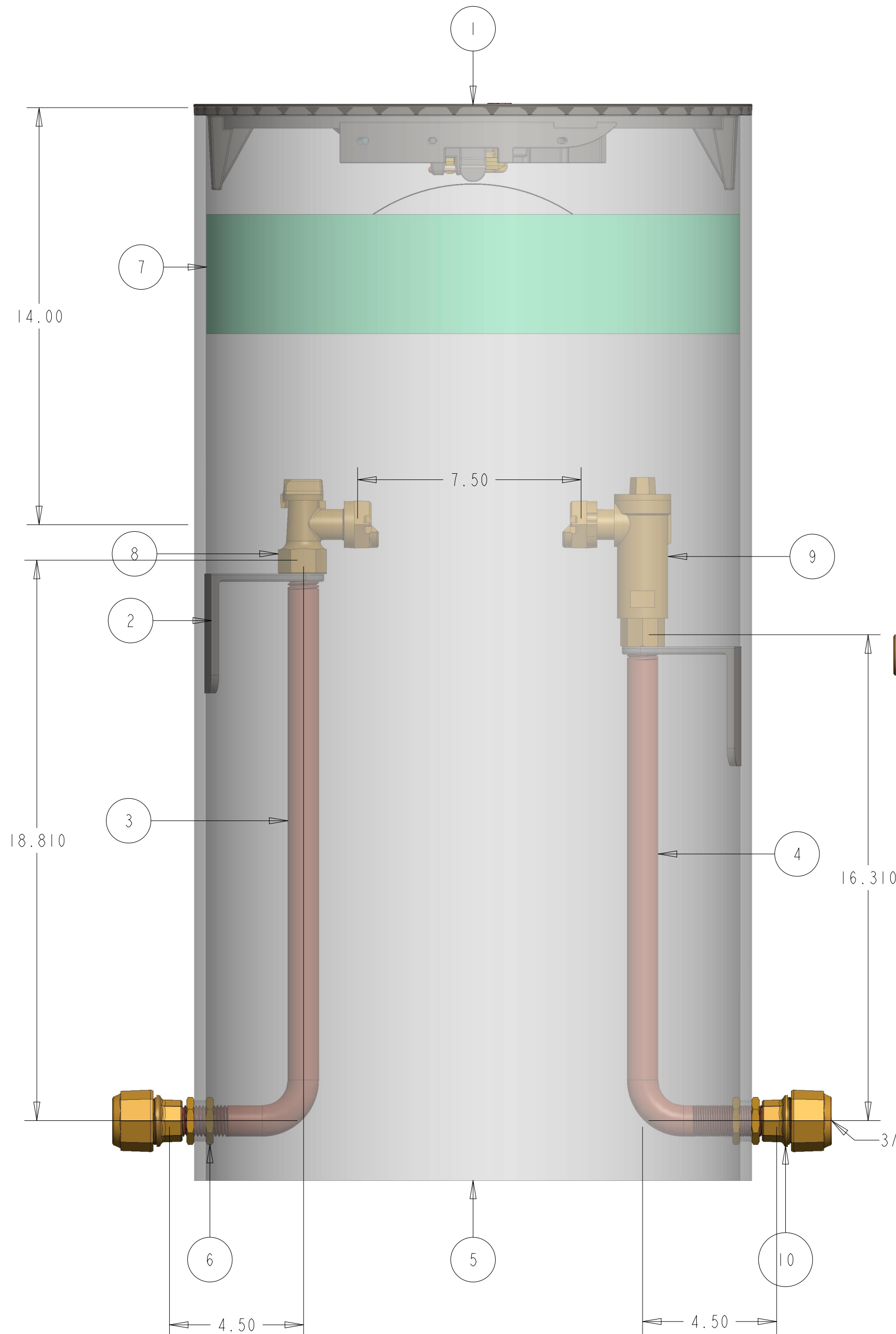


OPTION CODE 708:
 *H15451 333N INSTALLED ON INLET AND OUTLET

DR. BY	SLV	7/23/19	UNLESS OTHERWISE NOTED	THIRD ANGLE PROJECTION	C.B. NO.
CHKR			BREAK CAST CORNER(S)---		
ENGR			BREAK MACH CORNER(S)---	PURCH.	FINISH
MGR			TOLERANCES	REF. NO.	SCALE
MFG			UNLESS OTHERWISE NOTED	STR. NO.	PATT. NO.
TOOL			LINEAR	ANGULAR	
FDRY			±	±	
MAT'L:					
MUELLER		DESCR.	5/8x3/4 RIGID SINGLE METER PIT 18" DIA. X 36" DEPTH LEAD FREE BRASS		NUMBER 203RS1836LVBS000708N

203RS1836LVBS000708N

ITEM NO	PART NUMBER	QTY	DESCRIPTION	MATERIAL
1	282925	1	18" DIA CAST IRON SIDE LOCKING LID (SOLD SEPARATELY)	CAST IRON ASTM A126 CLASS B
2	546396	2	3/4" SUPPORT BRACKET	BLACK PLASTIC ABS
3	700064-1536	1	RISER	RED BRASS ASTM B43 ALLOY C23000 O61 TEMPER ANNEALED
4	700349	1	RISER CONNECTOR	RED BRASS ASTM B43 ALLOY C23000 O61 TEMPER ANNEALED
5	780019-1836	1	SHELL SUB ASSEMBLY	SDR-51 PVC PIPE ASTM D2241 GRADE 1120
6	790006	8	3/4" HEX NUT	ASTM B16 ALLOY C36000
7	790153	1	18" INSULATION PAD (SOLD SEPARATELY)	ETHAFOAM 220 WHITE OR POLYLAM 1.7 DENSITY WHITE
8	215H14265	1	3/4" ANGLE BALL VALVE	LEAD FREE BRASS ALLOY ASTM B584 C89833/C87850
9	215H14460AN	1	5/8" X 3/4" VERTICAL ASSE APPROVED CHECK VALVE	LEAD FREE BRASS ALLOY ASTM B584 C89833/C87850
10	333H15451N	2	3/4" FIP X 1" 110 CTS COMP. TAIL PIECE	LEAD FREE BRASS ALLOY ASTM B584 C89833/C87850



OPTION CODE 708:
 *H15451 333N INSTALLED ON INLET AND OUTLET

DR. BY	SLV	7/23/19	UNLESS OTHERWISE NOTED		THIRD ANGLE PROJECTION		C.B. NO.
CHKR			BREAK CAST CORNER(S)---				
ENGR			BREAK MACH CORNER(S)---		PURCH.	FINISH	PATT. NO.
MGR			TOLERANCES		REF. NO.	SCALE	
MFG			UNLESS OTHERWISE NOTED				
TOOL			LINEAR	ANGULAR			
FDRY			±	±	STR. NO.		
MAT'L:							
MUELLER			DESCR. 5/8x3/4 RIGID SINGLE METER PIT 18" DIA. X 36" DEPTH LEAD FREE BRASS			NUMBER 203RS1836LVBS000708N	