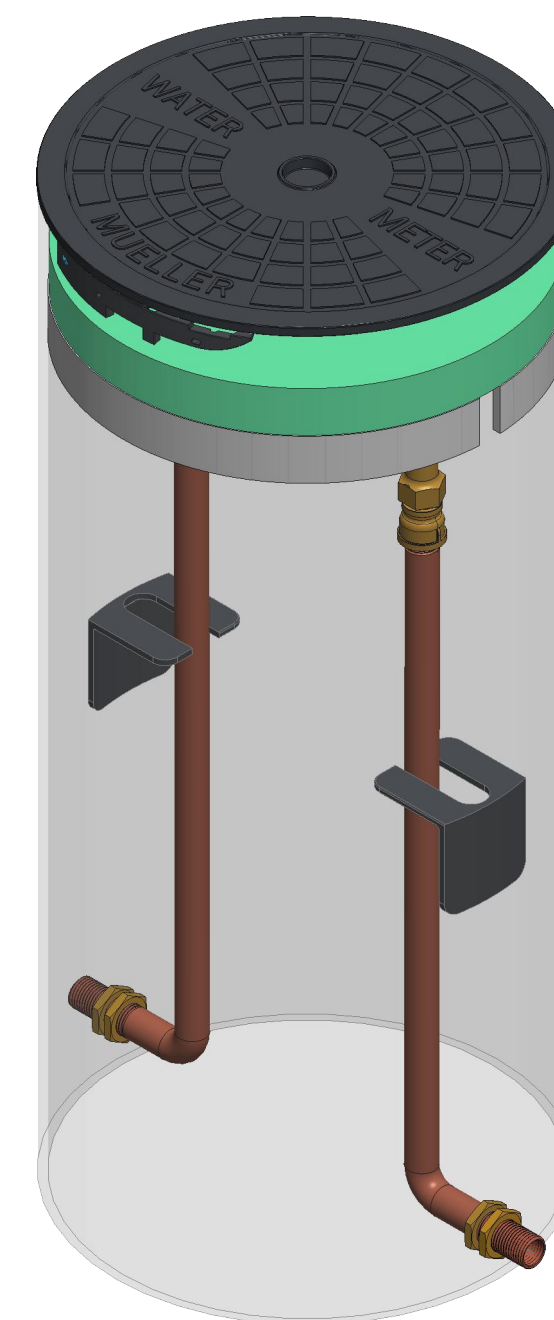
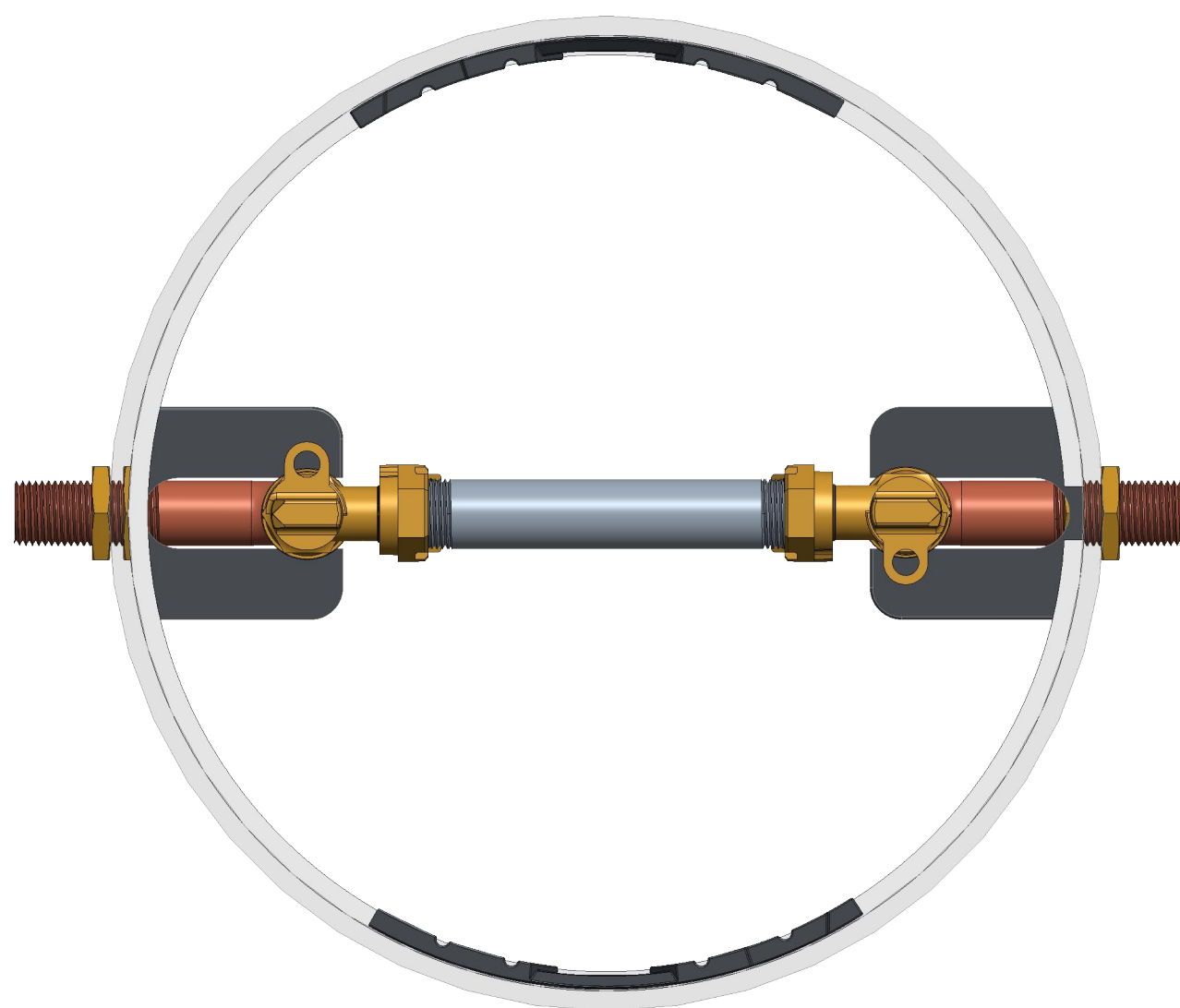
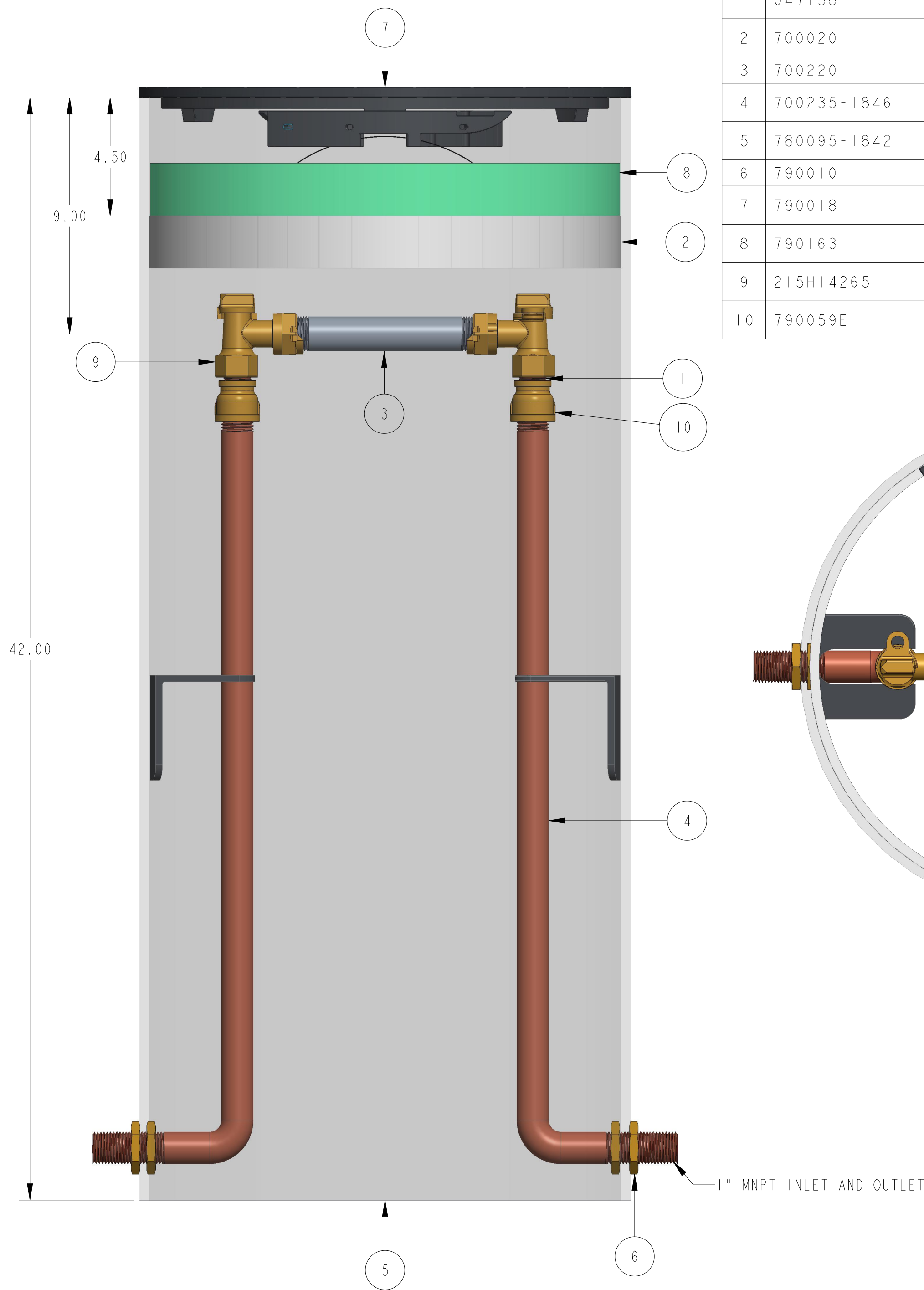


203RS1848LLBN000754N

ITEM NO	PART NUMBER	QTY	DESCRIPTION	MATERIAL
1	047138	2	3/4" CLOSED NIPPLE	RED BRASS ASTM B43 ALLOY C23000 O61 TEMPER ANNEALED
2	700020	1	SUPPORT BRACKET	SDR-51 PVC PIPE ASTM D2241 GRADE 1120
3	700220	1	5/8" X 3/4" METER JUMPER	SCH 80 PVC PIPE
4	700235-1846	2	RISER	RED BRASS ASTM B43 ALLOY C23000 O61 TEMPER ANNEALED
5	780095-1842	1	SHELL SUB ASSEMBLY	SDR-51 PVC PIPE ASTM D2241 GRADE 1120
6	790010	4	1" HEX NUT	ASTM B16 ALLOY C36000
7	790018	1	18" NON LOCKING FLAT LID (SOLD SEPERATELY)	CAST IRON
8	790163	1	18" X 2" INSULATION PAD (SOLD SEPERATELY)	ETHAFOAM 220 WHITE OR POLYLAM 1.7 DENSITY WHITE
9	215H14265	2	3/4" ANGLE BALL VALVE	LEAD FREE BRASS ALLOY ASTM B584 C89833/C87850
10	790059E	2	1" X 3/4" BELL REDUCER	LEAD FREE BRASS ALLOY ASTM B584 C89833/C87850



OPTION CODE 754:

- \*1" RISERS
- \*ADD INNER SUPPORT RING TO SUPPORT INSULATION PAD (TOP OF SUPPORT 4-1/2" DOWN FROM TOP OF SHELL)
- \*CENTERLINE AT 9"

DR. BY	AOD	2/21/22	UNLESS OTHERWISE NOTED		THIRD ANGLE PROJECTION		C.B. NO.
CHKR			BREAK CAST CORNER(S)---				
ENGR			BREAK MACH CORNER(S)---		PURCH.	FINISH	PATT. NO.
MGR			TOLERANCES		REF. NO.	SCALE	
MFG			UNLESS OTHERWISE NOTED				
TOOL			LINEAR	ANGULAR			
FDRY			±	±	STR. NO.		
MAT'L:							
<b>MUELLER</b>			DESCR. 5/8" X 3/4" RIGID SINGLE METER PIT 18" DIA X 48" DEPTH LOW LEAD BRASS				NUMBER 203RS1848LLBN000754N