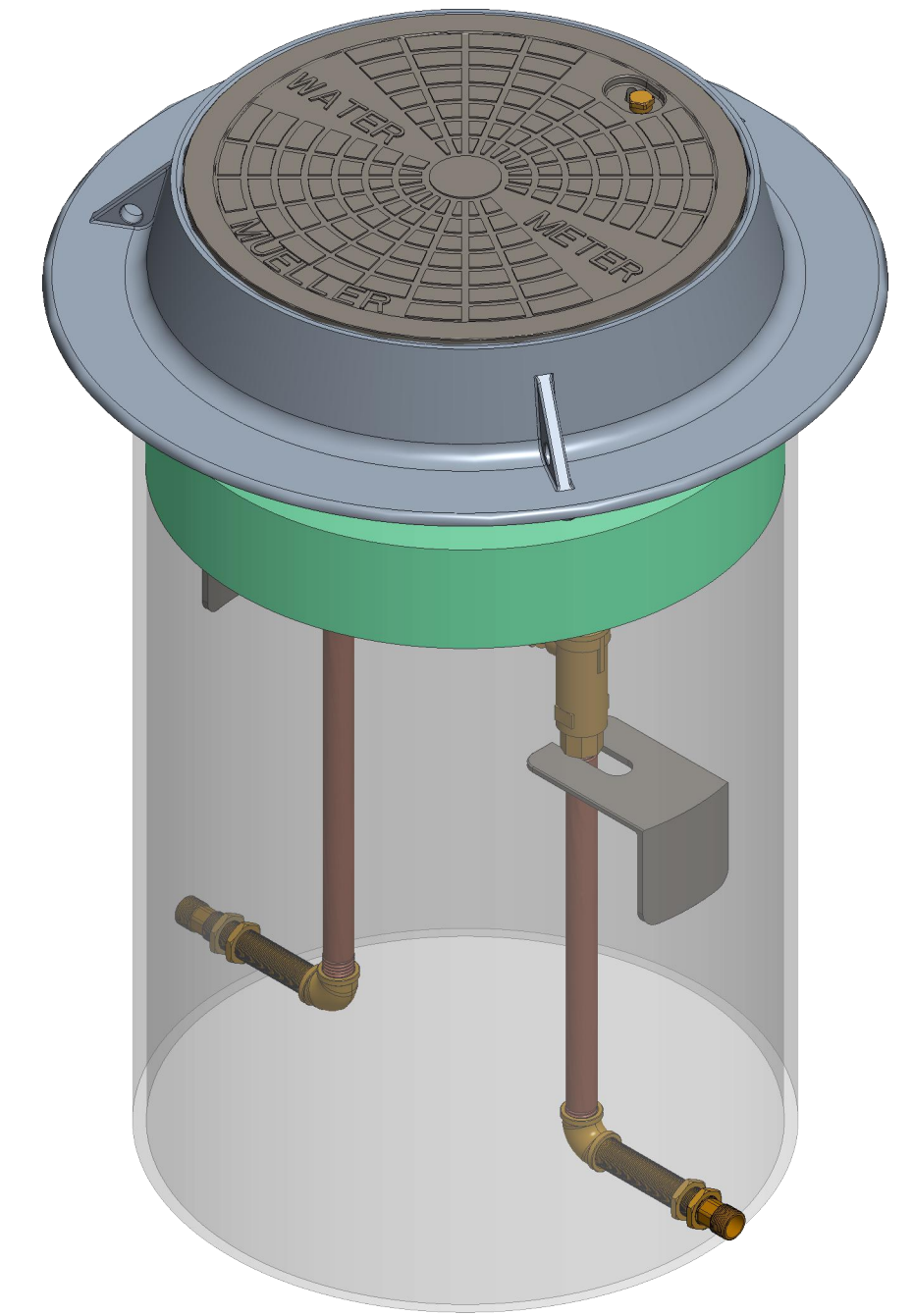
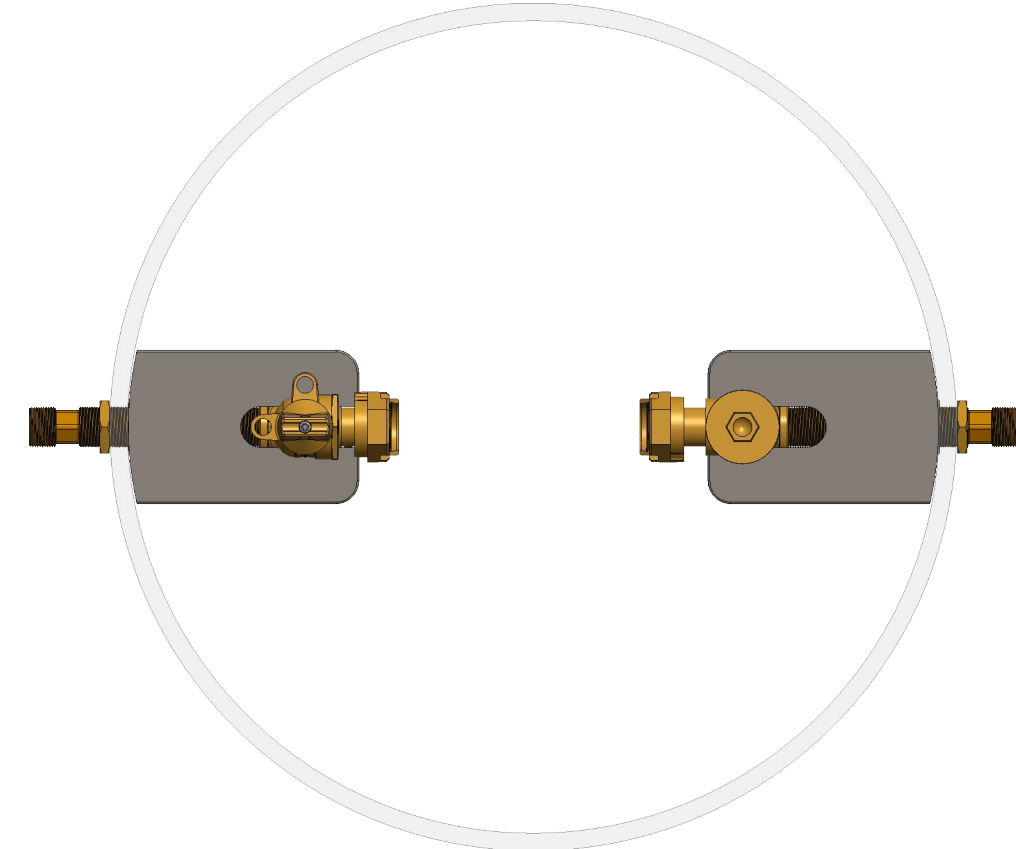
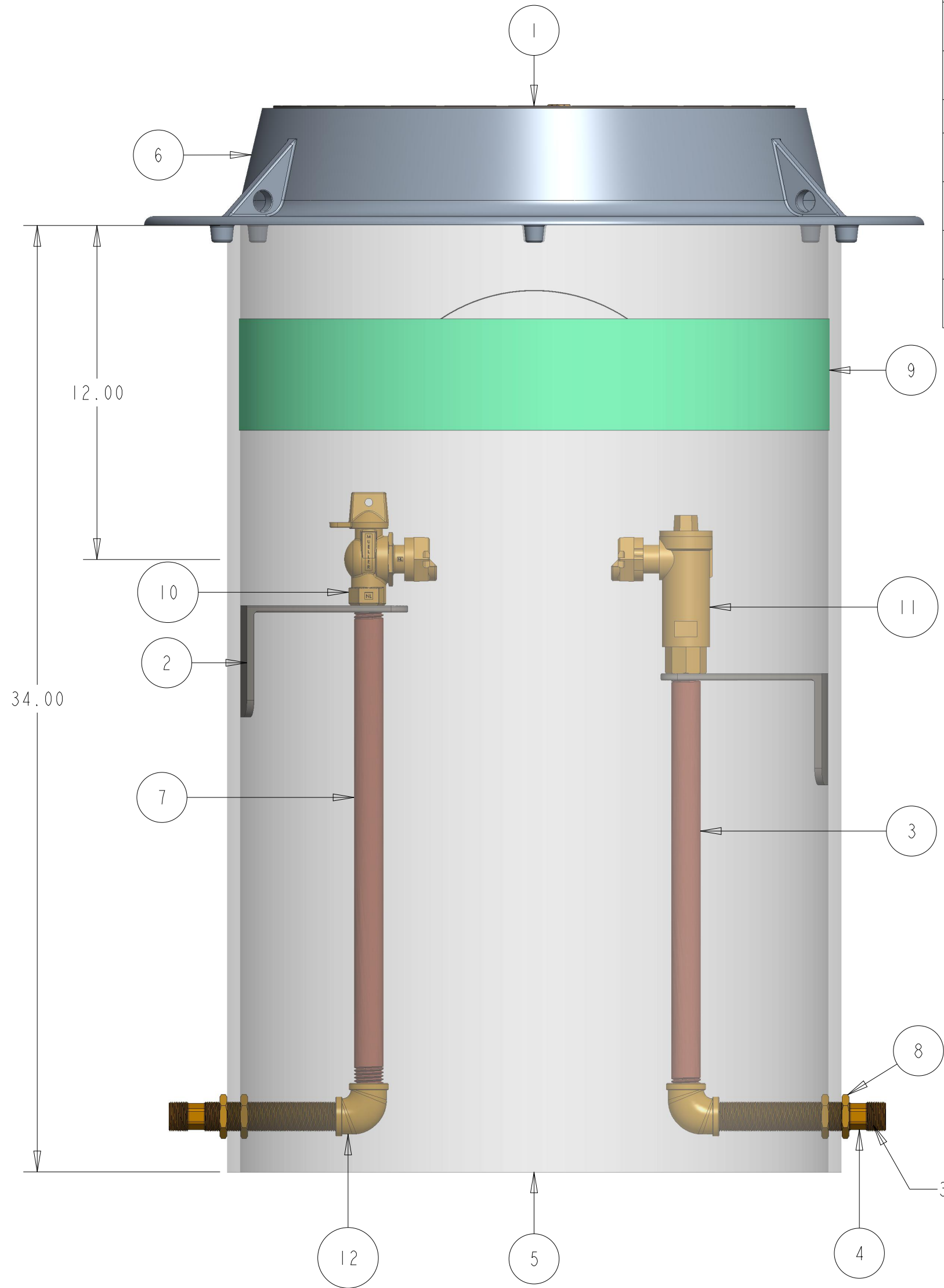


203RS1834FVBN

ITEM NO	PART NUMBER	QTY	DESCRIPTION	MATERIAL
1	282925	1	18" DIA CAST IRON SIDE LOCKING LID (SOLD SEPARATELY)	CAST IRON ASTM A126 CLASS B
2	546397	2	SUPPORT BRACKET	BLACK PLASTIC ABS
3	548472	1	RISER	RED BRASS ASTM B43 ALLOY C23000 O61 TEMPER ANNEALED
4	552111	2	3/4" NIPPLE WITH WRENCH FLATS	RED BRASS ASTM B43 ALLOY C23000 O61 TEMPER ANNEALED
5	700051-2134	1	SHELL SUB ASSEMBLY	SDR-51 PVC PIPE ASTM D2241 GRADE 1120
6	700098-1	1	CAST IRON FRAME (PURCHASED SEPARATELY)	CAST IRON ASTM A48 CLASS 25A
7	700373	1	RISER	RED BRASS ASTM B43 ALLOY C23000 O61 TEMPER ANNEALED
8	790006	4	3/4" HEX NUT	ASTM B16 ALLOY C36000
9	790119	1	21" X 4" INSULATION PAD (SOLD SEPARATELY)	ETHAFOAM 220 WHITE
10	215B24265N	1	5/8" X 3/4" FULL PORT BALL VALVE	LEAD FREE BRASS ALLOY ASTM B584 C89833/C87850
11	215H14460AN	1	5/8" X 3/4" VERTICAL ASSE APPROVED CHECK VALVE	LEAD FREE BRASS ALLOY ASTM B584 C89833/C87850
12	790026E	2	3/4" FNPT THREADED ELBOW	LEAD FREE BRASS ASTM B584 C89833



3/4" MNPT THREADS INLET & OUTLET

A
 CHANGED LAY LENGTH FROM 11.25" TO 7.5"
 552111 WAS 700131
 AOD
 4/05/23

DR. BY	BBF	02/12/19	UNLESS OTHERWISE NOTED	THIRD ANGLE PROJECTION	C.B. NO.
CHKR			BREAK CAST CORNER(S)---		
ENGR			BREAK MACH CORNER(S)---	PURCH.	FINISH
MGR			TOLERANCES	REF. NO.	SCALE
MFG			UNLESS OTHERWISE NOTED	STR. NO.	
TOOL			LINEAR	ANGULAR	
FDRY			±	±	
MAT'L:			DESCR: 5/8" X 3/4" RIGID SINGLE METER PIT 21" DIA X 34" DEPTH LEAD FREE BRASS		
MUELLER			NUMBER 203RS1834FVBN		