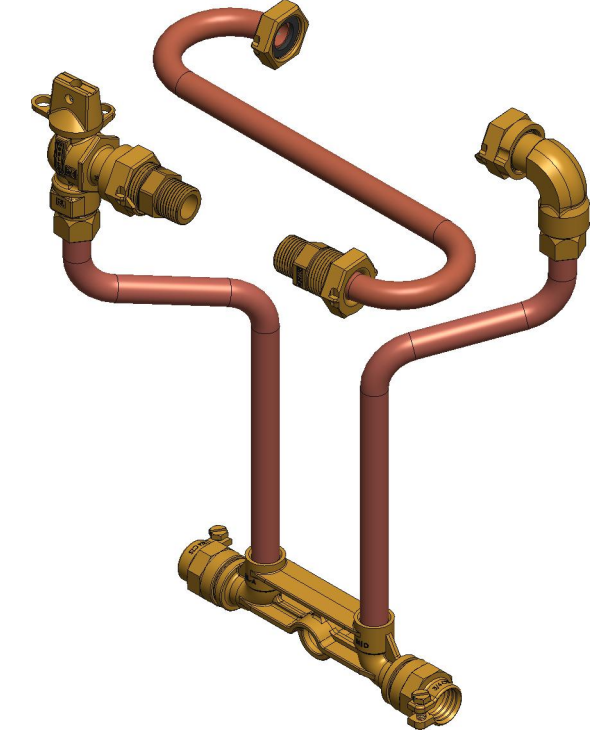
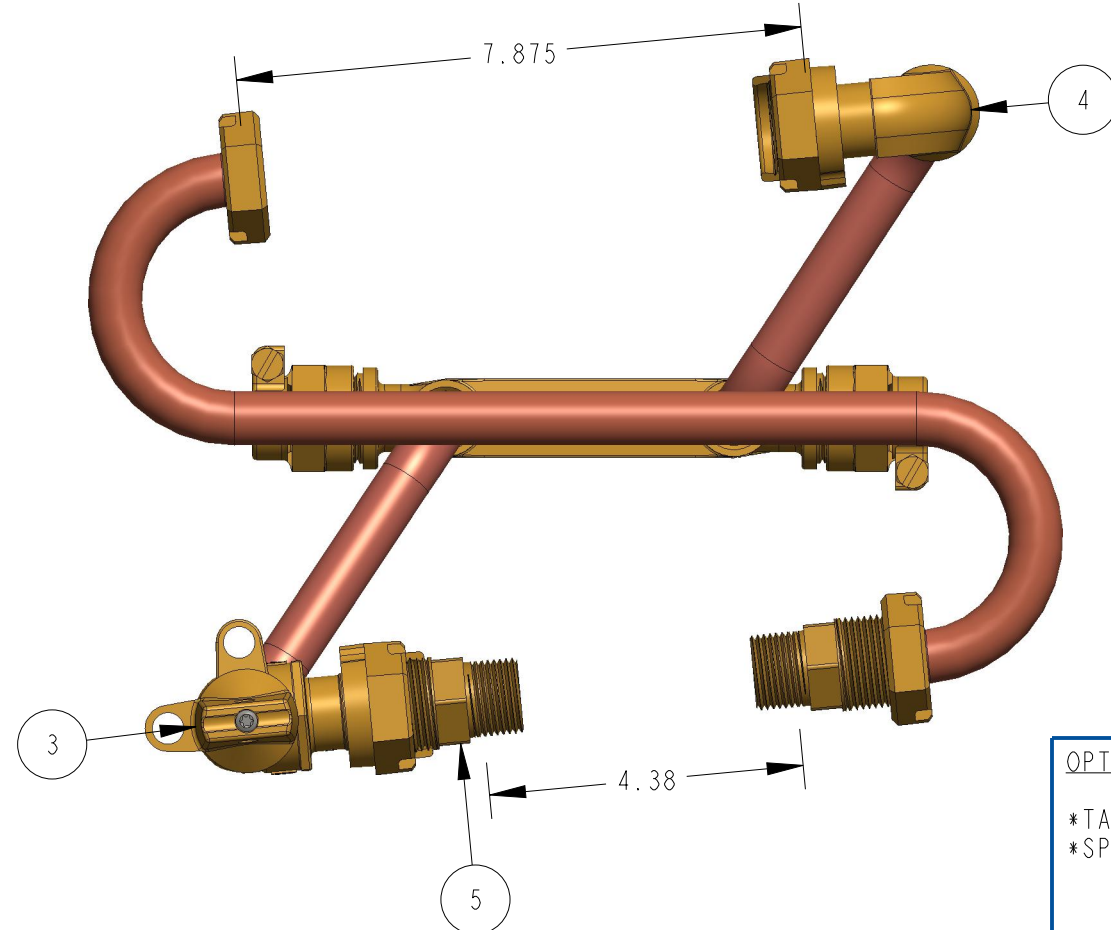
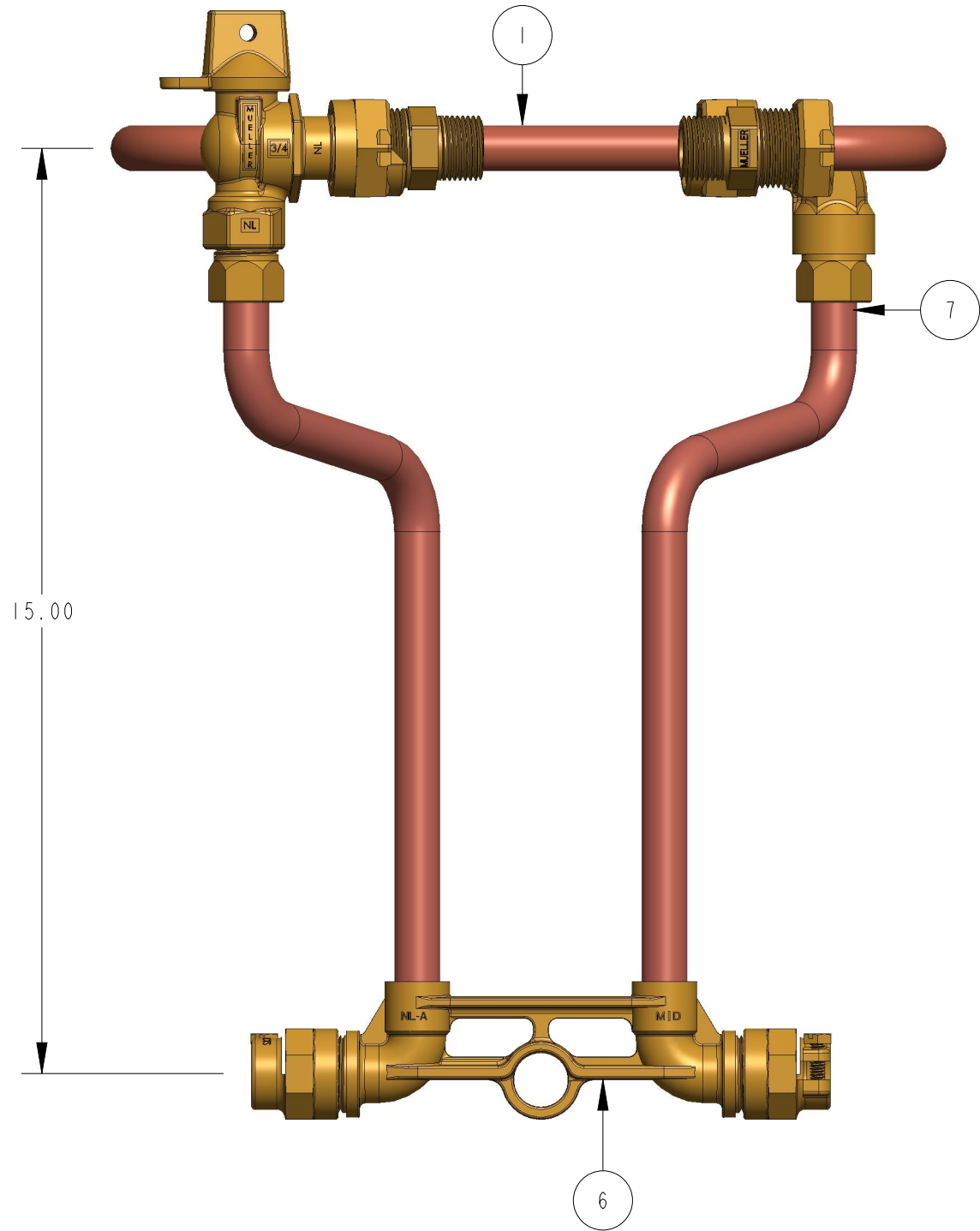


ITEM NO	PART NUMBER	QTY	DESCRIPTION	MATERIAL
1	681363	1	SPACER TUBE ASSEMBLY	COPPER TUBING ASTM B75 UNS C12200 050 TEMPER
2	681921	2	3/4" PACK JOINT	LEAD FREE BRASS ALLOY ASTM B584 C89833/C87850
3	215B2426551RN	1	5/8" X 3/4" REDUCED PORT BALL VALVE	LEAD FREE BRASS ALLOY ASTM B584 C89833/C87850
4	215H14210	1	5/8" X 3/4" METER COUPLING (SWIVEL NUT)	LEAD FREE BRASS ALLOY ASTM B584 C89833/C87850
5	502464E	2	3/4" STRAINER SPUD	LEAD FREE BRASS ALLOY ASTM B584 C89833/C87850
6	532077E	1	METER BAR 3/4" CTS COMPRESSION LLB	LEAD FREE BRASS ALLOY ASTM B584 C89833/C87850
7	681517E	2	RISER SUB ASSEMBLY	COPPER TUBING ASTM B75 UNS C12200 050 TEMPER



15.00

OPTION CODE 15:  
 \*TANDEM PRV 4.250-4.625  
 \*SPACER BAR 681363

INTERPRET THIS DRAWING IN ACCORDANCE WITH ASME Y14.5 2018

UNLESS OTHERWISE SPECIFIED DIMENSIONS ARE IN INCHES. MACHINING TOLERANCES:

X	±.1
.XX	±.015
.XXX	±.005

ANGULAR CORNER BREAK FINISH ±1" .015/.025 125 µin. RA

DO NOT SCALE DRAWING

○ = CRITICAL ( ) = REFERENCE

NAME	DATE
AOS	Mar-20-24
D.E. APPR.	
M.E. APPR.	
Q.A. APPR.	

THIRD ANGLE PROJECTION

**MUELLER**

TITLE:  
**5/8"X3/4" COPPER METER SETTER  
 15" RISER HEIGHT  
 LOW LEAD BRASS**

SIZE	DWG. NUMBER	REV
B	239P2470-R—15N	A

REVISIONS					
REV	ECR	DESCRIPTION	DRAWN BY	DATE	APPROVED
A	3096386	DRAWING CREATED	AOS	3/20/24	

TITLE TO AND OWNERSHIP OF THIS ENGINEERING DATA REMAINS IN Mueller Co. ASSENT ON THE PART OF THE RECIPIENT TO THESE CONDITIONS IS PRESUMED.

MATERIAL:	STK NUMBER:	REF.NO.	SCALE:	WT:	SHEET
			0.125		1 OF 1