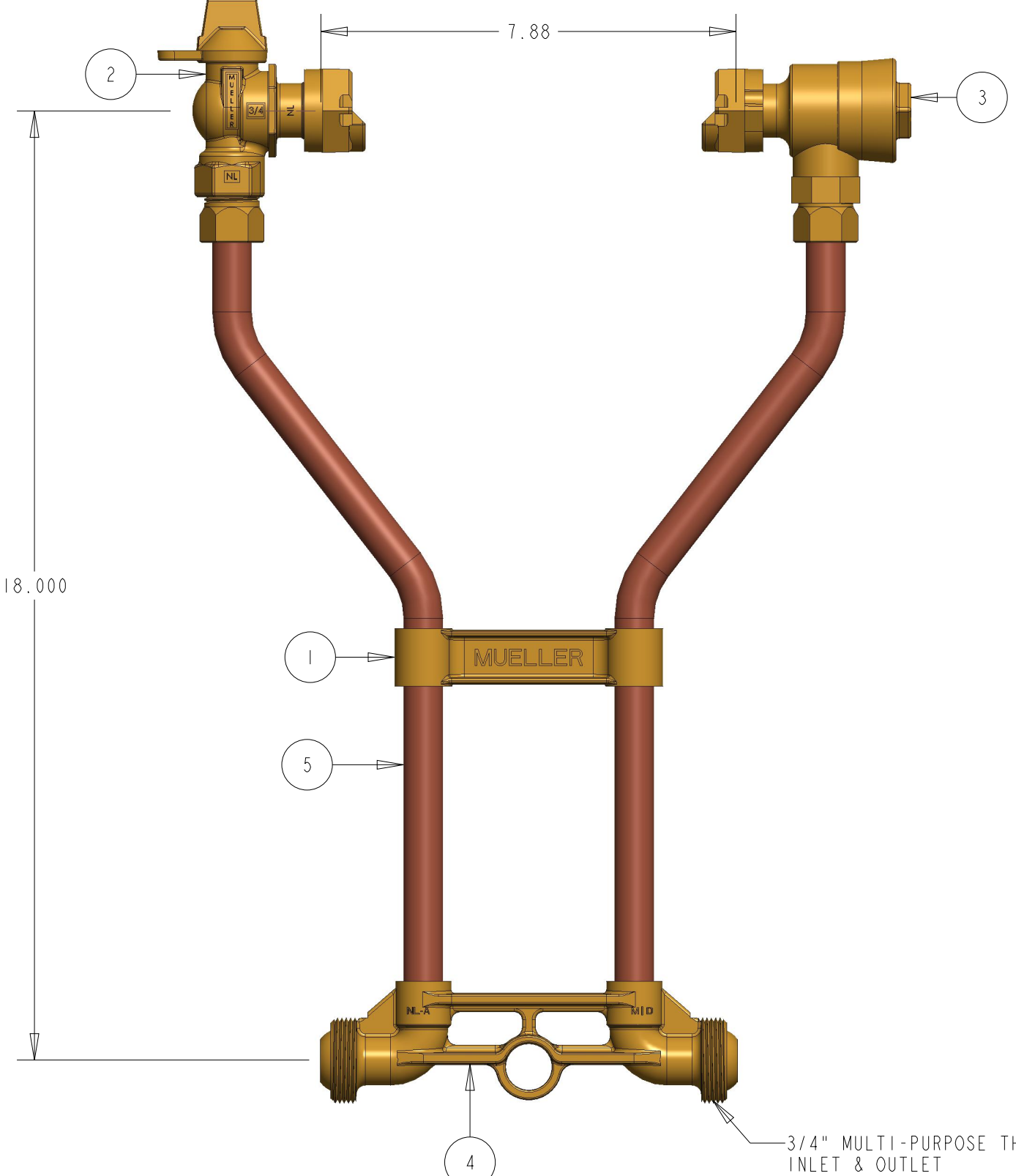
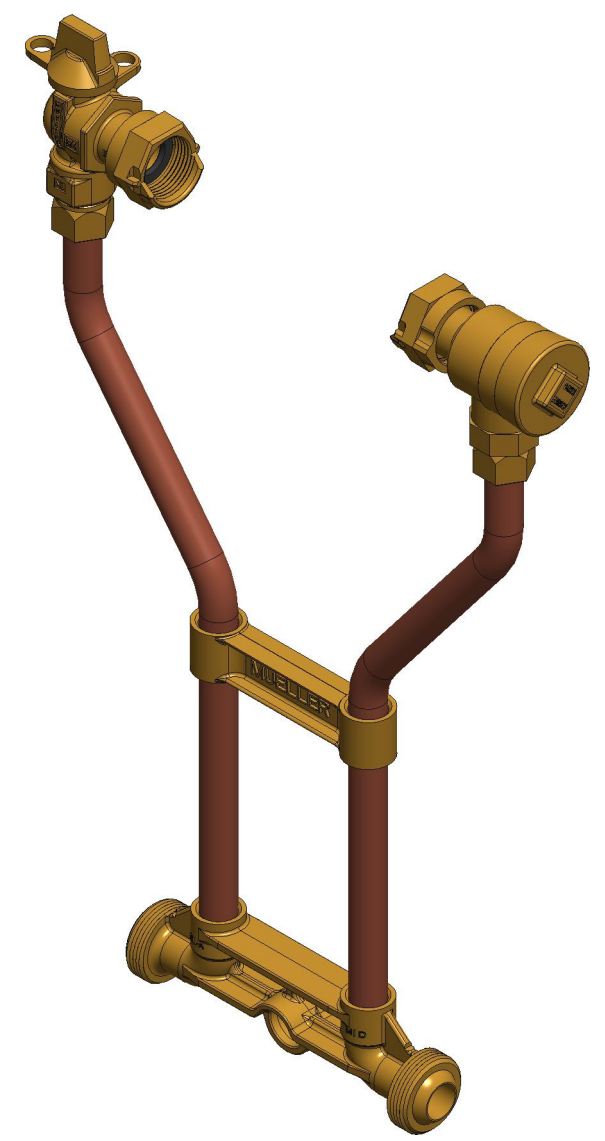


ITEM NO	PART NUMBER	QTY	DESCRIPTION	MATERIAL
1	037022	1	TIE BAR	LEAD FREE BRASS ALLOY ASTM B584 C89833/C87850
2	215B2426551N	1	5/8" X 3/4" FULL PORT BALL VALVE	LEAD FREE BRASS ALLOY ASTM B584 C89833/C87850
3	215HI4244AN	1	5/8" X 3/4" ASSE DUAL CHECK VALVE	LEAD FREE BRASS ALLOY ASTM B584 C89833/C87850
4	532076E	1	METER BAR 3/4" MULTI-PURPOSE LLB	LEAD FREE BRASS ALLOY ASTM B584 C89833/C87850
5	680009E	2	RISER SUB ASSEMBLY	COPPER TUBING ASTM B75 UNS C12200 050 TEMPER



18.000

MUELLER

3/4" MULTI-PURPOSE THREADS INLET & OUTLET

INTERPRET THIS DRAWING IN ACCORDANCE WITH ASME Y14.5 2018  UNLESS OTHERWISE SPECIFIED DIMENSIONS ARE IN INCHES. MACHINING TOLERANCES:  X ±1 XX ±.015 XXX ±.005  ANGULAR CORNER BREAK FINISH ±1° .015/.025 125 µin. RA	NAME <b>AOS</b>	DATE <b>Mar-28-24</b>	THIRD ANGLE PROJECTION 	
	DRAWN BY <b>AOS</b>	D.E. APPR.	M.E. APPR.	
	Q.A. APPR.	DO NOT SCALE DRAWING ○ = CRITICAL ( ) = REFERENCE		
	TITLE: <b>5/8"X3/4" COPPER METER SETTER          18" RISER HEIGHT          LEAD FREE BRASS</b>			
MATERIAL: LEAD FREE BRASS ALLOY ASTM B584 C89833/C87850	DWG. NUMBER <b>240B2404-2A-N</b>	REV <b>A</b>	SIZE <b>B</b>	SCALE: 0.400
STK NUMBER:	REF.NO.	WT:	SHEET 1 OF 1	

REVISIONS					
REV	ECR	DESCRIPTION	DRAWN BY	DATE	APPROVED
A		DRAWING CREATED	AOS	3/28/24	

TITLE TO AND OWNERSHIP OF THIS ENGINEERING DATA REMAINS IN Mueller Co. ASSENT ON THE PART OF THE RECIPIENT TO THESE CONDITIONS IS PRESUMED.

1 2 3 4 5 6

A

A

B

B

C

C

D

D

1 2 3 4 5 6