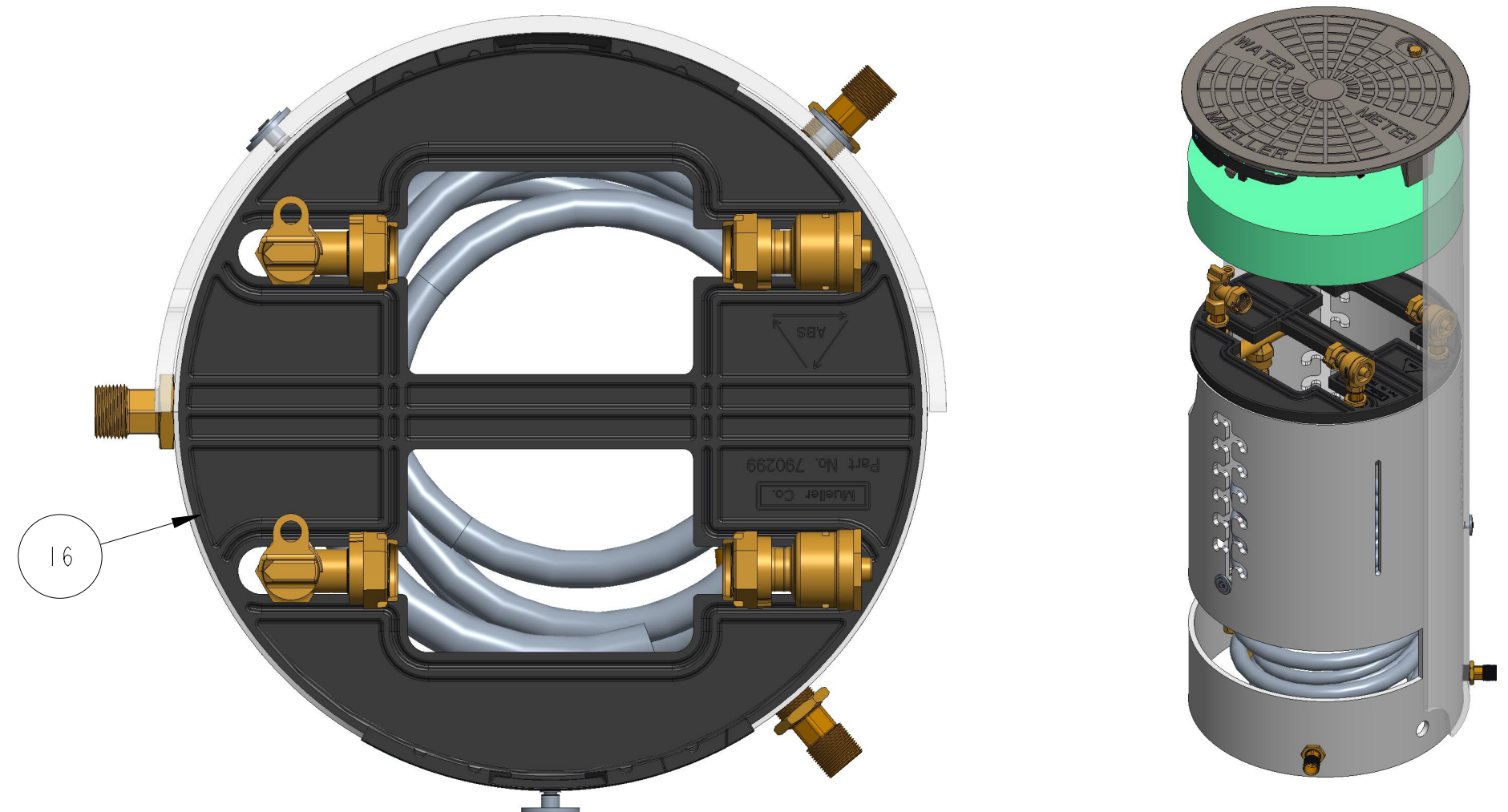


ITEM NO	PART NUMBER	QTY	DESCRIPTION	MATERIAL
1	282925	1	18" DIA CAST IRON SIDE LOCKING LID (SOLD SEPARATELY)	CAST IRON ASTM A126 CLASS B
2	545215-1812	1	17" INSIDE CARTRIDGE - 12" RISE	PVC PIPE
3	545216	3	T-NUT	STAINLESS STEEL
4	545217	3	STAINLESS STEEL WASHER	STAINLESS STEEL
5	545529	3	1/2" SHOULDER BOLT	STAINLESS STEEL
6	548357	2	15" & 18" UNIVERSAL BRACKET	INJECTION MOLDED PLASTIC
7	700013_REVE	4	3/4" HOSE CONNECTOR	RED BRASS ASTM B43 ALLOY C23000 O61 TEMPER ANNEALED
8	700014	2	1" HOSE CONNECTOR	RED BRASS ASTM B43 ALLOY C23000 O61 TEMPER ANNEALED
9	700046-1860	1	COIL PART	POLYBUTYLENE RESIN BASELL AKOALIT PB4267 OR 4237 GREY
10	700131	2	3/4" NIPPLE WITH WRENCH FLATS	RED BRASS ASTM B43 ALLOY C23000 O61 TEMPER ANNEALED
11	780012-1560	2	3/4" COIL PART	POLYBUTYLENE RESIN BASELL AKOALIT PB4267 OR 4237 GREY
12	790006	12	3/4" HEX NUT	ASTM B16 ALLOY C36000
13	790010	2	1" HEX NUT	ASTM B16 ALLOY C36000
14	790011-1848	1	18" ADJUSTA-SHELL ASSEMBLY 48"-60"	SDR-51 PVC PIPE ASTM D2241 GRADE 1120
15	790153	1	18" INSULATION PAD (SOLD SEPARATELY)	ETHAFOAM 220 WHITE OR POLYLAM 1.7 DENSITY WHITE
16	790299	1	18" PLATFORM	PASTIC VIRGIN POLYLAC, PA747 ABS BLACK RESIN OR PROOFED EQUIVALENT RESIN
17	215H14244	2	5/8" X3/4" DUAL CHECK VALVE	LEAD FREE BRASS ALLOY ASTM B584 C89833/C87850
18	215H14265	2	3/4" ANGLE BALL VALVE	LEAD FREE BRASS ALLOY ASTM B584 C89833/C87850
19	402H15367N	1	1IN X 3/4IN FIP THREAD U-BRANCH	LEAD FREE BRASS ALLOY ASTM B584 C89833/C87850



DR. BY	AOD	4/22/22	UNLESS OTHERWISE NOTED	THIRD ANGLE PROJECTION	C.B. NO.
CHKR			BREAK CAST CORNER(S)---		
ENGR			BREAK MACH CORNER(S)---	PURCH.	FINISH
MGR			TOLERANCES	REF. NO.	PATT. NO.
MFG			UNLESS OTHERWISE NOTED	SCALE	
TOOL			LINEAR	ANGULAR	STR. NO.
FDRY			±	±	
MAT'L:		DESCR: 3/4" ADJUSTABLE DOUBLE METER PIT 18" DIA X 48-60" DEPTH LOW LEAD BRASS			NUMBER
MUELLER					250AD184860LBBSN