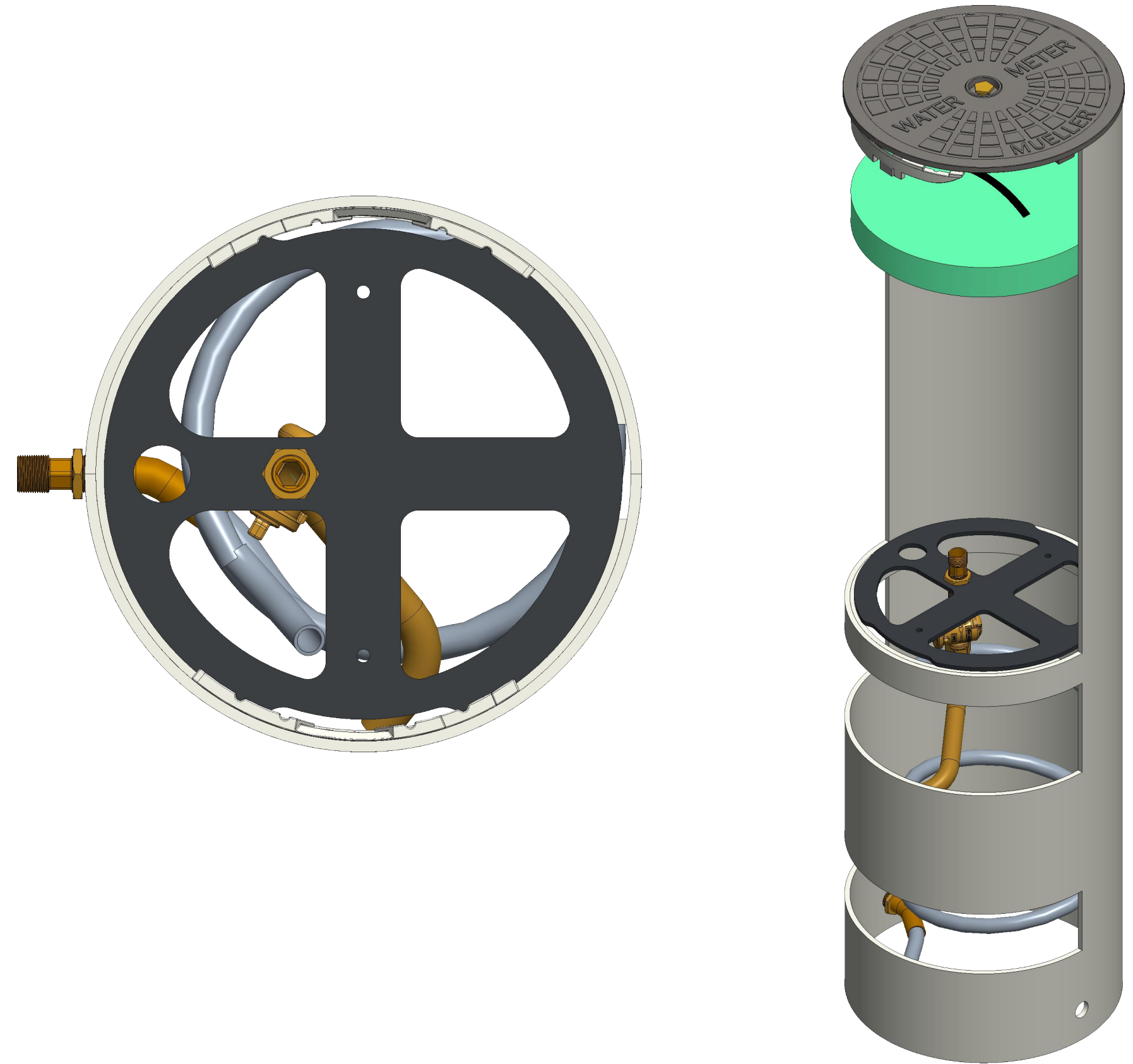


ITEM NO	PART NUMBER	QTY	DESCRIPTION	MATERIAL
1	548786	1	3/4" EXTENDED THREADED CONNECTOR	RED BRASS ASTM B43 ALLOY C23000 O61 TEMPER ANNEALED
2	548994	1	18" DIA STEEL PLATFORM	BLUE RILSAN COATED A36 CARBON STEEL SHEET
3	700013_REVE	1	3/4" HOSE CONNECTOR	RED BRASS ASTM B43 ALLOY C23000 O61 TEMPER ANNEALED
4	700035-1560	1	3/4" COIL PART	PB 2110 CL 250 SDR-9 ASTM D2666
5	700131	1	3/4" NIPPLE WITH WRENCH FLATS	RED BRASS ASTM B43 ALLOY C23000 O61 TEMPER ANNEALED
6	780003-1560	1	SHELL SUB ASSEMBLY	SDR-51 PVC PIPE ASTM D2241 GRADE 1120
7	780068	1	15" CENTER LOCKING LID (OPTIONAL)	CAST IRON ASTM A126 CLASS B
8	790006	4	3/4" HEX NUT	ASTM B16 ALLOY C36000
9	790162	1	15" X 2" INSULATION PAD (SOLD SEPARATELY)	ETHAFOAM 220 WHITE
10	250HI0283N	1	3/4" MARK II ORISEAL VALVE LLB	LEAD FREE BRASS ALLOY ASTM B584 C89833/C87850



DR. BY	AOD	11/18/22	UNLESS OTHERWISE NOTED	THIRD ANGLE PROJECTION		C.B. NO.
CHKR			BREAK CAST CORNER(S)---			
ENGR			BREAK MACH CORNER(S)---	PURCH.	FINISH	PATT. NO.
MGR			TOLERANCES	REF. NO.	SCALE	
MFG			UNLESS OTHERWISE NOTED	STR. NO.		
TOOL			LINEAR	ANGULAR		
FDRY			±	±		
MAT'L:			DESCR. 3/4" AIR RELEASE METER PIT			NUMBER
			15" DIA X 36" DEPTH			250AR1536--BLN
			LOW LEAD BRASS			

