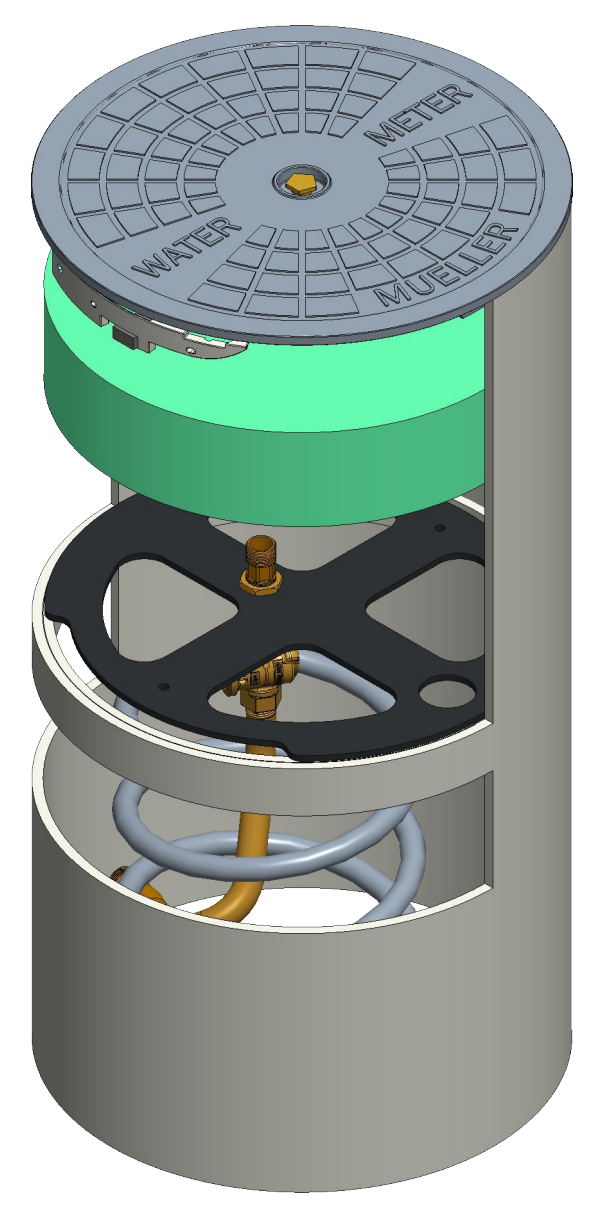
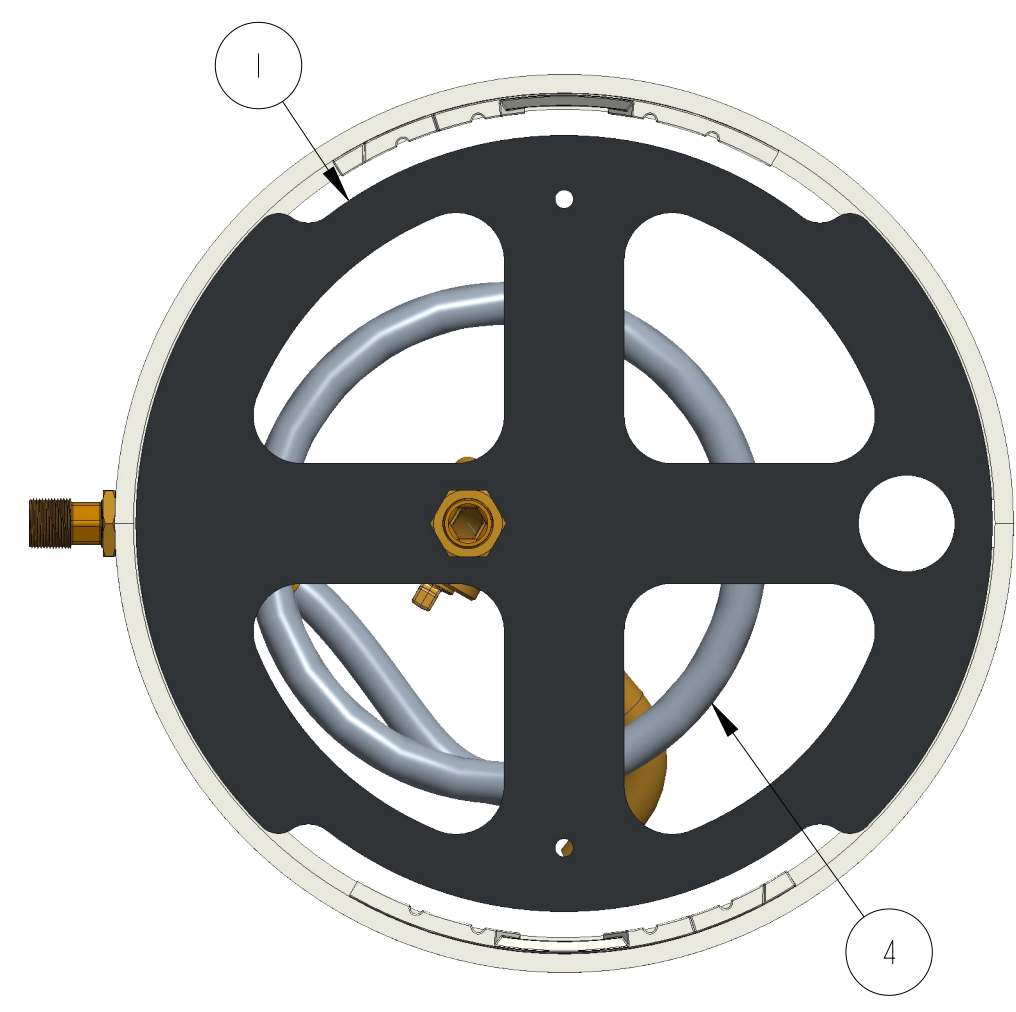
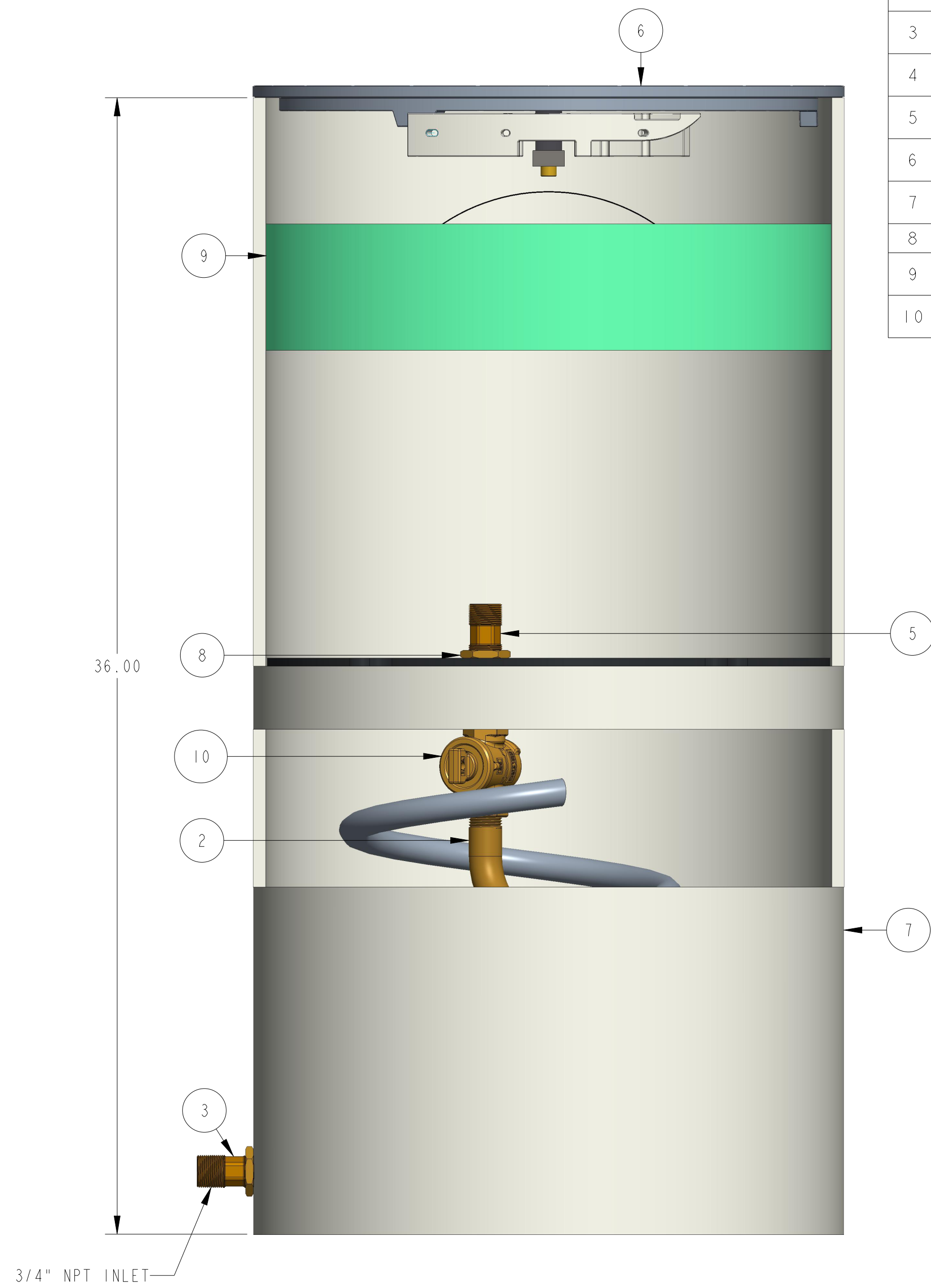


ITEM NO	PART NUMBER	QTY	DESCRIPTION	MATERIAL
1	548780	1	18" DIA STEEL ADJ. AIR RELEASE PLATFORM	BLUE RILSAN COATED A36 CARBON STEEL SHEET
2	548786	1	3/4" EXTENDED THREADED CONNECTOR	RED BRASS ASTM B43 ALLOY C23000 O61 TEMPER ANNEALED
3	700013_REVE	1	3/4" HOSE CONNECTOR	RED BRASS ASTM B43 ALLOY C23000 O61 TEMPER ANNEALED
4	700035-1536	1	3/4" COIL PART	PB 2110 CL 250 SDR-9 ASTM D2666
5	700131	1	3/4" NIPPLE WITH WRENCH FLATS	RED BRASS ASTM B43 ALLOY C23000 O61 TEMPER ANNEALED
6	780069	1	18" DIA CENTER LOCKING LID (NOT INCLUDED)	CAST IRON ASTM A126 CLASS B
7	780094-1836	1	SHELL SUB ASSEMBLY	SDR-51 PVC PIPE ASTM D2241 GRADE 1120
8	790006	4	3/4" HEX NUT	ASTM B16 ALLOY C36000
9	790153	1	18" INSULATION PAD (SOLD SEPARATELY)	ETHAFOAM 220 WHITE OR POLYLAM 1.7 DENSITY WHITE
10	250HI0283N	1	3/4" MARK II ORISEAL VALVE LLB	LEAD FREE BRASS ALLOY ASTM B584 C89833/C87850



DR. BY	AOD	11/18/22	UNLESS OTHERWISE NOTED	THIRD ANGLE PROJECTION	C.B. NO.
CHKR			BREAK CAST CORNER(S)---		
ENGR			BREAK MACH CORNER(S)---	PURCH.	FINISH
MGR			TOLERANCES	REF. NO.	SCALE
MFG			UNLESS OTHERWISE NOTED	STR. NO.	
TOOL			LINEAR	ANGULAR	
FDRY			±	±	
MAT'L:					
<b>MUELLER</b>			DESCR. 3/4" AIR RELEASE METER PIT 18" DIA X 36" DEPTH LOW LEAD BRASS		NUMBER 250AR1836--BLN