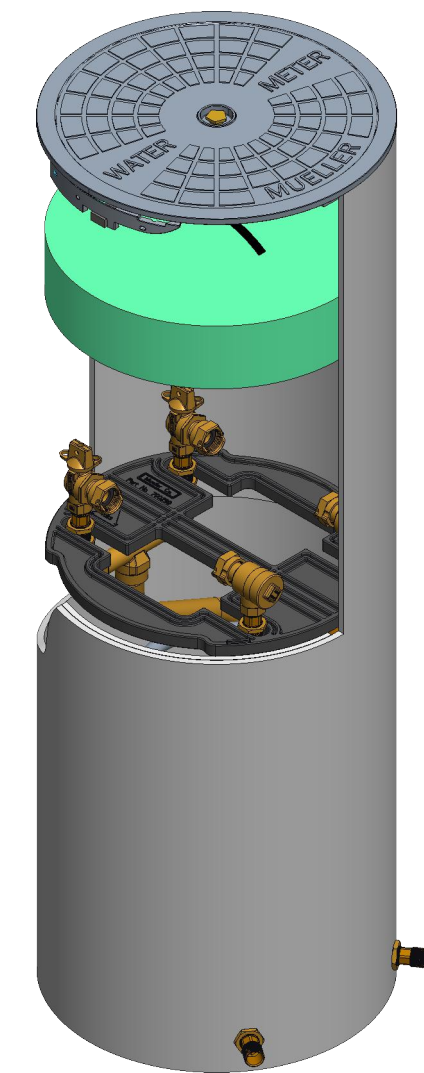
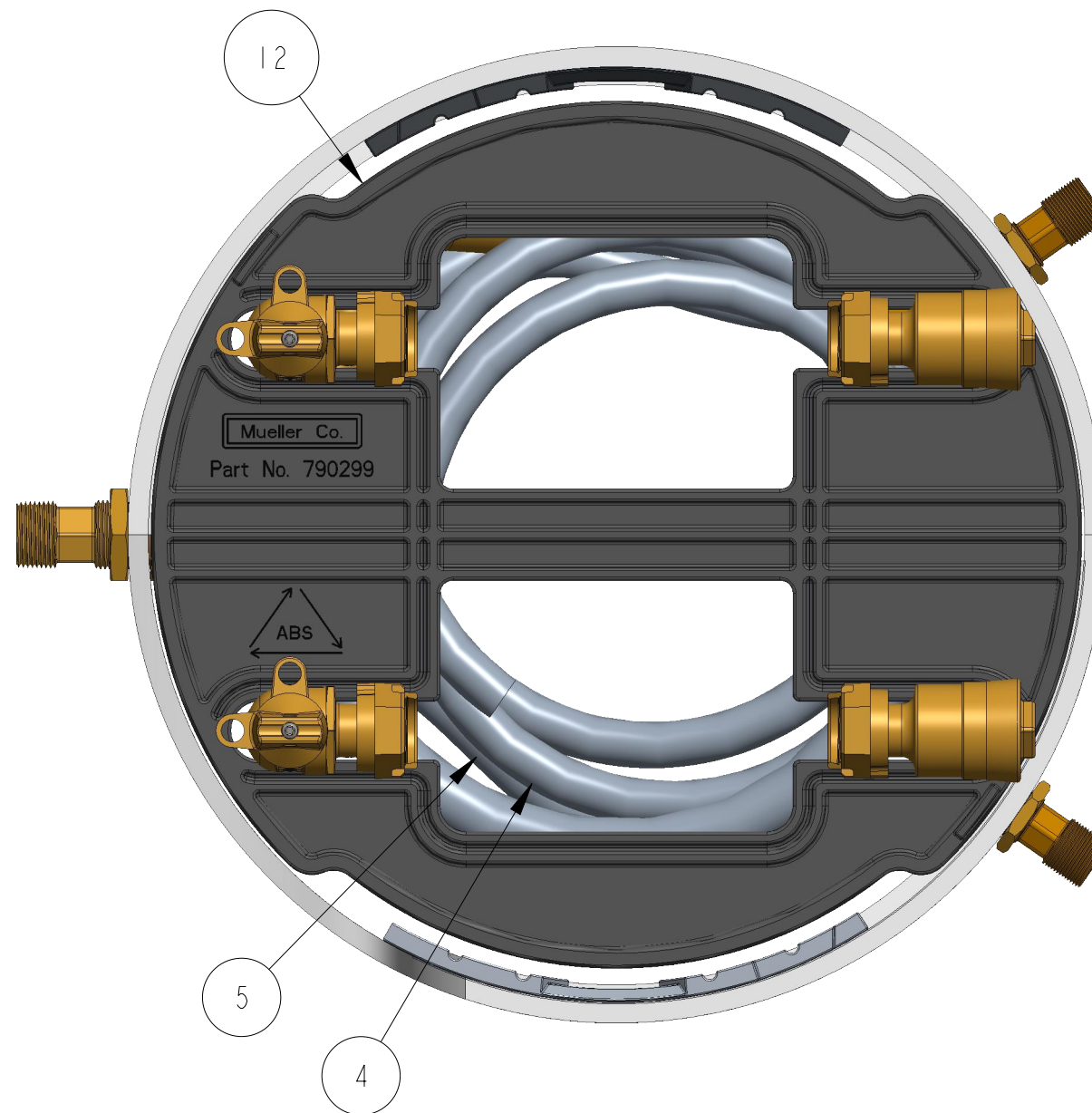


ITEM NO	PART NUMBER	QTY	DESCRIPTION	MATERIAL
1	548451	1	1" EXTENDED THREADED CONNECTOR	RED BRASS ASTM B43 ALLOY C23000 O61 TEMPER ANNEALED
2	700013_REVE	4	3/4" HOSE CONNECTOR	RED BRASS ASTM B43 ALLOY C23000 O61 TEMPER ANNEALED
3	700014	1	1" HOSE CONNECTOR	RED BRASS ASTM B43 ALLOY C23000 O61 TEMPER ANNEALED
4	700035-1554	2	3/4" COIL PART	PB 2110 CL 250 SDR-9 ASTM D2666
5	700046-1854	1	1" COIL PART	PB 2110 CL 250 SDR-9
6	700131	2	3/4" NIPPLE WITH WRENCH FLATS	RED BRASS ASTM B43 ALLOY C23000 O61 TEMPER ANNEALED
7	780069	1	18" DIA CENTER LOCKING LID (NOT INCLUDED)	CAST IRON ASTM A126 CLASS B
8	780076-1854	1	SHELL SUB ASSEMBLY	SDR-51 PVC PIPE ASTM D2241 GRADE 1120
9	790006	12	3/4" HEX NUT	ASTM B16 ALLOY C36000
10	790010	2	1" HEX NUT	ASTM B16 ALLOY C36000
11	790153	1	18" INSULATION PAD (SOLD SEPARATELY)	ETHAFOAM 220 WHITE OR POLYLAM 1.7 DENSITY WHITE
12	790299_REVC	1	18" COMPOSITE PLATFORM	PASTIC VIRGIN POLYLAC, PA747 ABS BLACK RESIN OR PROOFED EQUIVALENT RESIN
13	215B24265N	2	5/8" X 3/4" FULL PORT BALL VALVE	LEAD FREE BRASS ALLOY ASTM B584 C89833/C87850
14	215HI4244AN	2	5/8" X 3/4" ASSE DUAL CHECK VALVE	LEAD FREE BRASS ALLOY ASTM B584 C89833/C87850
15	402HI5367N	1	1IN X 3/4IN FIP THREAD U-BRANCH	LEAD FREE BRASS ALLOY ASTM B584 C89833/C87850



DR. BY	AOD	8/03/22	UNLESS OTHERWISE NOTED	THIRD ANGLE PROJECTION	C.B. NO.
CHKR			BREAK CAST CORNER(S)---		
ENGR			BREAK MACH CORNER(S)---	PURCH.	FINISH
MGR			TOLERANCES	REF. NO.	SCALE
MFG			UNLESS OTHERWISE NOTED	STR. NO.	PATT. NO.
TOOL			LINEAR		
FDRY			±		
MAT'L:					
<b>MUELLER</b>			DESCR. 3/4" COIL DOUBLE METER PIT 18" DIA X 54" DEPTH LOW LEAD BRASS	NUMBER 250CD1854FSBLN	