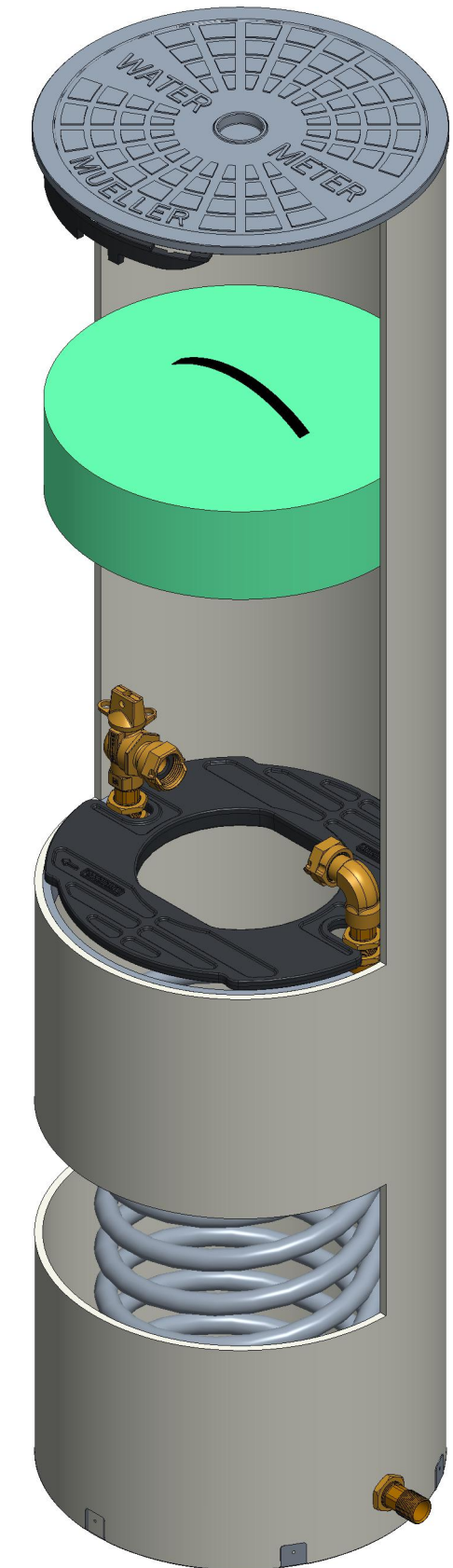
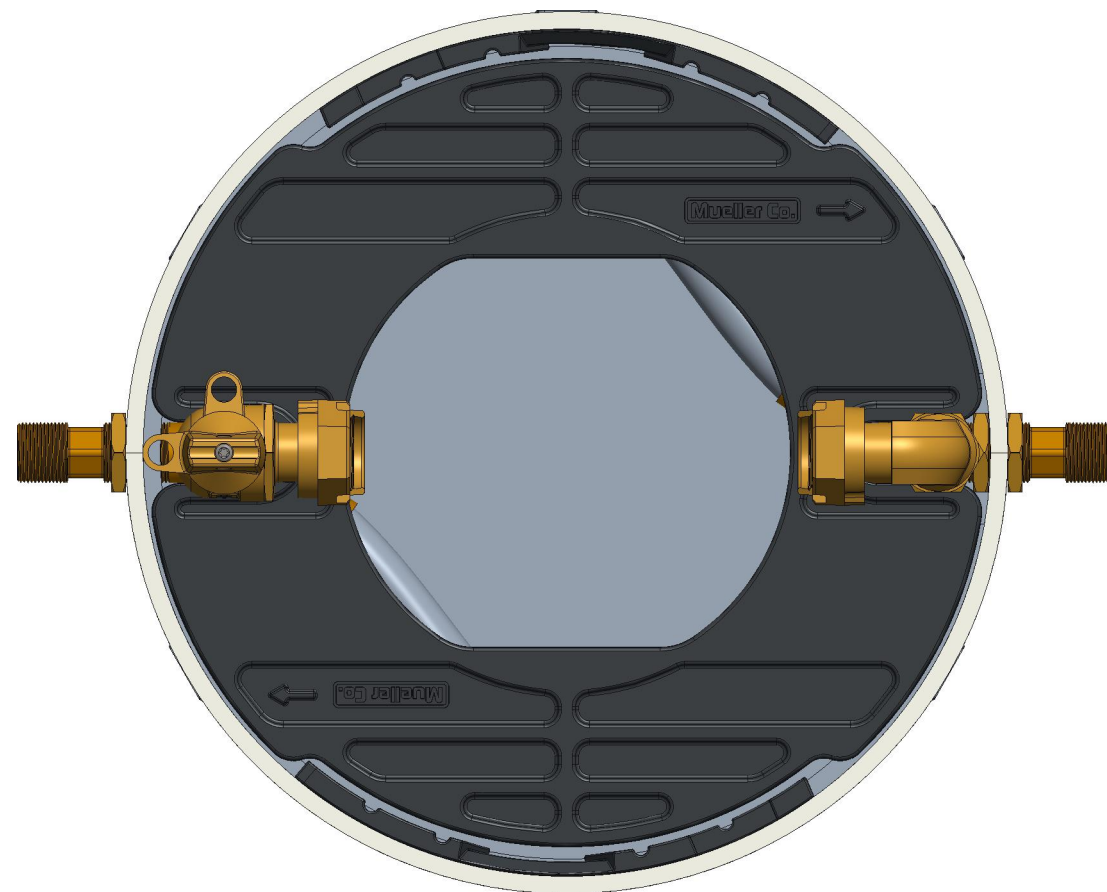


ITEM NO	PART NUMBER	QTY	DESCRIPTION	MATERIAL
1	311965	1	15-10 ABS PLATFORM	PLASTIC VIRGIN POLYLAC, PA747 ABS BLACK RESIN OR PROOFED EQUIVALENT RESIN
2	548204	1	STAINLESS STEEL BOTTOM (OPTIONAL)	STAINLESS STEEL
3	700013_REVE	4	3/4" HOSE CONNECTOR	RED BRASS ASTM B43 ALLOY C23000 O61 TEMPER ANNEALED
4	780012-1572	2	3/4" COIL PART	PB 2110 CL 250 SDR-9
5	780021-1560	1	SHELL SUB ASSEMBLY	SDR-51 PVC PIPE ASTM D2241 GRADE 1120
6	790006	8	3/4" HEX NUT	ASTM B16 ALLOY C36000
7	790007	1	15" CAST IRON FLAT LID	CAST IRON ASTM A126 CLASS B
8	790022	1	15" INSULATION PAD (SOLD SEPARATELY)	ETHAFOAM 220 WHITE OR POLYLAM 1.7 DENSITY WHITE
9	215B24265N	1	5/8" X 3/4" FULL PORT BALL VALVE	LEAD FREE BRASS ALLOY ASTM B584 C89833/C87850
10	215H14210	1	5/8" X 3/4" METER COUPLING (SWIVEL NUT)	LEAD FREE BRASS ALLOY ASTM B584 C89833/C87850



DR. BY	AOD	11/11/21	UNLESS OTHERWISE NOTED	THIRD ANGLE PROJECTION	C.B. NO.
CHKR			BREAK CAST CORNER(S)---		
ENGR			BREAK MACH CORNER(S)---	PURCH.	FINISH
MGR			TOLERANCES	REF. NO.	SCALE
MFG			UNLESS OTHERWISE NOTED	STR. NO.	PATT. NO.
TOOL			LINEAR		
FDRY			±		
MAT'L:					
MUELLER			DESCR. 3/4" COIL SINGLE METER PIT 15" DIA X 60" DEPTH LOW LEAD BRASS	NUMBER	250CS1560FAAN