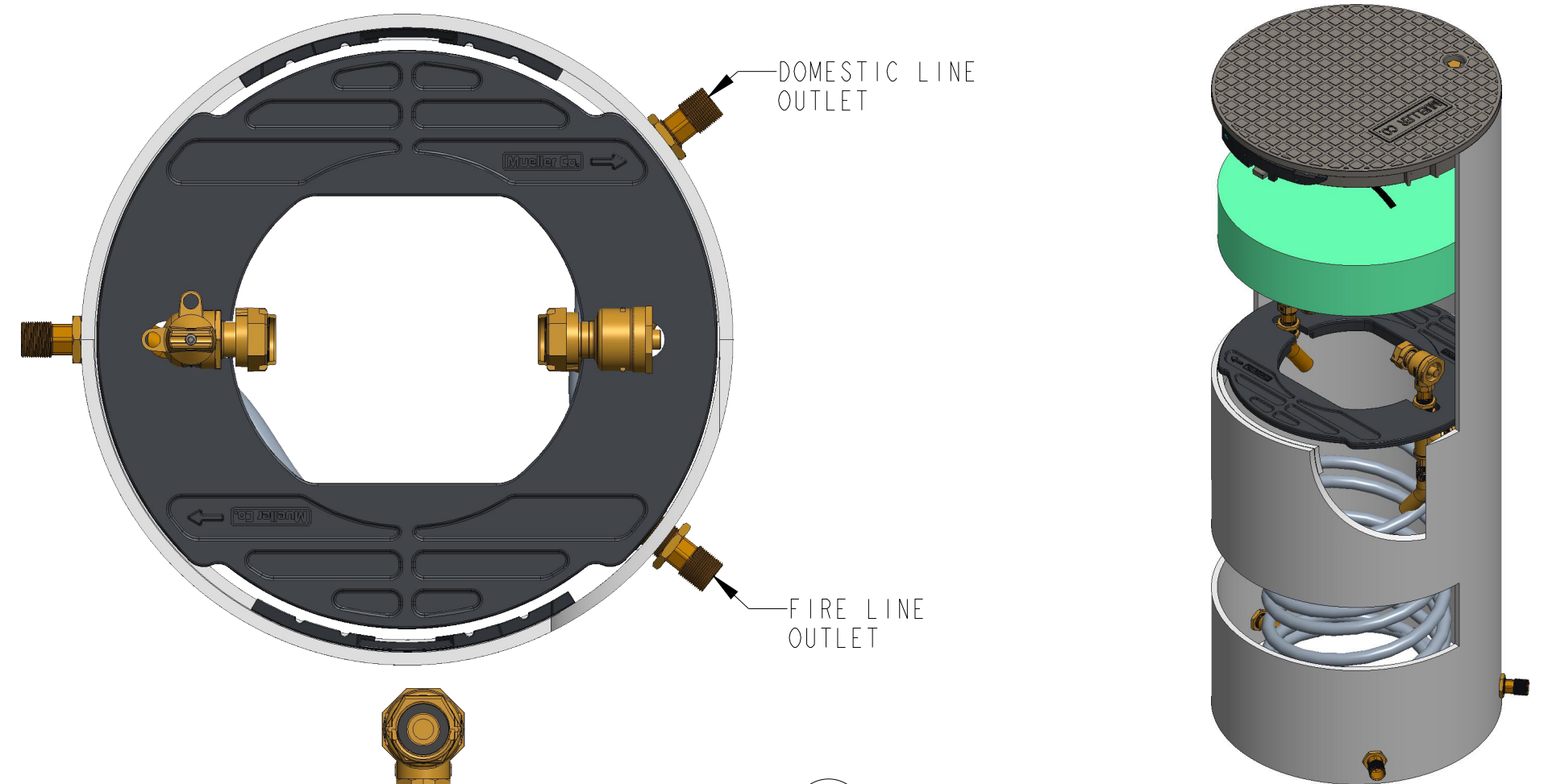


ITEM NO	PART NUMBER	QTY	DESCRIPTION	MATERIAL
1	047138	1	3/4" CLOSED NIPPLE	RED BRASS ASTM B43 ALLOY C23000 O61 TEMPER ANNEALED
2	311955	1	18" DIA SIDE LOCKING COMPOSITE LID (SOLD SEPARATELY)	COMPOSITE MATERIAL
3	311981	1	ABS PLATFORM 18-40	PLASTIC VIRGIN POLYLAC, PA747 ABS BLACK RESIN OR PROOFED EQUIVALENT RESIN
4	700013_REVE	6	3/4" HOSE CONNECTOR	RED BRASS ASTM B43 ALLOY C23000 O61 TEMPER ANNEALED
5	700035-1548	3	3/4" COIL PART	POLYBUTYLENE RESIN BASELL AKOALIT PB4267 OR 4237 GREY
6	700131	1	3/4" NIPPLE WITH WRENCH FLATS	RED BRASS ASTM B43 ALLOY C23000 O61 TEMPER ANNEALED
7	780021-1848	1	SHELL SUB ASSEMBLY	SDR-51 PVC PIPE ASTM D2241 GRADE 1120
8	790006	10	3/4" HEX NUT	ASTM B16 ALLOY C36000
9	790153	1	18" INSULATION PAD (SOLD SEPARATELY)	ETHAFOAM 220 WHITE OR POLYLAM 1.7 DENSITY WHITE
10	215B24265N	1	5/8" X 3/4" FULL PORT BALL VALVE	LEAD FREE BRASS ALLOY ASTM B584 C89833/C87850
11	215H14244	1	5/8" X3/4" DUAL CHECK VALVE	LEAD FREE BRASS ALLOY ASTM B584 C89833/C87850
12	250B20200N	1	3/4" INLINE BALL VALVE	LEAD FREE BRASS ALLOY ASTM B584 C89833/C87850
13	534866E	1	3/4" FIP TEE	LEAD FREE BRASS ASTM B584 C89833
14	790098E	1	3/4" STREET ELBOW	LEAD FREE BRASS ASTM B584 ALLOY C89520 OR C89833



OPTION CODE 343:
 *FIRELINE PIT WITH 3/4" INLET AND TWO 3/4" OUTLETS

DR. BY	AOD	10/10/22	UNLESS OTHERWISE NOTED	THIRD ANGLE PROJECTION	C.B. NO.
CHKR			BREAK CAST CORNER(S)---		
ENGR			BREAK MACH CORNER(S)---	PURCH.	FINISH
MGR			TOLERANCES	REF. NO.	SCALE
MFG			UNLESS OTHERWISE NOTED	STR. NO.	PATT. NO.
TOOL			LINEAR	±	
FDRY			ANGULAR	±	
MAT'L:					
MUELLER			DESCR. 3/4" COIL SINGLE METER PIT 18" DIA X 48" DEPTH LOW LEAD BRASS		NUMBER 250CS1848FBB5000343N