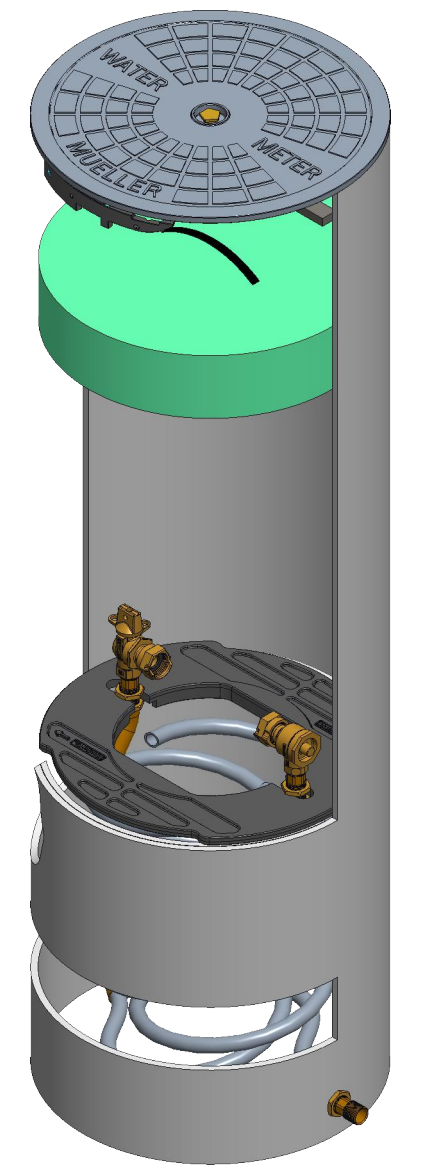
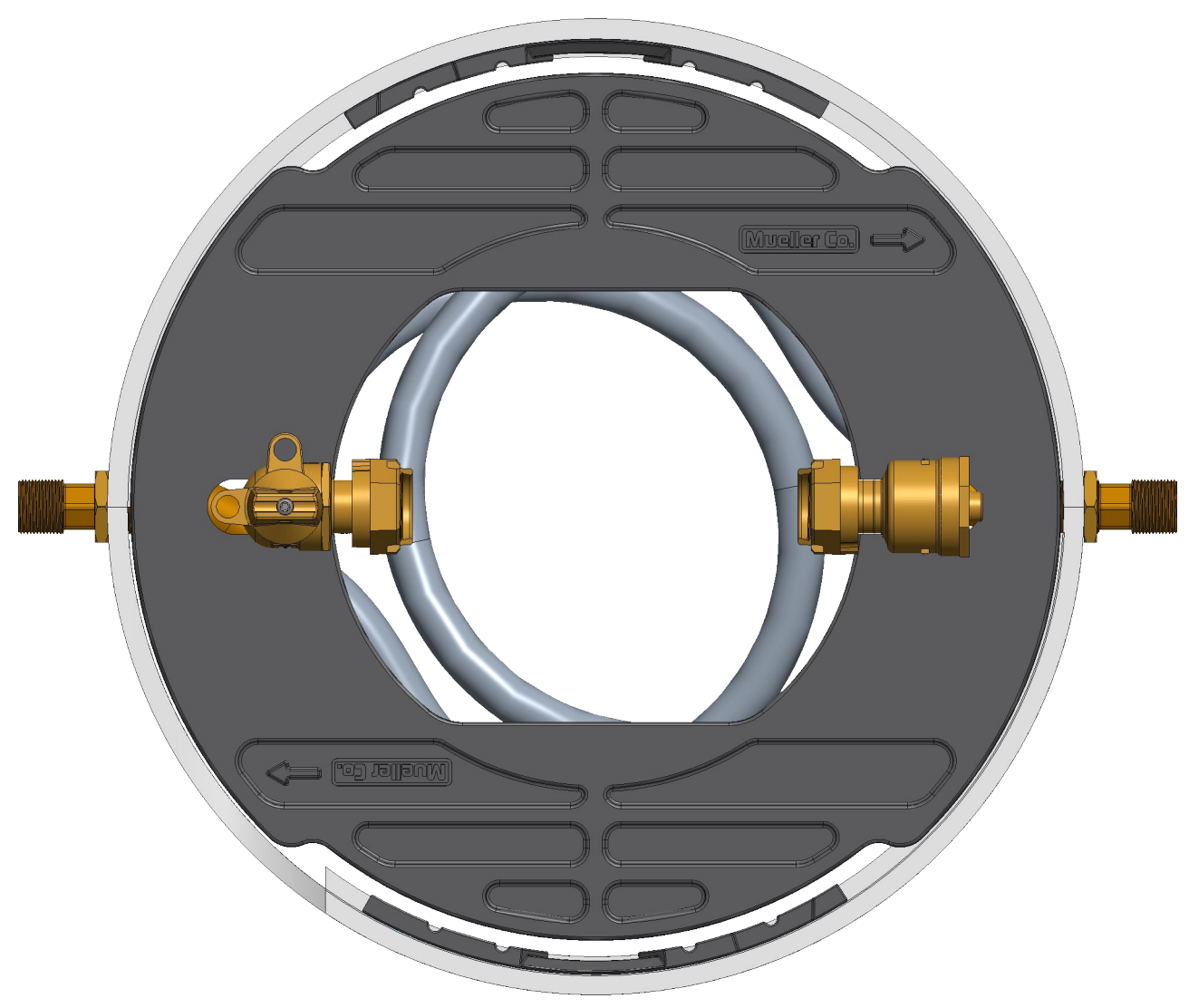


| ITEM NO | PART NUMBER | QTY | DESCRIPTION | MATERIAL |
|---------|-------------|-----|---|---|
| 1 | 311981 | 1 | ABS PLATFORM 18-40 | PLASTIC VIRGIN POLYLAC, PA747 ABS BLACK RESIN OR PROOFED EQUIVALENT RESIN |
| 2 | 700013_REVE | 4 | 3/4" HOSE CONNECTOR | RED BRASS ASTM B43 ALLOY C23000 061 TEMPER ANNEALED |
| 3 | 780012-1560 | 2 | 3/4" COIL PART | POLYBUTYLENE RESIN BASELL AKOALIT PB4267 OR 4237 GREY |
| 4 | 780021-1860 | 1 | SHELL SUB ASSEMBLY | SDR-51 PVC PIPE ASTM D2241 GRADE 1120 |
| 5 | 780069 | 1 | 18" DIA CENTER LOCKING LID (NOT INCLUDED) | CAST IRON ASTM A126 CLASS B |
| 6 | 790006 | 8 | 3/4" HEX NUT | ASTM B16 ALLOY C36000 |
| 7 | 790153 | 1 | 18" INSULATION PAD (SOLD SEPARATELY) | ETHAFOAM 220 WHITE OR POLYLAM 1.7 DENSITY WHITE |
| 8 | 215B24265N | 1 | 5/8" X 3/4" FULL PORT BALL VALVE | LEAD FREE BRASS ALLOY ASTM B584 C89833/C87850 |
| 9 | 215H14244 | 1 | 5/8" X 3/4" DUAL CHECK VALVE | LEAD FREE BRASS ALLOY ASTM B584 C89833/C87850 |



3/4" NPT THREADS INLET AND OUTLET

| | | | | | |
|----------------|-----|---------|--|------------------------|-----------------------|
| DR. BY | AOD | 9/03/21 | UNLESS OTHERWISE NOTED | THIRD ANGLE PROJECTION | C.B. NO. |
| CHKR | | | BREAK CAST CORNER(S)--- | | |
| ENGR | | | BREAK MACH CORNER(S)--- | PURCH. | FINISH |
| MGR | | | TOLERANCES | REF. NO. | SCALE |
| MFG | | | UNLESS OTHERWISE NOTED | STR. NO. | |
| TOOL | | | LINEAR | ANGULAR | |
| FDRY | | | ± | ± | |
| MAT'L: | | | | | |
| MUELLER | | | DESCR. 3/4" COIL SINGLE METER PIT 18" DIA X 60" DEPTH LOW LEAD BRASS | | NUMBER 250CS1860FBBLN |