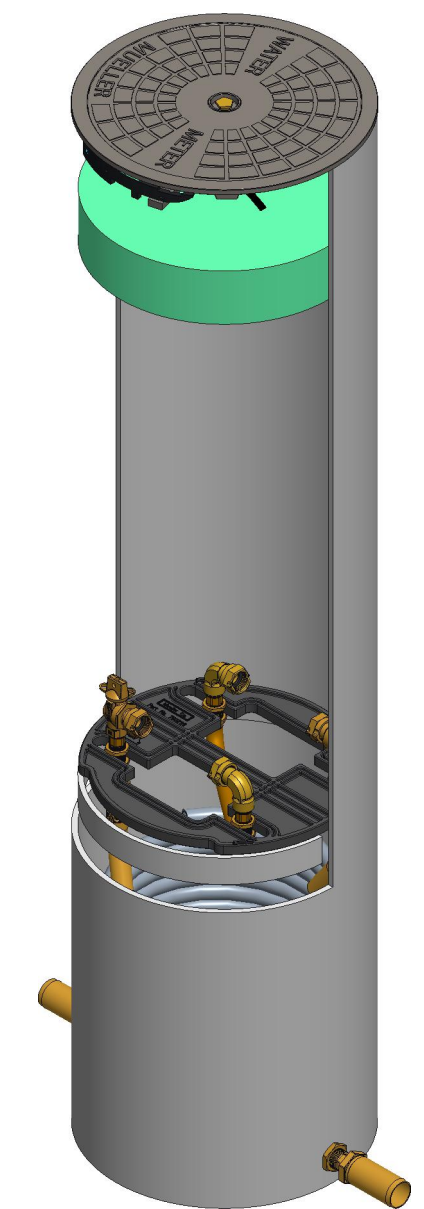
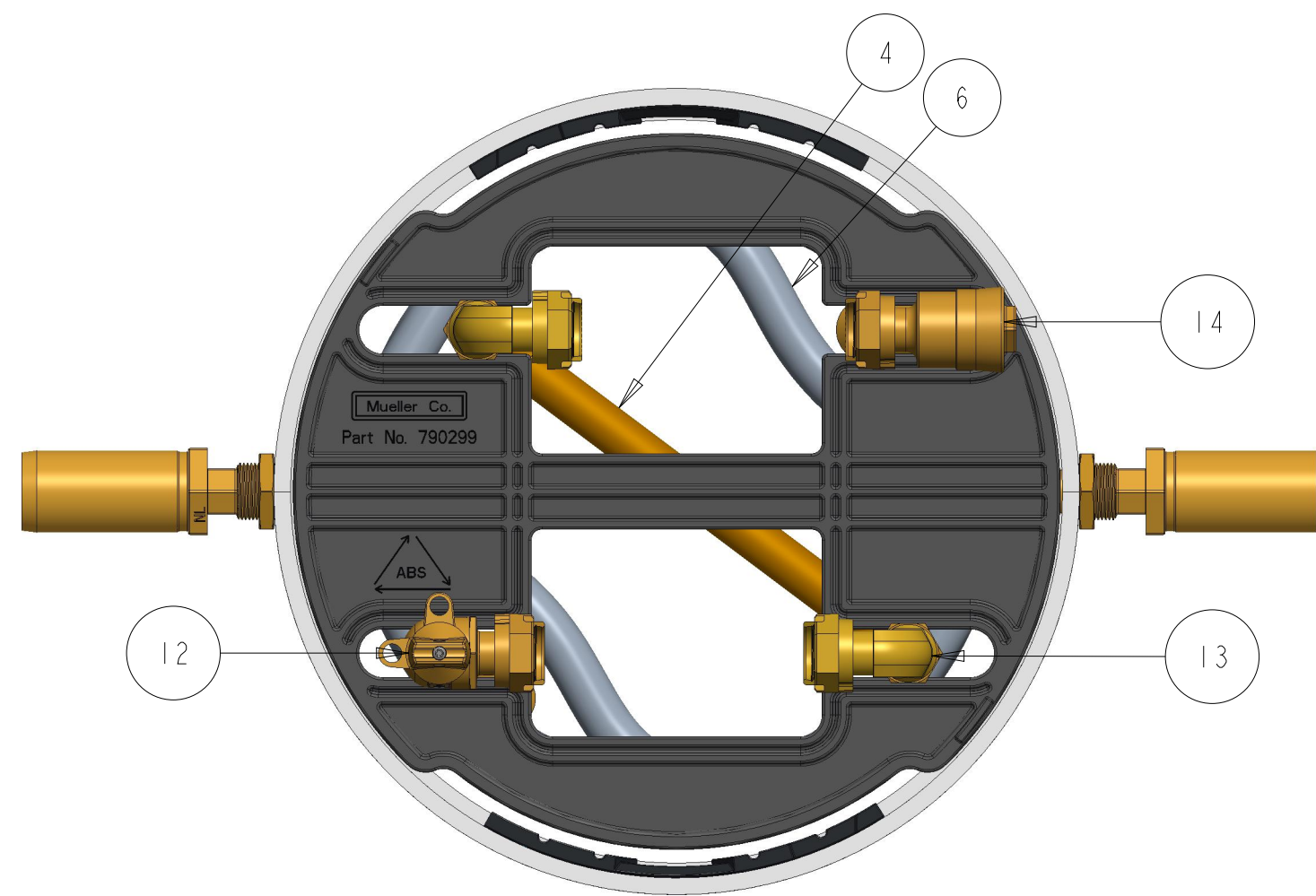


ITEM NO	PART NUMBER	QTY	DESCRIPTION	MATERIAL
1	700014	4	1" HOSE CONNECTOR	RED BRASS ASTM B43 ALLOY C23000 O61 TEMPER ANNEALED
2	700066	2	1" - 11.5 N.P.T. ADAPTER	
3	700131	2	3/4" NIPPLE WITH WRENCH FLATS	RED BRASS ASTM B43 ALLOY C23000 O61 TEMPER ANNEALED
4	700158	1	3/4" U-BAR	RED BRASS ASTM B43 ALLOY C23000 O61 TEMPER ANNEALED
5	780023-1876	1	SHELL SUB ASSEMBLY	SDR-51 PVC PIPE ASTM D2241 GRADE 1120
6	780034-1876	2	1" COIL PART	PB 2110 CL 250 SDR-9
7	780069	1	18" DIA CENTER LOCKING LID (NOT INCLUDED)	CAST IRON ASTM A126 CLASS B
8	790006	8	3/4" HEX NUT	ASTM B16 ALLOY C36000
9	790010	4	1" HEX NUT	ASTM B16 ALLOY C36000
10	790153	1	18" INSULATION PAD (SOLD SEPARATELY)	ETHAFOAM 220 WHITE OR POLYLAM 1.7 DENSITY WHITE
11	790299_REVC	1	18" COMPOSITE PLATFORM	PASTIC VIRGIN POLYLAC, PA747 ABS BLACK RESIN OR PROOFED EQUIVALENT RESIN
12	215B24265N	1	5/8" X 3/4" FULL PORT BALL VALVE	LEAD FREE BRASS ALLOY ASTM B584 C89833/C87850
13	215HI4210	2	5/8" X 3/4" METER COUPLING (SWIVEL NUT)	LEAD FREE BRASS ALLOY ASTM B584 C89833/C87850
14	215HI4244AN	1	5/8" X 3/4" ASSE DUAL CHECK VALVE	LEAD FREE BRASS ALLOY ASTM B584 C89833/C87850
15	790059E	2	1" X 3/4" BELL REDUCER	LEAD FREE BRASS ALLOY ASTM B584 C89833/C87850



OPTION CODE: 000664
 *1" COIL
 *FOR WATTS 5M3-Z6
 *700066 INSTALLED ON INLET & OUTLET

DR. BY	BBF	8/25/17	UNLESS OTHERWISE NOTED	THIRD ANGLE PROJECTION	C.B. NO.
CHKR			BREAK CAST CORNER(S)---		
ENGR			BREAK MACH CORNER(S)---	PURCH.	FINISH
MGR			TOLERANCES	REF. NO.	SCALE
MFG			UNLESS OTHERWISE NOTED	STR. NO.	
TOOL			LINEAR	ANGULAR	
FDRY			±	±	
MAT'L:					
MUELLER			DESCR.	NUMBER	
			3/4" COIL TANDEM METER PIT 18" DIA X 76" DEPTH LOW LEAD BRASS	250CT1876FSBL000664N	