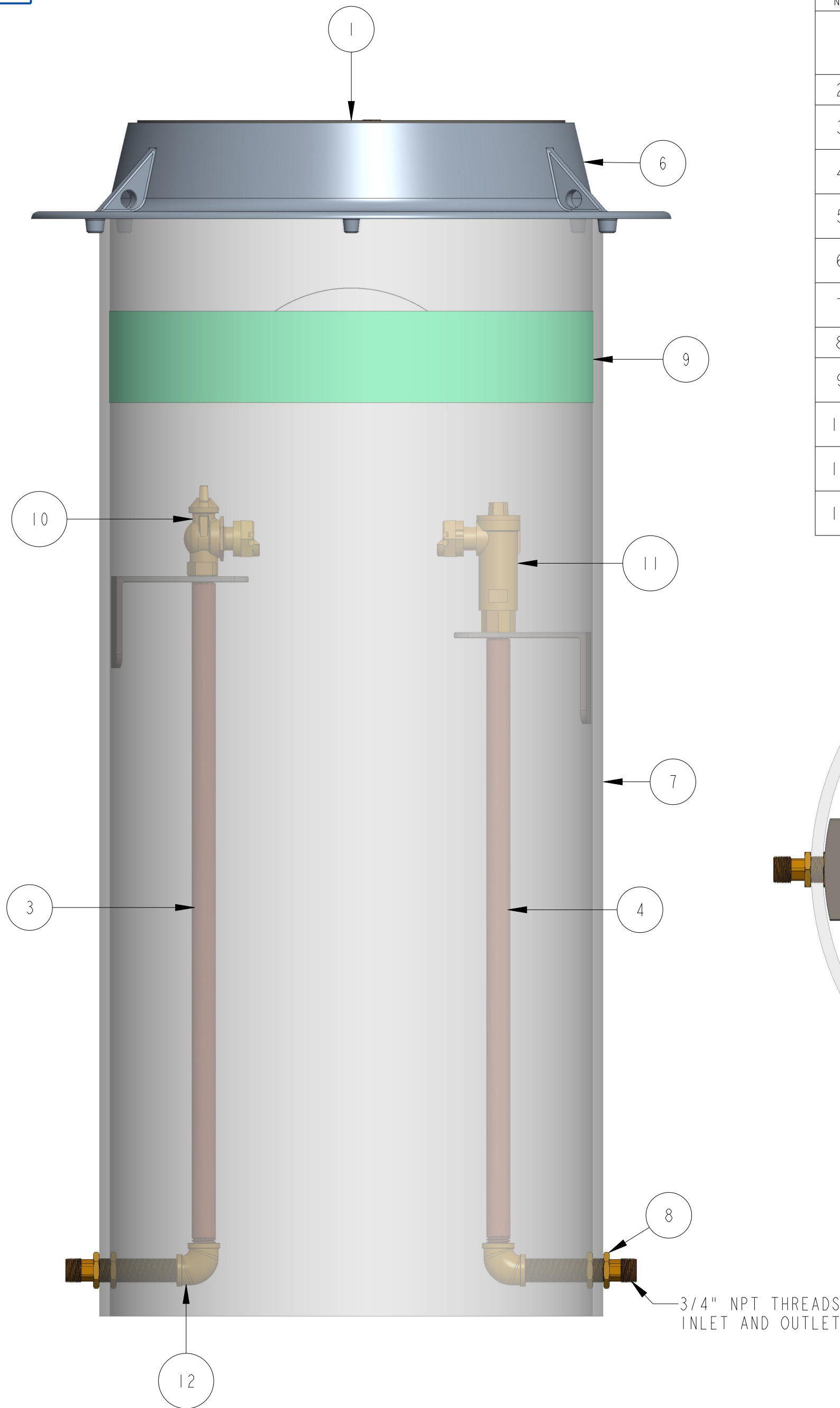
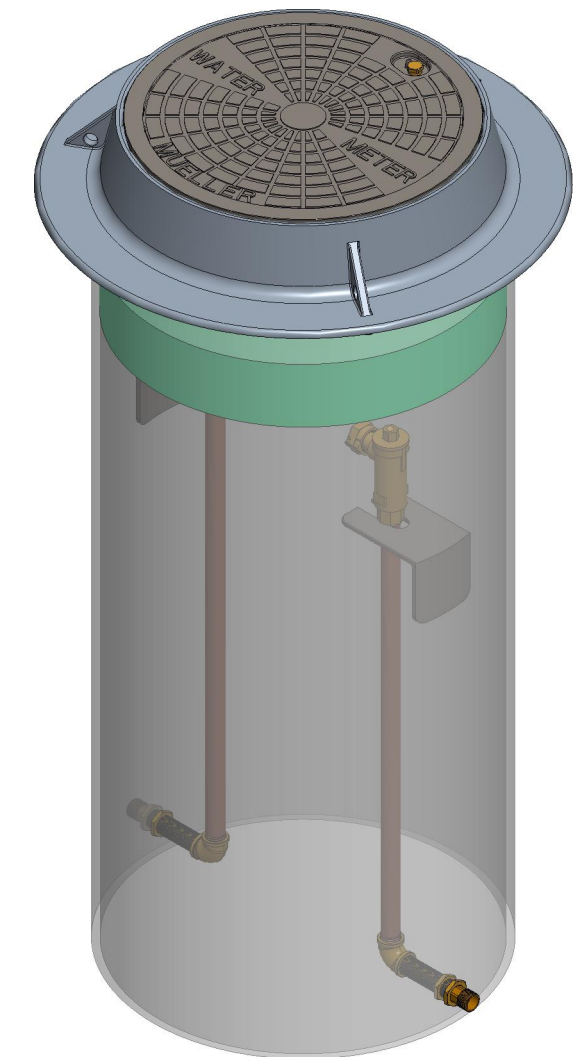
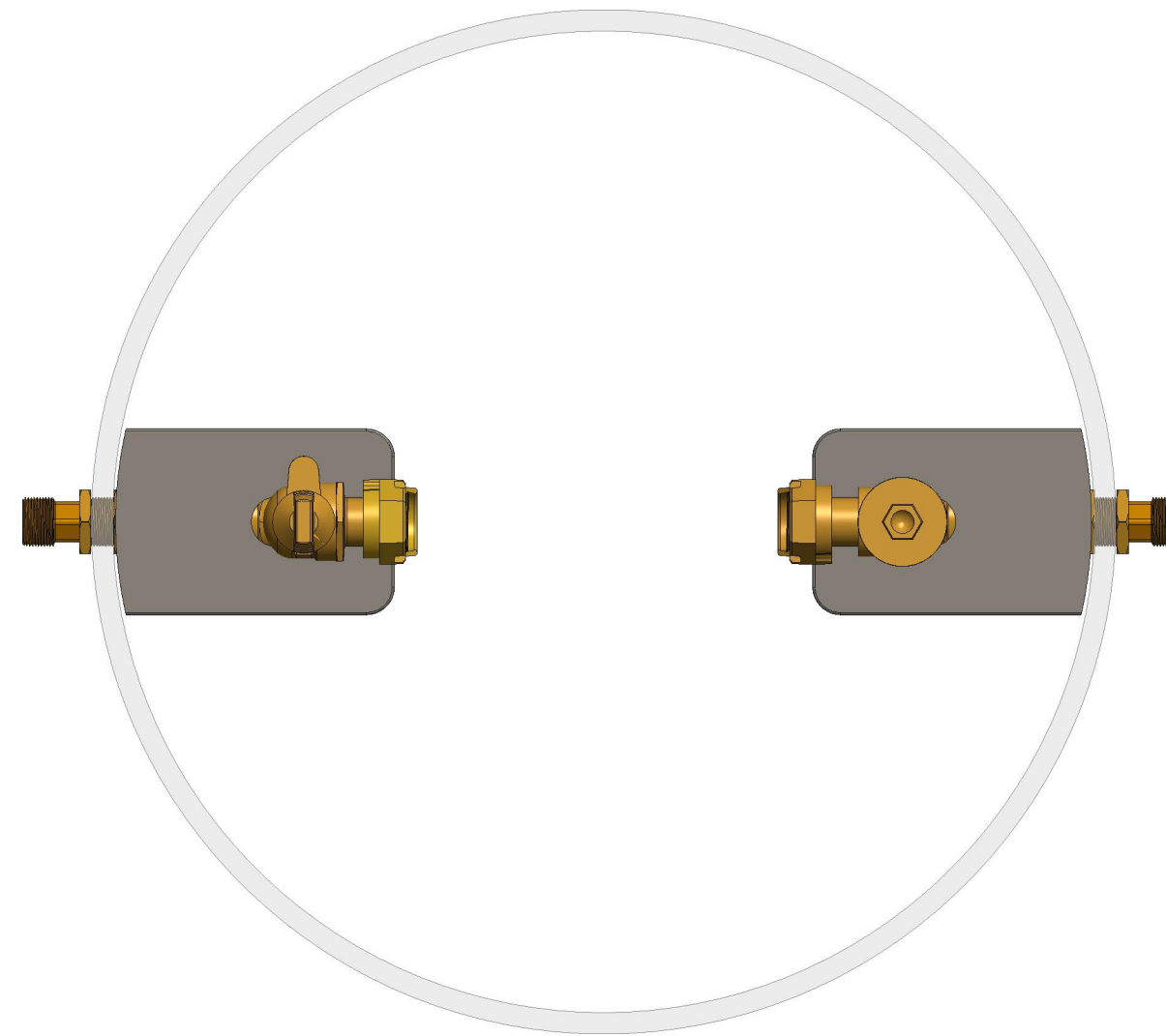


250RS2148RVBSN



ITEM NO	PART NUMBER	QTY	DESCRIPTION	MATERIAL
1	282925	1	18" DIA CAST IRON SIDE LOCKING LID (SOLD SEPARATELY)	CAST IRON ASTM A126 CLASS B
2	546397	2	SUPPORT BRACKET	BLACK PLASTIC ABS
3	551858	1	RISER	RED BRASS ASTM B43 ALLOY C23000 O61 TEMPER ANNEALED
4	551859	1	RISER	RED BRASS ASTM B43 ALLOY C23000 O61 TEMPER ANNEALED
5	551965	2	3/4" NIPPLE WITH WRENCH FLATS	RED BRASS ASTM B43 ALLOY C23000 O61 TEMPER ANNEALED
6	700098-1	1	CAST IRON FRAME (PURCHASED SEPARATELY)	CAST IRON ASTM A48 CLASS 25A
7	780081-2148	1	SHELL	SDR-51 PVC PIPE ASTM D2241 GRADE 1120
8	790006	4	3/4" HEX NUT	ASTM B16 ALLOY C36000
9	790119	1	21" X 4" INSULATION PAD (SOLD SEPARATELY)	ETHAFOAM 220 WHITE
10	215B24265RN	1	5/8" X 3/4" REDUCED PORT BALL VALVE	LEAD FREE BRASS ALLOY ASTM B584 C89833/C87850
11	215HI4460AN	1	5/8" X 3/4" VERTICAL ASSE APPROVED CHECK VALVE	LEAD FREE BRASS ALLOY ASTM B584 C89833/C87850
12	790026E	2	3/4" FNPT THREADED ELBOW	LEAD FREE BRASS ASTM B584 C89833



(B)
 REVISED LAY LENGTHS
 CHANGED BULKHEAD NIPPLE LENGTH
 AOD
 10/31/22

DR. BY	AOD	1/14/22	UNLESS OTHERWISE NOTED	THIRD ANGLE PROJECTION	C.B. NO.	
CHKR			BREAK CAST CORNER(S)---			
ENGR			BREAK MACH CORNER(S)---	PURCH.	FINISH	
MGR			TOLERANCES	REF. NO.	SCALE	
MFG			UNLESS OTHERWISE NOTED	STR. NO.	PATT. NO.	
TOOL			LINEAR	±	ANGULAR	±
FDY						
MAT'L:						
MUELLER			DESCR. 3/4" RIGID SINGLE METER PIT 21" DIA X 48" DEPTH LOW LEAD BRASS		NUMBER 250RS2148RVBSN	