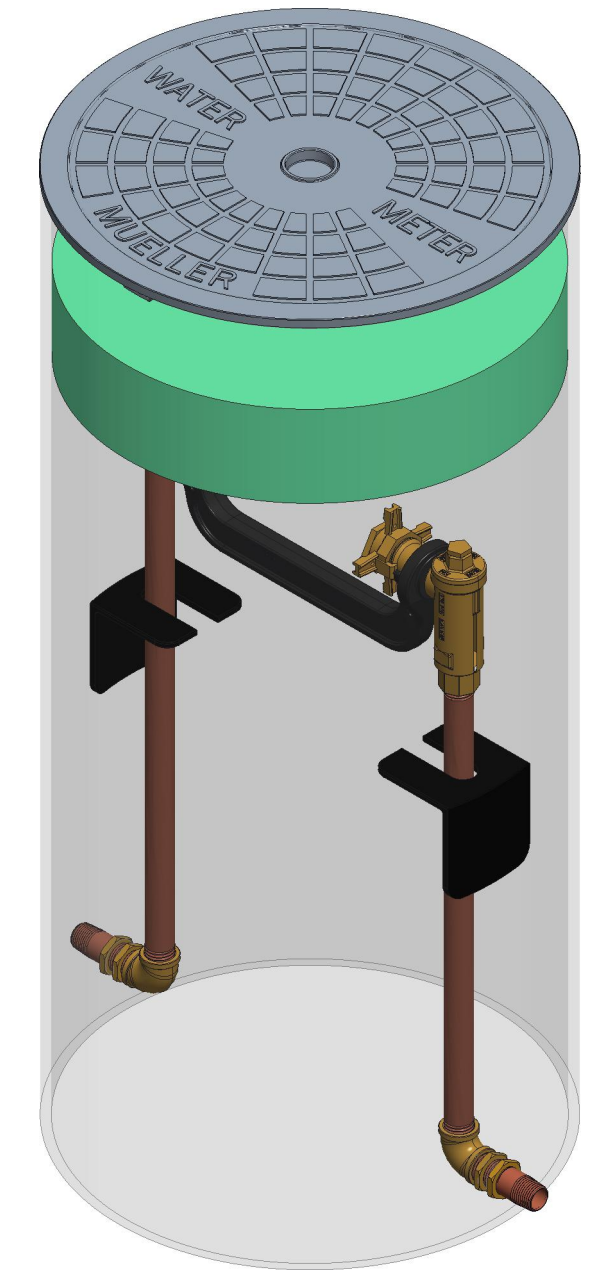
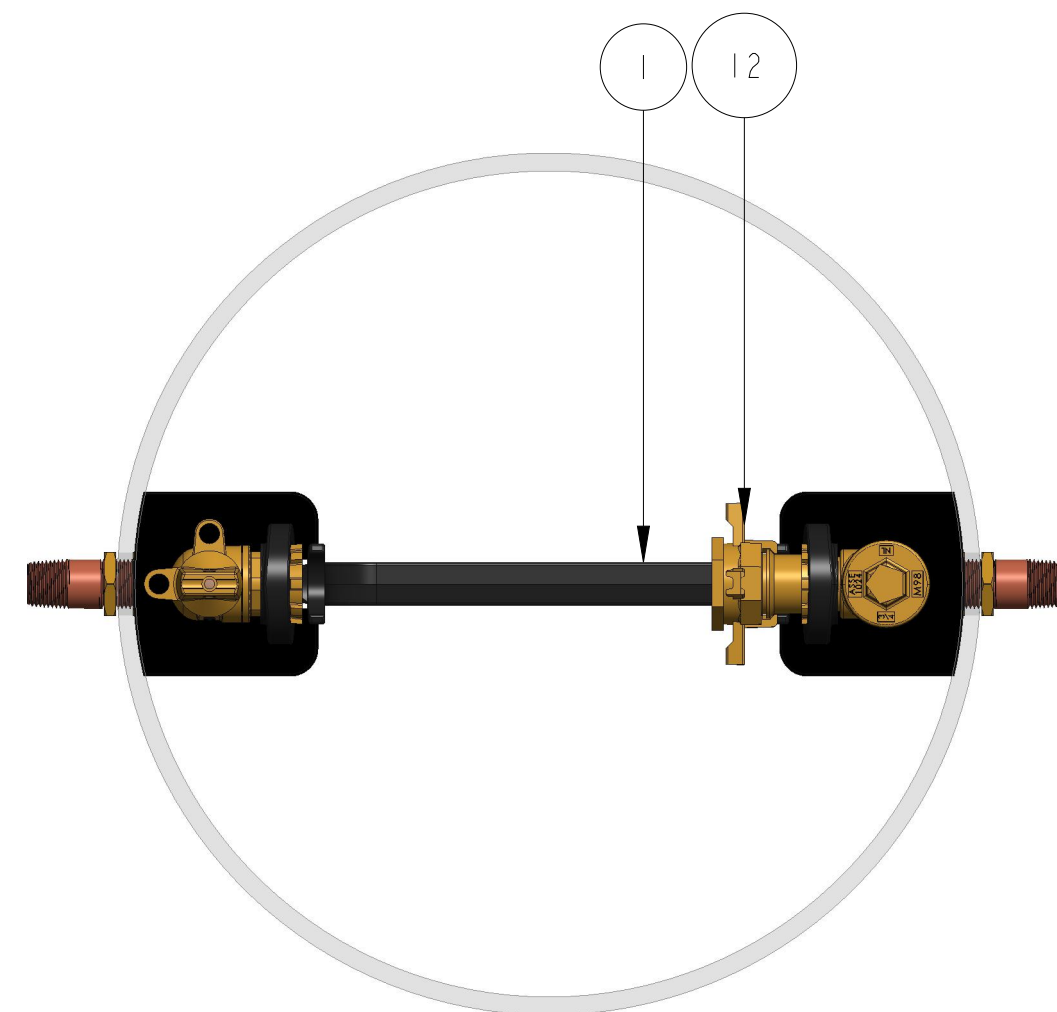


ITEM NO	PART NUMBER	QTY	DESCRIPTION	MATERIAL
1	509240-1	1	3/4" H-5030 METER YOKE BAR	CAST IRON ASTM A126 CLASS B OR DUCTILE IRON ASTM A536 64-45-12
2	546396	2	3/4" SUPPORT BRACKET	BLACK PLASTIC ABS
3	551945	1	RISER	RED BRASS ASTM B43 ALLOY C23000 O61 TEMPER ANNEALED
4	551946	1	RISER	RED BRASS ASTM B43 ALLOY C23000 O61 TEMPER ANNEALED
5	700024-1840	1	SHELL	SDR-51 PVC PIPE ASTM D2241 GRADE 1120
6	700026	2	3/4" BULKHEAD NIPPLE	RED BRASS ASTM B43 ALLOY C23000 O61 TEMPER ANNEALED
7	790006	4	3/4" HEX NUT	ASTM B16 ALLOY C36000
8	790018	1	18" NON LOCKING FLAT LID (SOLD SEPERATELY)	CAST IRON
9	790153	1	18" INSULATION PAD (SOLD SEPERATELY)	ETHAFOAM 220 WHITE OR POLYLAM 1.7 DENSITY WHITE
10	215B24278N	1	5/8" X 3/4" BALL ANGLE METER VALVE	LEAD FREE BRASS ALLOY ASTM B584 C89833/C87850
11	215H1446405N	1	5/8" X 3/4" ANGLE CHECK VALVE	LEAD FREE BRASS ALLOY ASTM B584 C89833/C87850
12	250H14234N	1	3/4" HANDWHEEL EXPANSION	LEAD FREE BRASS ALLOY ASTM B584 C89833/C87850
13	790026E	2	3/4" FNPT THREADED ELBOW	LEAD FREE BRASS ASTM B584 C89833



DR. BY	AOD	8/09/22	UNLESS OTHERWISE NOTED	THIRD ANGLE PROJECTION	C.B. NO.
CHKR			BREAK CAST CORNER(S)---		
ENGR			BREAK MACH CORNER(S)---	PURCH.	FINISH
MGR			TOLERANCES	REF. NO.	SCALE
MFG			UNLESS OTHERWISE NOTED	STR. NO.	
TOOL			LINEAR	ANGULAR	
FDRY			±	±	
MAT'L:					
MUELLER		DESCR. 3/4" YOKE SINGLE METER PIT 18" DIA X 40" DEPTH LOW LEAD BRASS		NUMBER 250YS1840RVBSN	