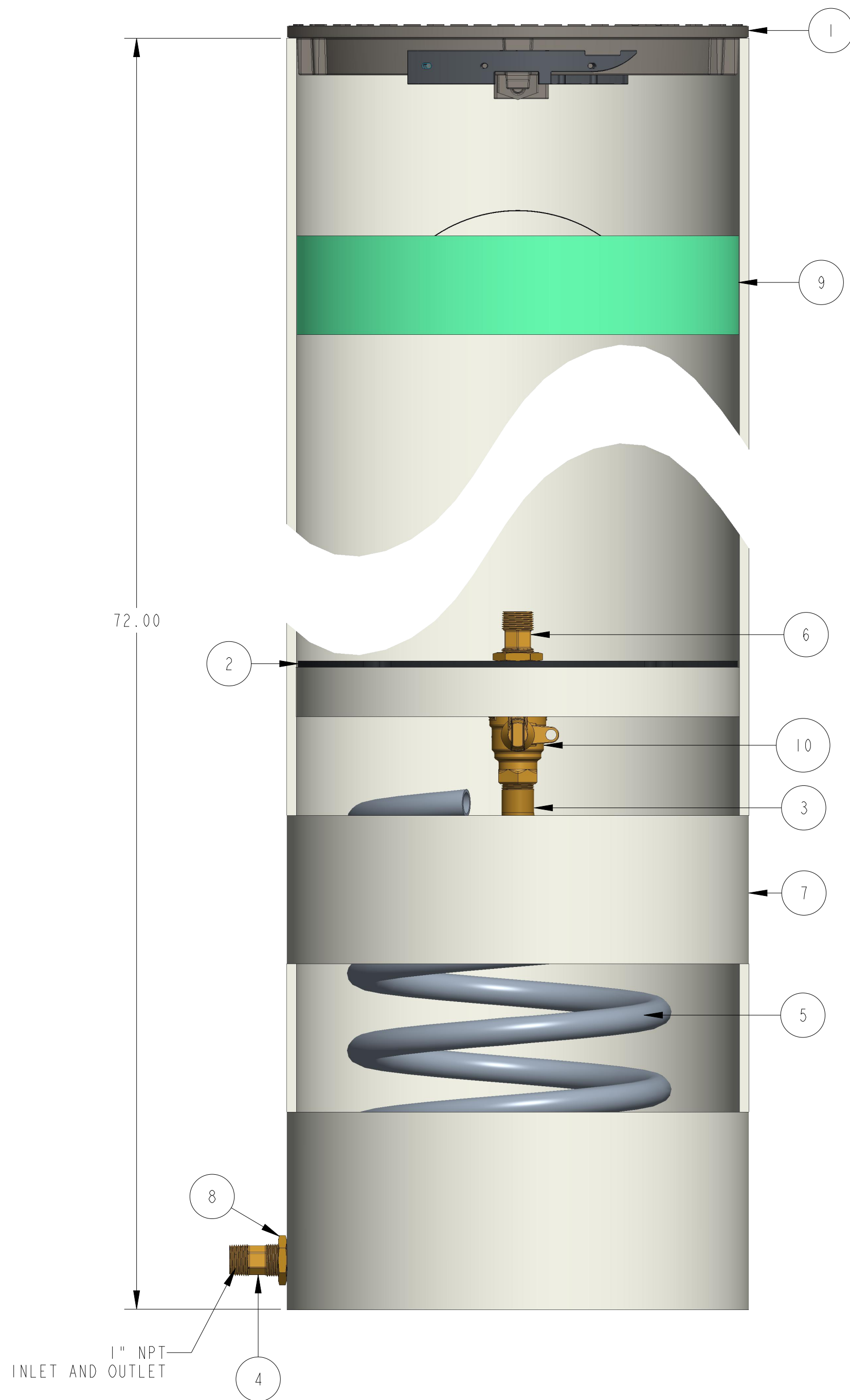
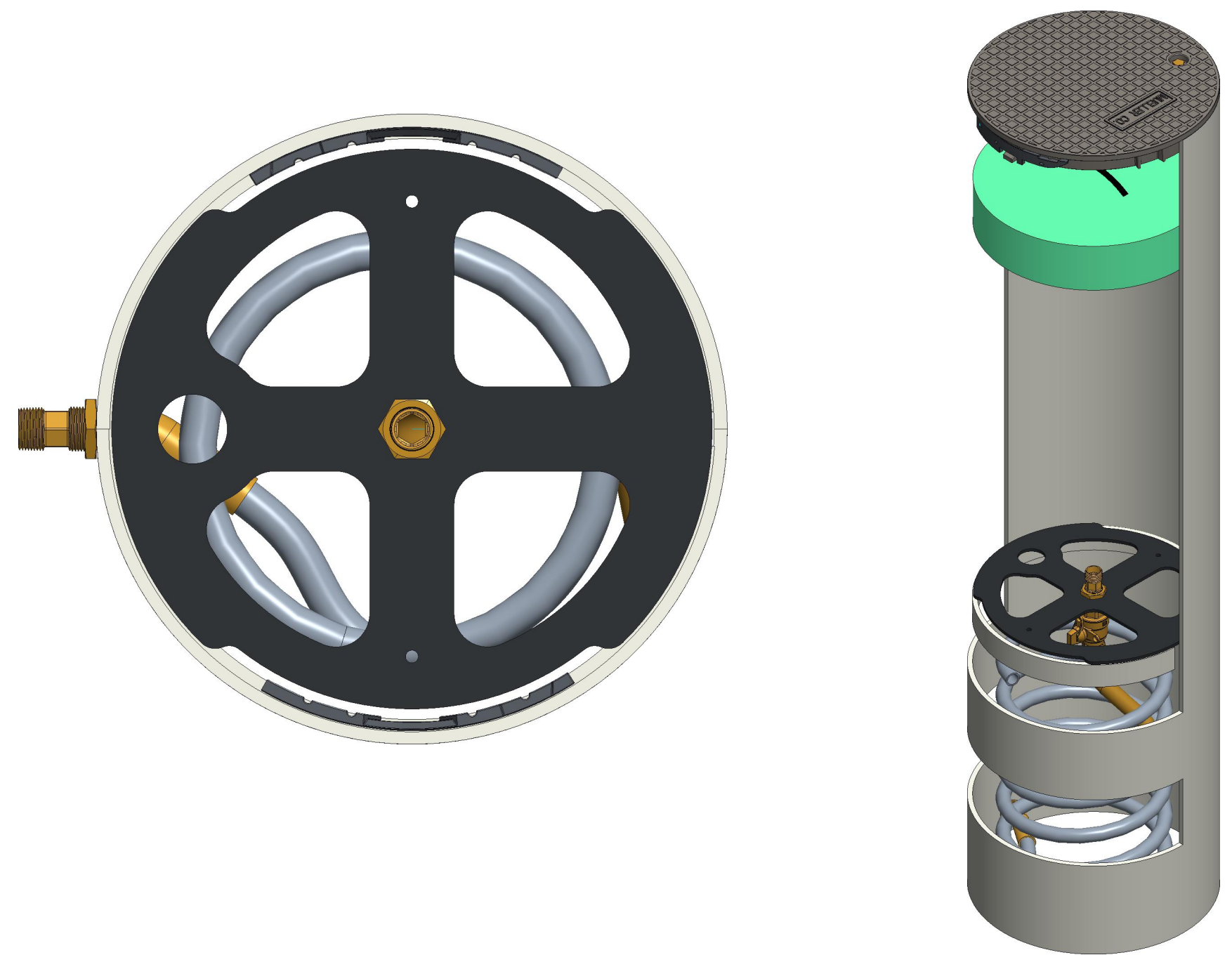


330AR1872--BS000088N



ITEM NO	PART NUMBER	QTY	DESCRIPTION	MATERIAL
1	311955	1	18" DIA SIDE LOCKING COMPOSITE LID (SOLD SEPARATELY)	COMPOSITE MATERIAL
2	547588	1	18" DIA STEEL PLATFORM	BLUE RILSAN COATED A36 CARBON STEEL SHEET
3	548451	1	1" EXTENDED THREADED CONNECTOR	RED BRASS ASTM B43 ALLOY C23000 O61 TEMPER ANNEALED
4	700014	1	1" HOSE CONNECTOR	RED BRASS ASTM B43 ALLOY C23000 O61 TEMPER ANNEALED
5	700046-1872	1	COIL PART	POLYBUTYLENE RESIN BASELL AKOALIT PB4267 OR 4237 GREY
6	700581	1	1" X 3-3/4" NIPPLE WITH FLATS	RED BRASS ASTM B43 ALLOY C23000 O61 TEMPER ANNEALED
7	780094-1872	1	SHELL SUB ASSEMBLY	SDR-51 PVC PIPE ASTM D2241 GRADE 1120
8	790010	4	1" HEX NUT	ASTM B16 ALLOY C36000
9	790153	1	18" INSULATION PAD (SOLD SEPARATELY)	ETHAFOAM 220 WHITE OR POLYLAM 1.7 DENSITY WHITE
10	330B20200N	1	1" INLINE BALL VALVE	LEAD FREE BRASS ALLOY ASTM B584 C89833/C87850



OPTION CODE 88:  
\*BALL VALVE INSTEAD OF ORISEAL VALVE

DR. BY	AOD	2/07/22	UNLESS OTHERWISE NOTED	THIRD ANGLE PROJECTION	C.B. NO.
CHKR			BREAK CAST CORNER(S)---		
ENGR			BREAK MACH CORNER(S)---	PURCH.	FINISH
MGR			TOLERANCES	REF. NO.	PATT. NO.
MFG			UNLESS OTHERWISE NOTED	SCALE	
TOOL			LINEAR	ANGULAR	
FDRY			±	±	STR. NO.
MAT'L:					
<b>MUELLER</b>			DESCR. 1" AIR RELEASE METER PIT 18" DIA X 72" DEPTH LEAD FREE BRASS		NUMBER 330AR1872--BS000088N