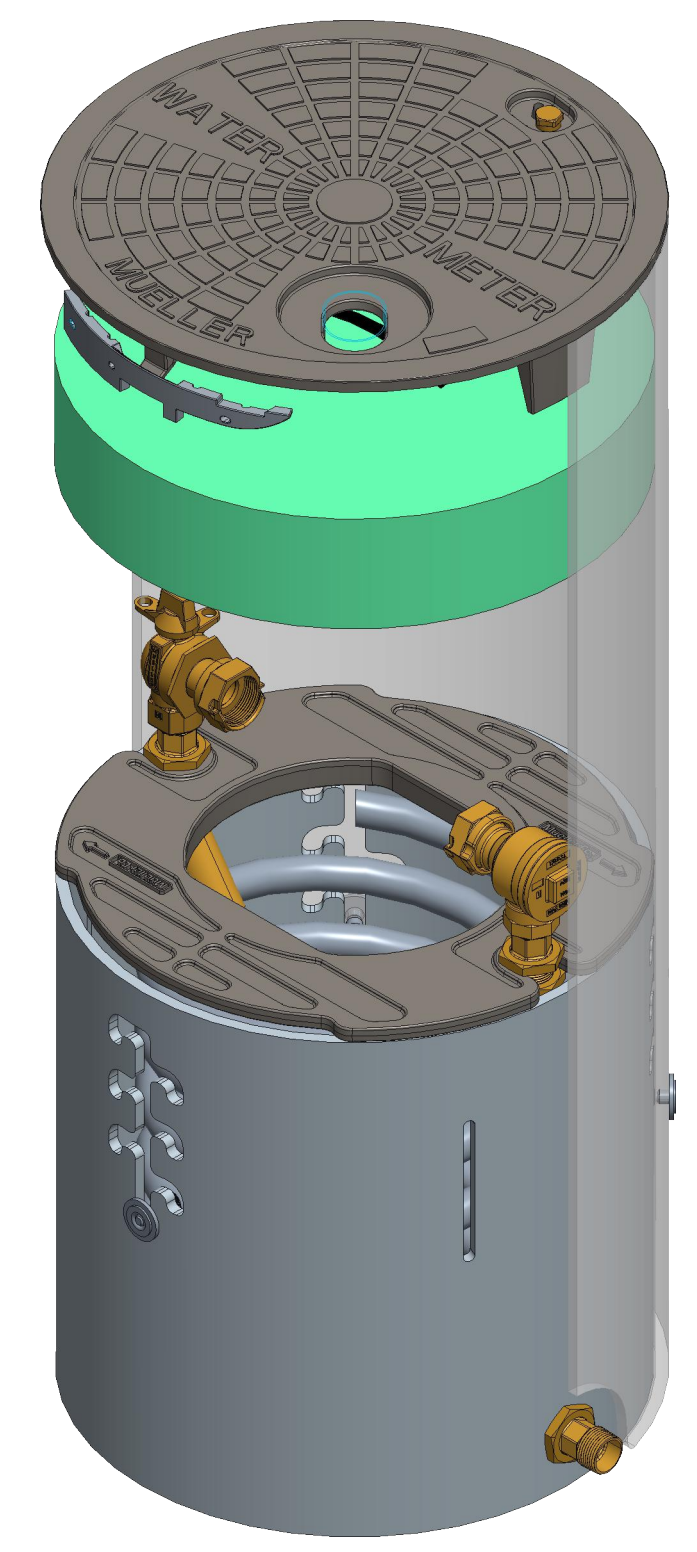
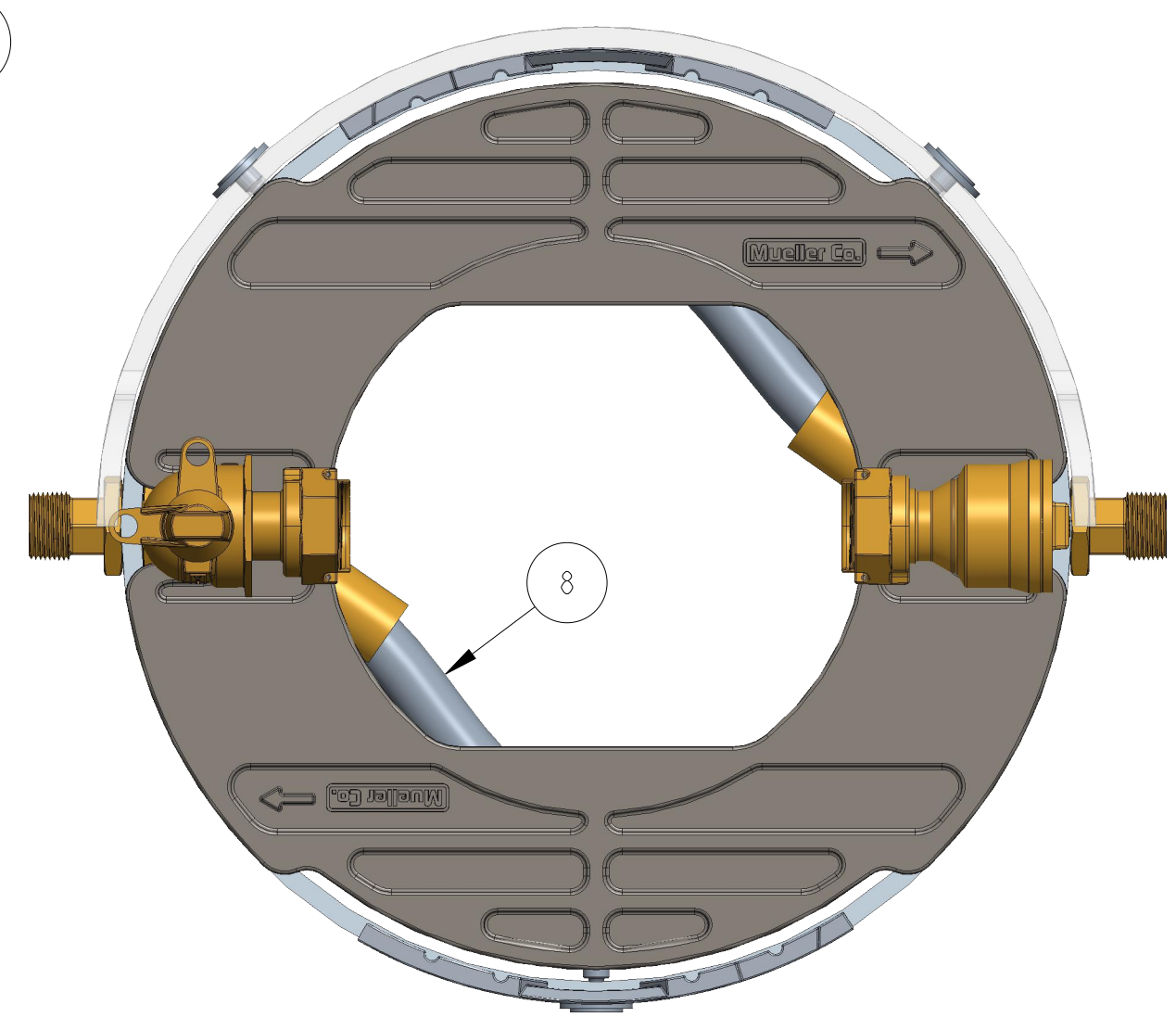
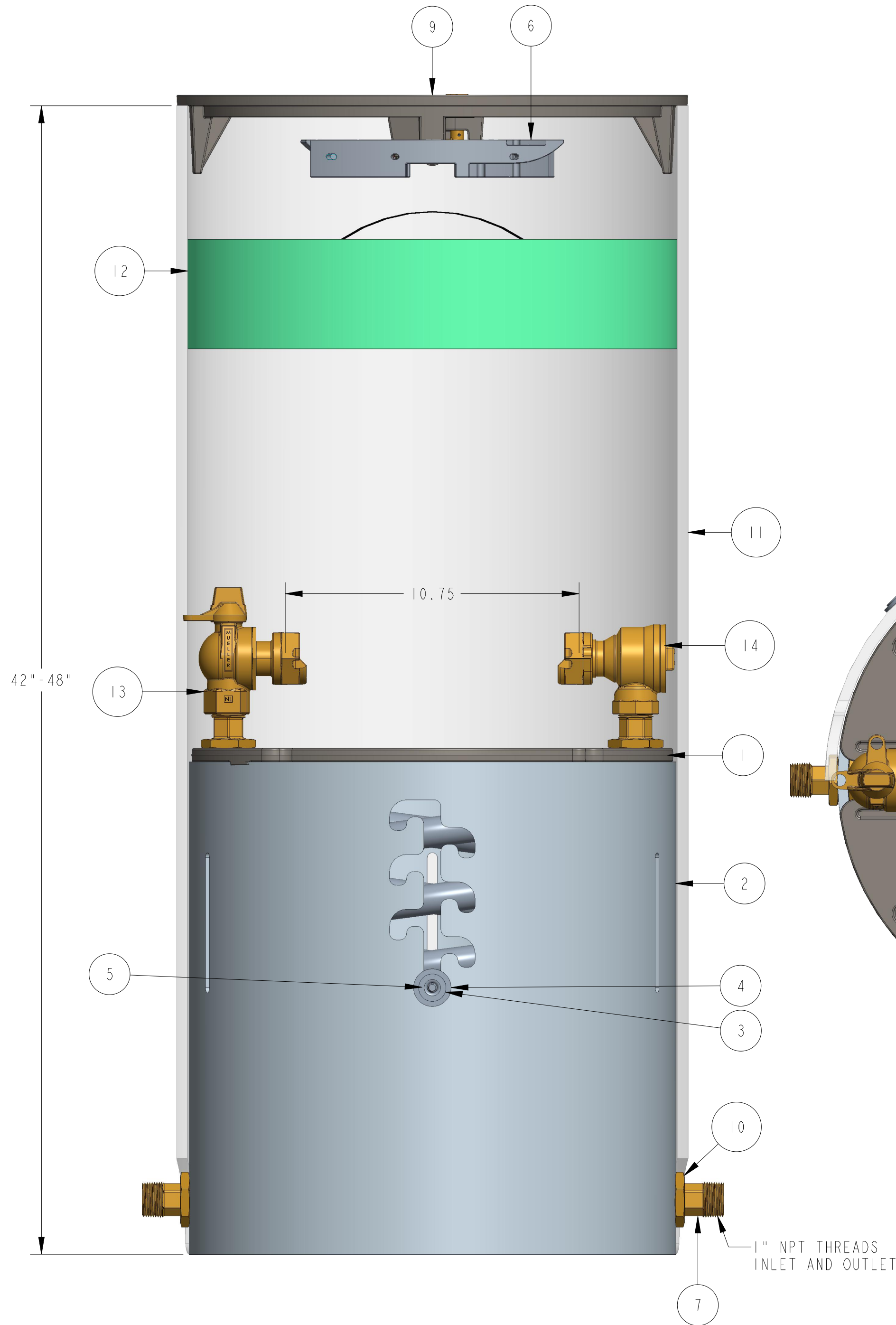


ITEM NO	PART NUMBER	QTY	DESCRIPTION
1	311968	1	18-10 ABS PLATFORM
2	545215-1806	1	INSIDE CARTRIDGE - 6" RISE
3	545216	3	T-NUT
4	545217	3	STAINLESS STEEL WASHER
5	545218	3	3/8-16 SHOULDER BOLT
6	548357	2	15" & 18" UNIVERSAL BRACKET
7	700014	4	1" HOSE CONNECTOR
8	700046-1848	2	1" COIL PART
9	780113	1	18" DIA CAST IRON LID W/ RECESSED TR (SOLD SEPARATELY)
10	790010	8	1" HEX NUT
11	790011-1842	1	18" ADJUSTA-COIL ASSEMBLY 36"-42"
12	790153	1	18" INSULATION PAD (SOLD SEPARATELY)
13	330B242653N	1	1" FULL PORT 360 BALL VALVE
14	330H14244AN	1	1" ANGLE DUAL CHECK ASSE APPROVED LLB



DR. BY	AOD	11/10/22	UNLESS OTHERWISE NOTED	THIRD ANGLE PROJECTION	C.B. NO.
CHKR			BREAK CAST CORNER(S)---		
ENGR			BREAK MACH CORNER(S)---	PURCH.	FINISH
MGR			TOLERANCES	REF. NO.	SCALE
MFG			UNLESS OTHERWISE NOTED	STR. NO.	
TOOL			L INEAR		
FDRY			±		
MAT'L:					
<b>MUELLER</b>			DESCR. 1" ADJUSTABLE SINGLE METER PIT 18" DIA X 42"-48" DEPTH LOW LEAD BRASS		NUMBER 330AS184248XSBSN