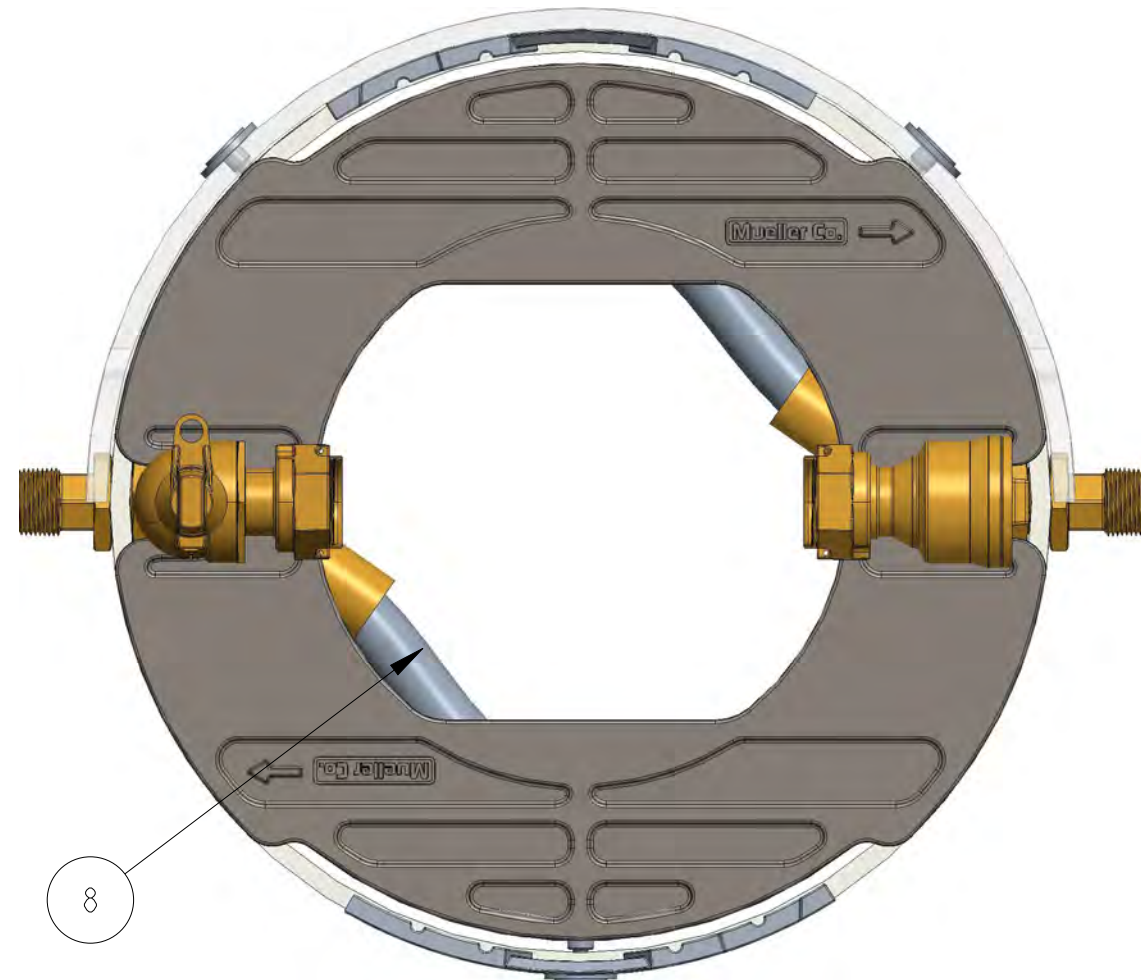
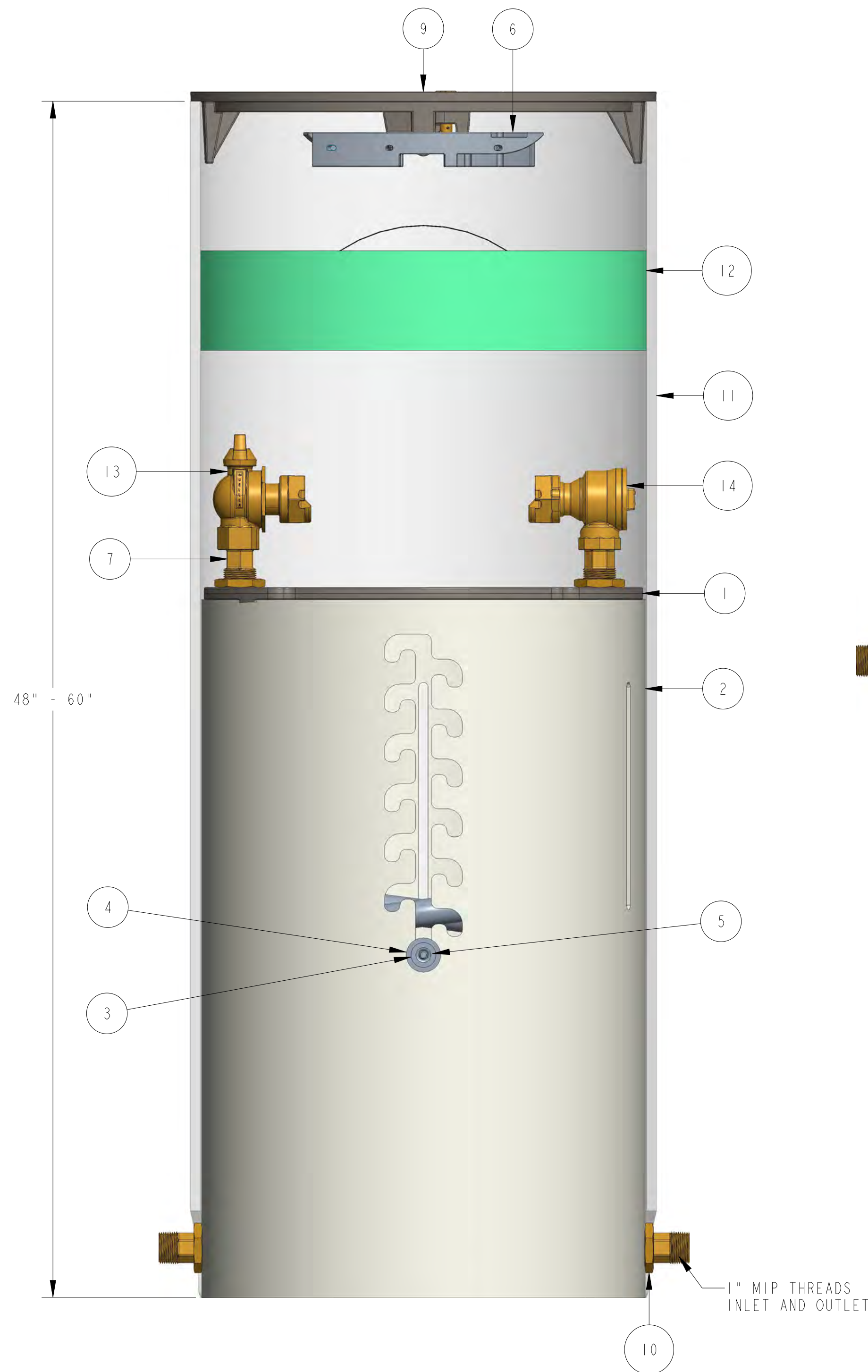


ITEM NO	PART NUMBER	QTY	DESCRIPTION
1	311968	1	18-10 ABS PLATFORM
2	545215-1812	1	17" INSIDE CARTRIDGE - 12" RISE
3	545216	3	T-NUT
4	545217	3	STAINLESS STEEL WASHER
5	545218	3	3/8-16 SHOULDER BOLT
6	548357	2	15" & 18" UNIVERSAL BRACKET
7	700014	4	1" HOSE CONNECTOR
8	700046-1848	2	1" COIL PART
9	780113	1	18" DIA CAST IRON LID W/ RECESSED TR (SOLD SEPARATELY)
10	790010	8	1" HEX NUT
11	790011-1848	1	18" ADJUSTA-SHELL ASSEMBLY 48"-60"
12	790153	1	18" INSULATION PAD (SOLD SEPARATELY)
13	330B24265	1	1" FULL PORT BALL VALVE
14	330HI4244AN	1	1" ANGLE DUAL CHECK ASSE APPROVED LLB



DR. BY	AOD	8/26/21	UNLESS OTHERWISE NOTED		THIRD ANGLE PROJECTION		C.B. NO.
CHKR			BREAK CAST CORNER(S)---				
ENGR			BREAK MACH CORNER(S)---		PURCH.	FINISH	PATT. NO.
MGR			TOLERANCES		REF. NO.	SCALE	
MFG			UNLESS OTHERWISE NOTED				
TOOL			LINEAR	ANGULAR			
FDRY			±	±	STR. NO.		
MAT'L:							
MUELLER			DESCR. 1" ADJUSTABLE SINGLE METER PIT 18" DIA X 48-60" DEPTH LOW LEAD BRASS			NUMBER 330AS184860FSBSN	