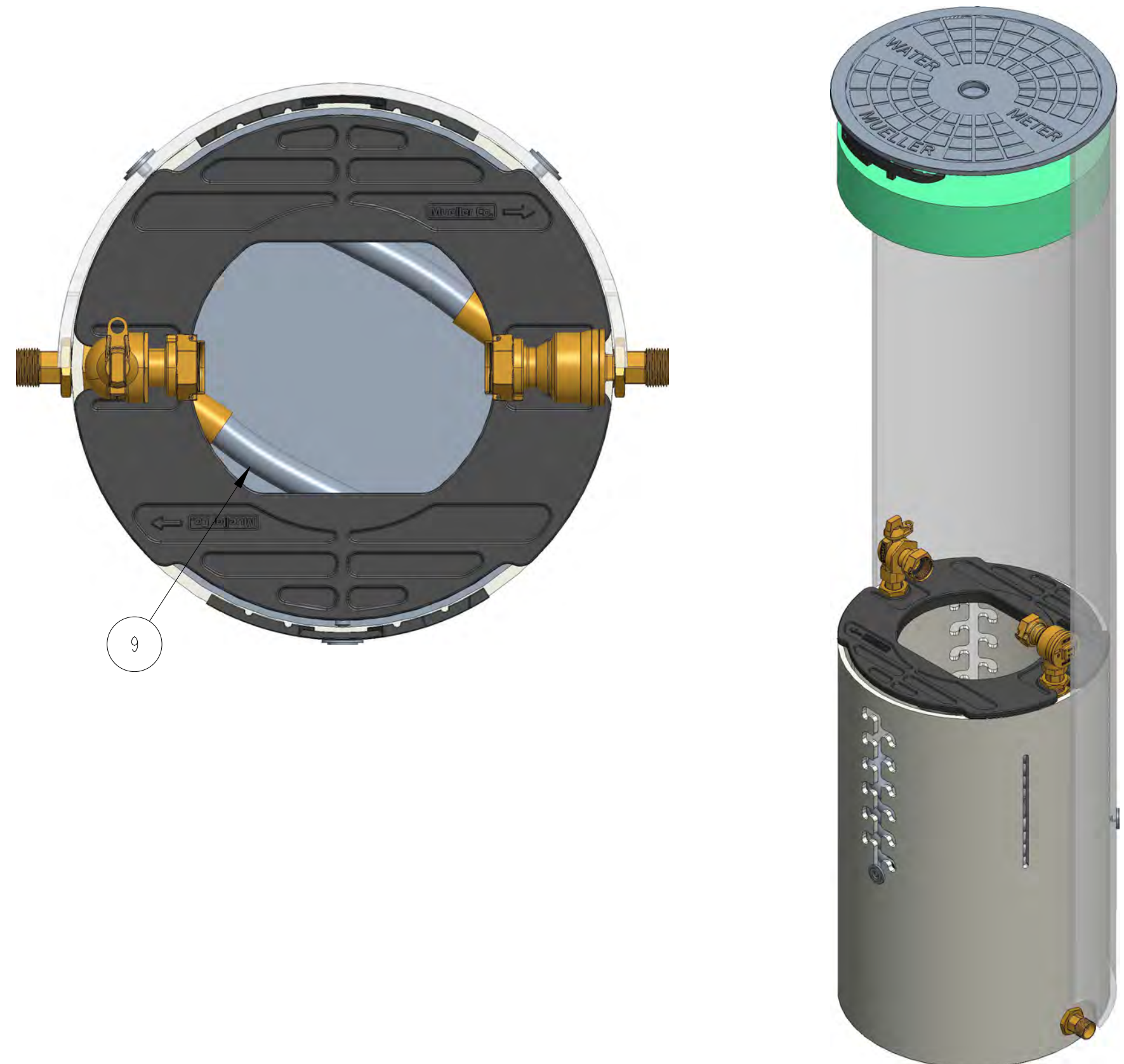


ITEM NO	PART NUMBER	QTY	DESCRIPTION
1	311968	1	18-10 ABS PLATFORM
2	545215-1812	1	17" INSIDE CARTRIDGE - 12" RISE
3	545216	3	T-NUT
4	545217	3	STAINLESS STEEL WASHER
5	545218	3	3/8-16 SHOULDER BOLT
6	548207	1	18" DIA STAINLESS STEEL BOTTOM
7	548357	2	15" & 18" UNIVERSAL BRACKET
8	700014	4	1" HOSE CONNECTOR
9	700046-1884	2	1" COIL PART
10	790010	8	1" HEX NUT
11	790011-1872	1	18" ADJUSTA-COIL ASSEMBLY 72"-84"
12	790018	1	18" NON LOCKING FLAT LID (SOLD SEPERATELY)
13	790153	1	18" INSULATION PAD (SOLD SEPERATELY)
14	330B24265	1	1" FULL PORT BALL VALVE
15	330HI4244AN	1	1" ANGLE DUAL CHECK ASSE APPROVED LLB



DR. BY	AOD	5/12/22	UNLESS OTHERWISE NOTED	THIRD ANGLE PROJECTION	C.B. NO.
CHKR			BREAK CAST CORNER(S)---		
ENGR			BREAK MACH CORNER(S)---	PURCH.	FINISH
MGR			TOLERANCES	REF. NO.	SCALE
MFG			UNLESS OTHERWISE NOTED	STR. NO.	
TOOL			LINEAR	ANGULAR	
FDRY			±	±	
MAT'L:					
MUELLER		DESCR. 1" ADJUSTABLE SINGLE METER PIT 18" DIA X 72"-84" DEPTH LOW LEAD BRASS		NUMBER 330AS187284FSASN	