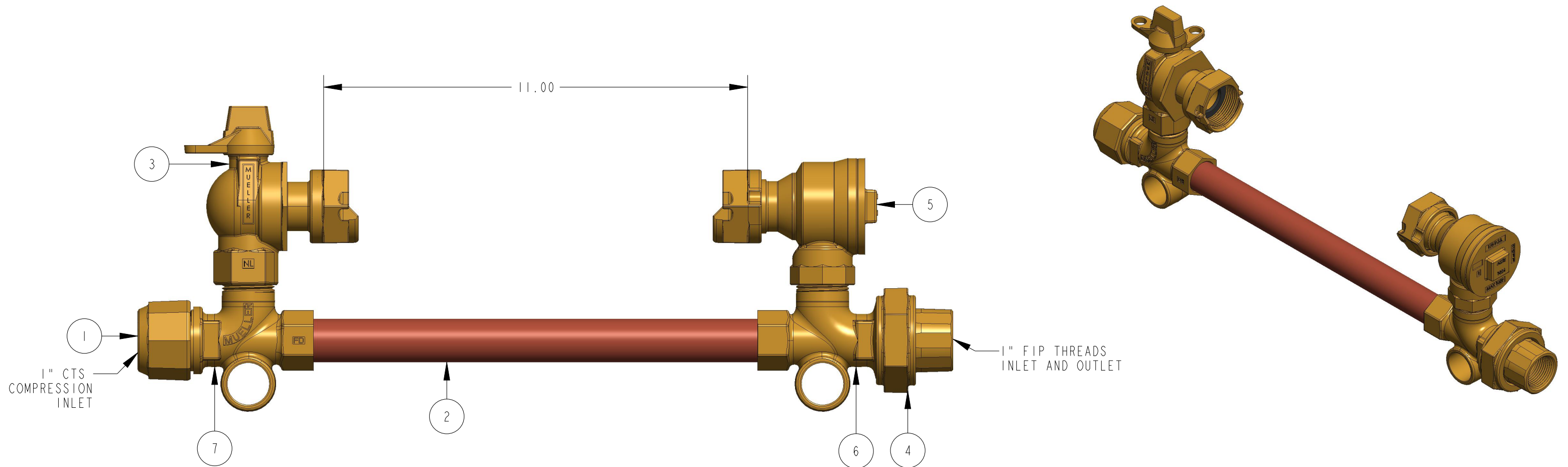



ITEM NO	PART NUMBER	QTY	DESCRIPTION	MATERIAL
1	507835	1	1" 110 CONNECTION NUT	LEAD FREE BRASS ALLOY ASTM B584 C89833/C87850
2	549631	1	1" COPPER TUBING	HARD COPPER ASTM B75, UNS C12200, H80 TEMPER
3	330B24265R3N	1	1" REDUCED PORT 360 BALL VALVE	LEAD FREE BRASS ALLOY ASTM B584 C89833/C87850
4	330HI4222N	1	1" MULTI-PURPOSE X FIP THREAD TAILPIECE LLB	LEAD FREE BRASS ALLOY ASTM B584 C89833/C87850
5	330HI4244AN	1	1" ANGLE DUAL CHECK ASSE APPROVED LLB	LEAD FREE BRASS ALLOY ASTM B584 C89833/C87850
6	546089E	1	1" INLINE BODY (MIP X MULTIPURPOSE)	FEDERALLOY 1-836 C89833
7	546092E	1	1" BODY (1" MIP X 1" MIP X 1" SOLDER)	FEDERALLOY 1-836 C89833



INTERPRET THIS DRAWING IN ACCORDANCE WITH ASME Y14.5 2018  UNLESS OTHERWISE SPECIFIED DIMENSIONS ARE IN INCHES. MACHINING TOLERANCES:  X ±.1 .XX ±.015 .XXX ±.005  ANGULAR CORNER BREAK FINISH ±1° .015/.025 125 µin. RA	NAME	DATE	THIRD ANGLE PROJECTION  <b>MUELLER</b> TITLE: <b>1" INLINE COPPER METER SETTER          LEAD FREE BRASS</b>		
	DRAWN BY	AOS		Mar-18-24	
	D.E. APPR.				
	M.E. APPR.				
	Q.A. APPR.				
DO NOT SCALE DRAWING					
	○ = CRITICAL ( ) = REFERENCE				
MATERIAL:			SIZE	DWG. NUMBER	REV
STK NUMBER:	REF.NO.		B	330B2518-R5A-N	A
			SCALE: 0.400	WT:	SHEET 1 OF 1

REVISIONS					
REV	ECR	DESCRIPTION	DRAWN BY	DATE	APPROVED
1					

TITLE TO AND OWNERSHIP OF THIS ENGINEERING DATA REMAINS IN Mueller Co. ASSENT ON THE PART OF THE RECIPIENT TO THESE CONDITIONS IS PRESUMED.