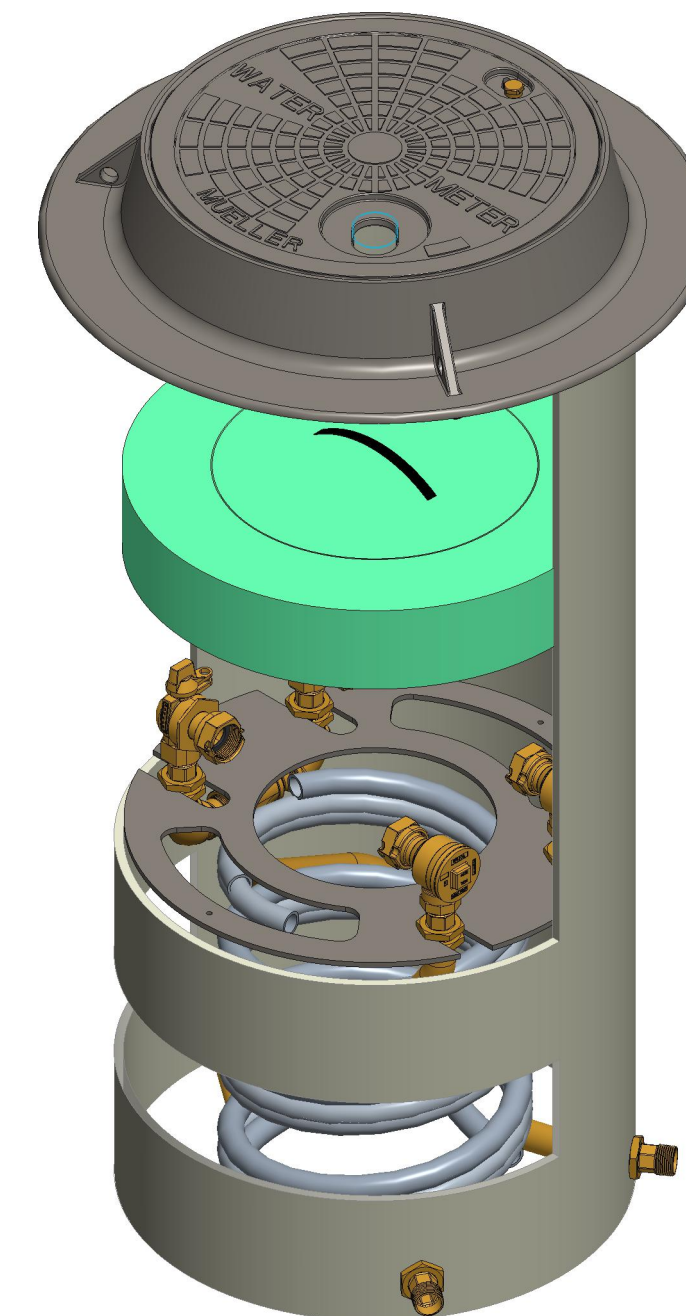
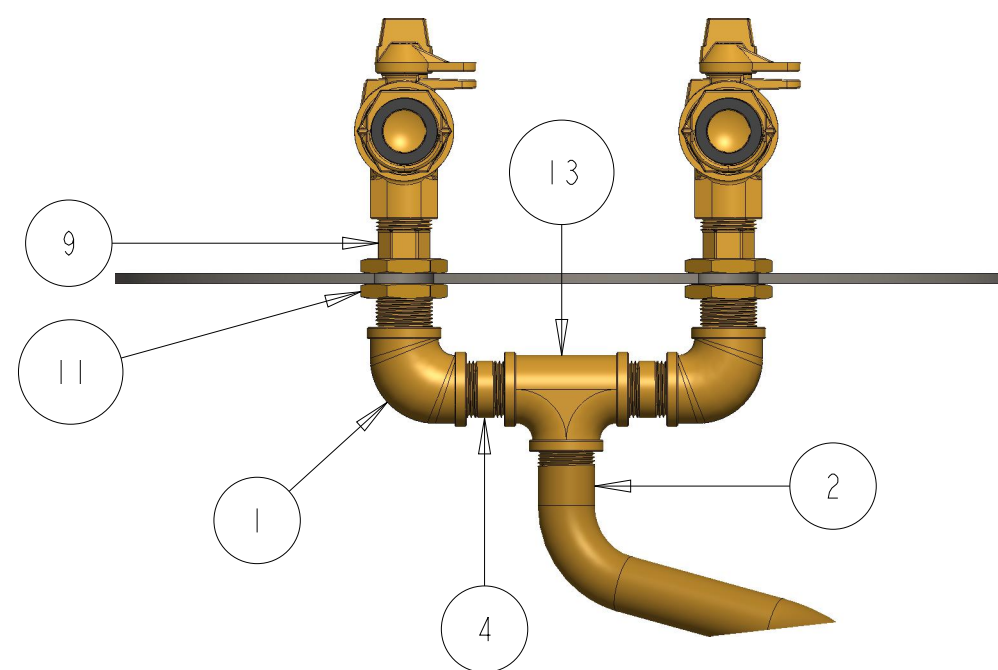


ITEM NO	PART NUMBER	QTY	DESCRIPTION	MATERIAL
1	094987	2	1" FNPT ELBOW	CAST BRONZE ASTM B584 ALLOY C89833
2	548451	1	1" EXTENDED THREADED CONNECTOR	RED BRASS ASTM B43 ALLOY C23000 O61 TEMPER ANNEALED
3	548593	1	21" STEEL PLATFORM	RILSAN COATED A36 CARBON STEEL
4	548605	2	NIPPLE 1" X 1-3/8"	RED BRASS ASTM B43 ALLOY C23000 O61 TEMPER ANNEALED
5	700014	5	1" HOSE CONNECTOR	RED BRASS ASTM B43 ALLOY C23000 O61 TEMPER ANNEALED
6	700024-2148	1	SHELL SUB ASSEMBLY	SDR-51 PVC PIPE ASTM D2241 GRADE 1120
7	700046-1848	3	1" COIL PART	POLYBUTYLENE RESIN BASELL AKOALIT PB4267 OR 4237 GREY
8	700098-1	1	CAST IRON FRAME (PURCHASED SEPARATELY)	CAST IRON ASTM A48 CLASS 25A
9	700581	2	1" X 3-3/4" NIPPLE WITH FLATS	RED BRASS ASTM B43 ALLOY C23000 O61 TEMPER ANNEALED
10	780113	1	18" DIA CAST IRON LID W/ RECESSED TR (SOLD SEPARATELY)	CAST IRON ASTM A125 CLASS B AND CAST BRONZE ASTM B584/B62 ALLOY C84400/C83600
11	790010	14	1" HEX NUT	ASTM B16 ALLOY C36000
12	790322	1	21" X 4" EZ INSULATING PAD (ORDER SEPARATELY)	ETHAFOAM 220 WHITE OR POLYLAM 1.7 DENSITY WHITE
13	094986E	1	1" FNPT THREADED TEE	ASTM B62 ALLOY C83600 OR ASTM B16 ALLOY C36000
14	330B24265	2	1" FULL PORT BALL VALVE	LEAD FREE BRASS ALLOY ASTM B584 C89833/C87850
15	330HI4244-A	2	1" ANGLE DUAL CHECK ASSE APPROVED	LEAD FREE BRASS ALLOY ASTM B584 C89833/C87850



1" NPT THREADS INLET AND OUTLET

DR. BY	BBF	08/07/18	UNLESS OTHERWISE NOTED	THIRD ANGLE PROJECTION	C.B. NO.
CHKR			BREAK CAST CORNER(S)---		
ENGR			BREAK MACH CORNER(S)---	PURCH.	FINISH
MGR			TOLERANCES	REF. NO.	PATT. NO.
MFG			UNLESS OTHERWISE NOTED	SCALE	
TOOL			LINEAR	ANGULAR	
FDRY			±	±	STR. NO.
MAT'L:					
MUELLER		DESCR. 1" COIL DOUBLE METER PIT 21" DIA X 48" DEPTH LOW LEAD BRASS		NUMBER 3300022148F5B5N	