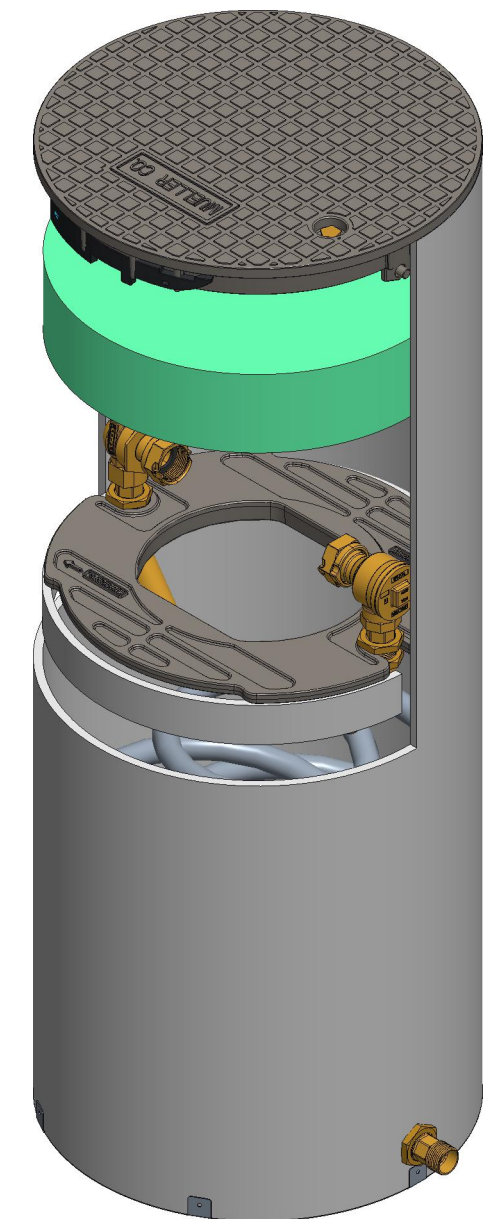
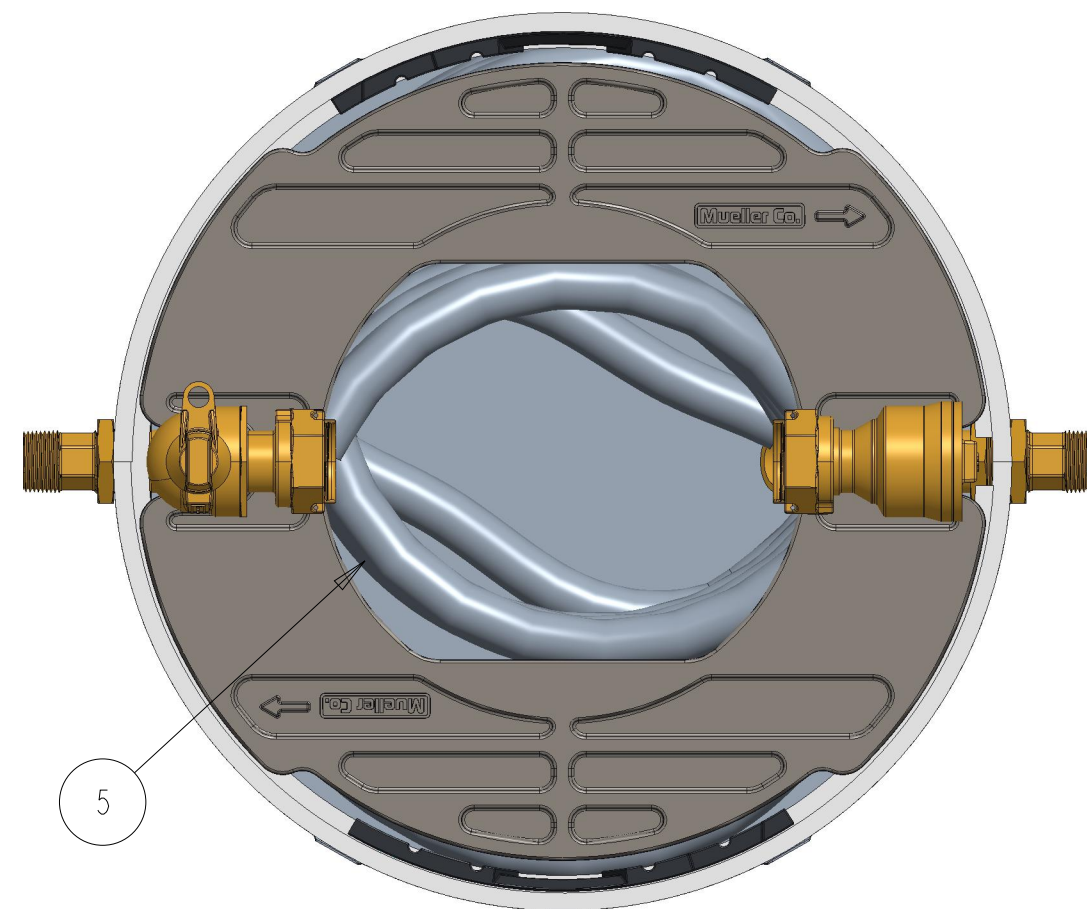
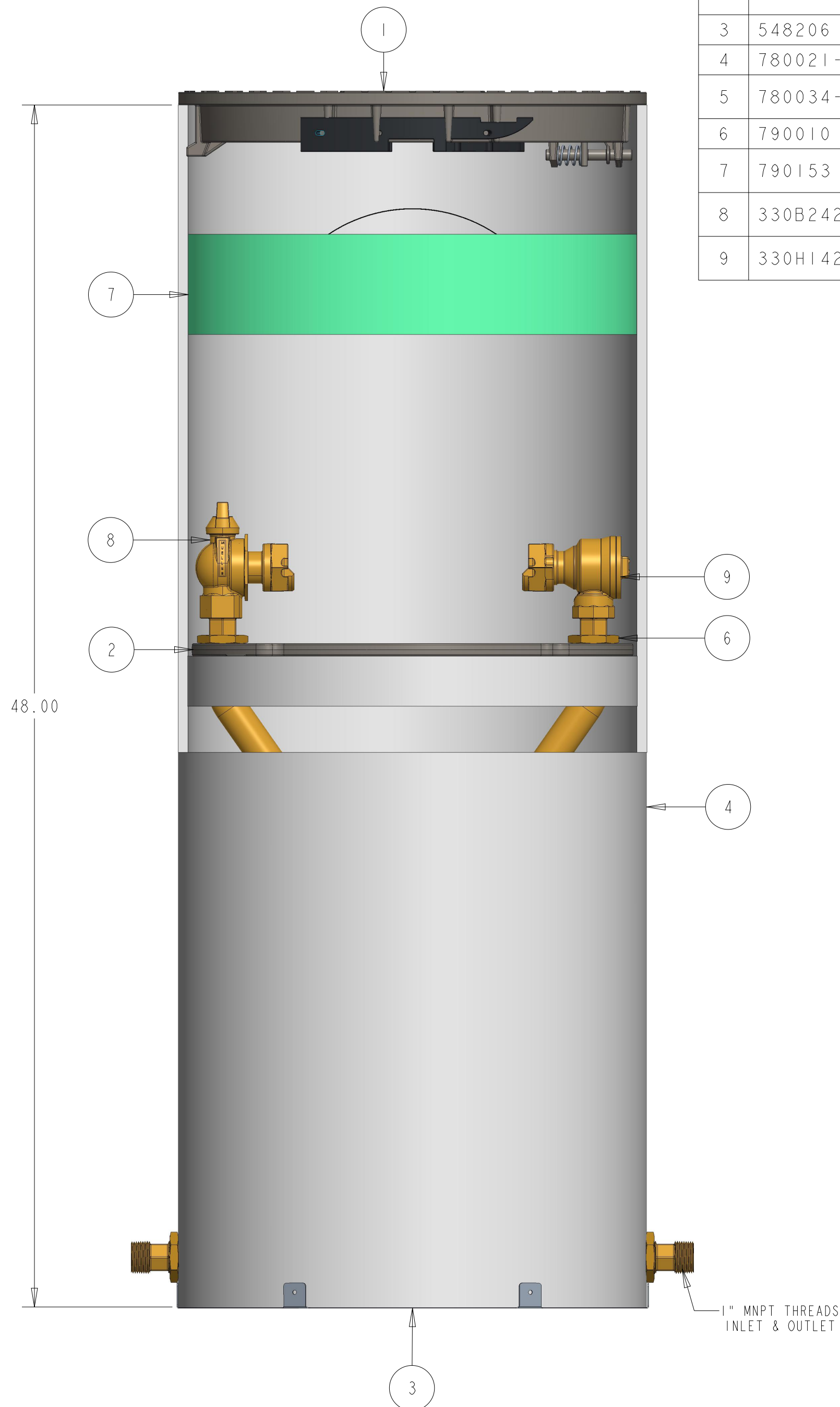


ITEM NO	PART NUMBER	QTY	DESCRIPTION	MATERIAL
1	311955	1	18" DIA SIDE LOCKING COMPOSITE LID (SOLD SEPARATELY)	COMPOSITE MATERIAL
2	311968	1	18-10 ABS PLATFORM	PLASTIC VIRGIN POLYLAC, PA747 ABS BLACK RESIN OR PROOFED EQUIVALENT RESIN
3	548206	1	18" DIA STAINLESS STEEL BOTTOM	STAINLESS STEEL SHEET METAL
4	780021-1848	1	SHELL SUB ASSEMBLY	SDR-51 PVC PIPE ASTM D2241 GRADE 1120
5	780034-1848	1	COIL SUB ASSEMBLY	POLYBUTYLENE RESIN BASELL AKOALIT PB4267 OR 4237 GREY
6	790010	8	1" HEX NUT	ASTM B16 ALLOY C36000
7	790153	1	18" INSULATION PAD (SOLD SEPARATELY)	ETHAFOAM 220 WHITE OR POLYLAM 1.7 DENSITY WHITE
8	330B24265	1	1" FULL PORT BALL VALVE	LEAD FREE BRASS ALLOY ASTM B584 C89833/C87850
9	330HI4244-A	1	1" ANGLE DUAL CHECK ASSE APPROVED	LEAD FREE BRASS ALLOY ASTM B584 C89833/C87850



DR. BY	BBF	12/03/18	UNLESS OTHERWISE NOTED	THIRD ANGLE PROJECTION	C.B. NO.
CHKR			BREAK CAST CORNER(S)---		
ENGR			BREAK MACH CORNER(S)---	PURCH.	FINISH
MGR			TOLERANCES	REF. NO.	PATT. NO.
MFG			UNLESS OTHERWISE NOTED	SCALE	
TOOL			LINEAR	ANGULAR	
FDRY			±	±	STR. NO.
MAT'L:					
MUELLER		DESCR. 1" COIL SINGLE METER PIT 18" DIA X 48" DEPTH LOW LEAD BRASS		NUMBER 330CS1848FSANN	