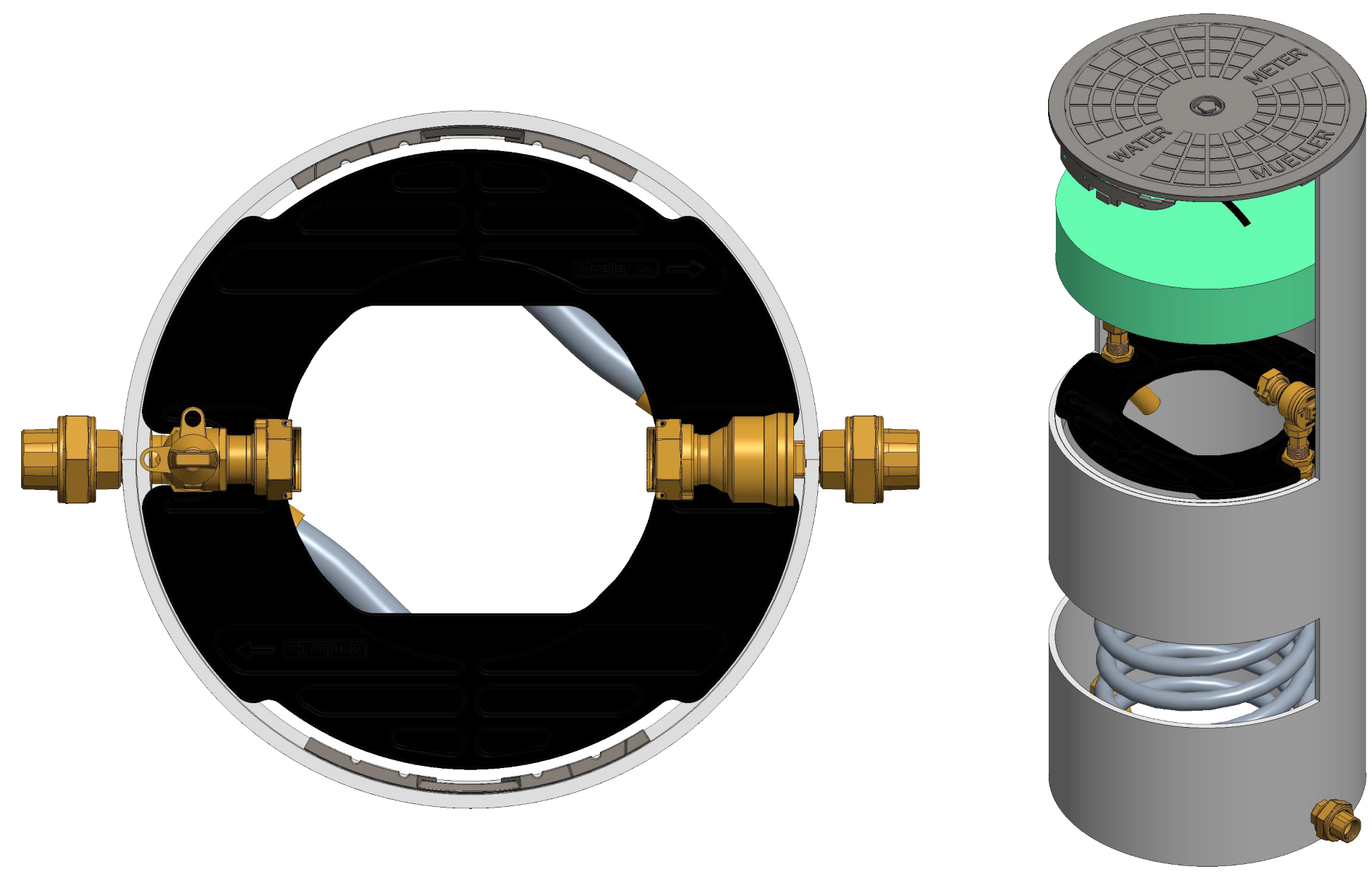
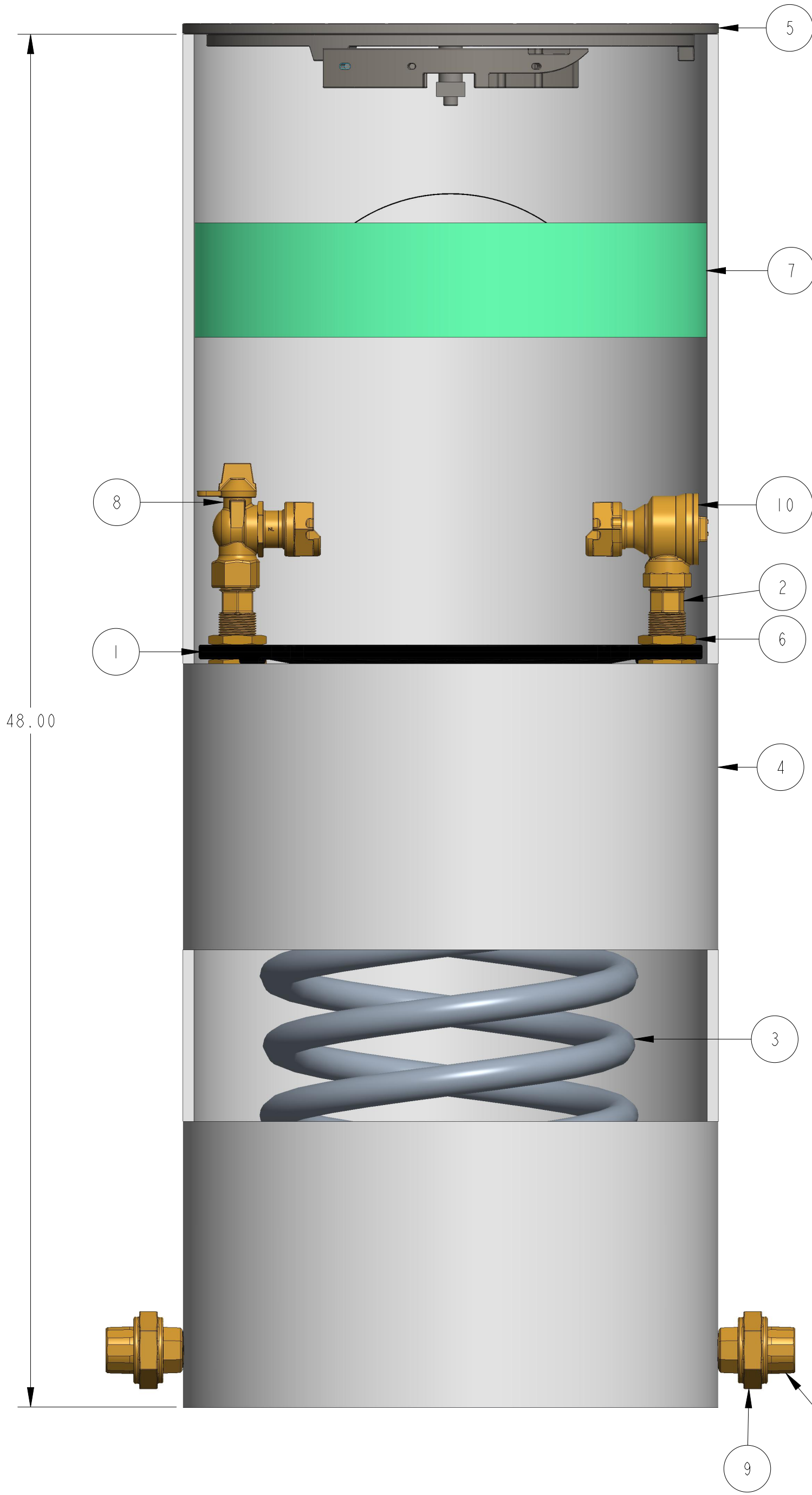


330CS1848RSBS000390N

ITEM NO	PART NUMBER	QTY	DESCRIPTION	MATERIAL
1	311968	1	18-10 ABS PLATFORM	PLASTIC VIRGIN POLYLAC, PA747 ABS BLACK RESIN OR PROOFED EQUIVALENT RESIN
2	700014	4	1" HOSE CONNECTOR	RED BRASS ASTM B43 ALLOY C23000 O61 TEMPER ANNEALED
3	700046-1848	2	1" COIL PART	POLYBUTYLENE RESIN BASELL AKOALIT PB4267 OR 4237 GREY
4	780029-1848	1	SHELL SUB ASSEMBLY	SDR-51 PVC PIPE ASTM D2241 GRADE 1120
5	780069	1	18" DIA CENTER LOCKING LID (NOT INCLUDED)	CAST IRON ASTM A126 CLASS B
6	790010	6	1" HEX NUT	ASTM B16 ALLOY C36000
7	790153	1	18" INSULATION PAD (SOLD SEPARATELY)	ETHAFOAM 220 WHITE OR POLYLAM 1.7 DENSITY WHITE
8	330B24265RN	1	1" REDUCED PORT BALL VALVE LLB	LEAD FREE BRASS ALLOY ASTM B584 C89833/C87850
9	330HI4211N	2	1" UNION	LEAD FREE BRASS ALLOY ASTM B584 C89833/C87850
10	330HI4244AN	1	1" ANGLE DUAL CHECK ASSE APPROVED LLB	LEAD FREE BRASS ALLOY ASTM B584 C89833/C87850



OPTION CODE 390:
 *UNIONS INSTALLED ON INLET AND OUTLET
 *NO EXPOSED THREADS ON OUTSIDE OF SHELL
 *USE OLD STYLE CONNECTOR

DR. BY	AOD	1/14/22	UNLESS OTHERWISE NOTED		THIRD ANGLE PROJECTION		C.B. NO.	
CHKR			BREAK CAST CORNER(S)---					
ENGR			BREAK MACH CORNER(S)---		PURCH.	FINISH	PATT. NO.	
MGR			TOLERANCES UNLESS OTHERWISE NOTED		REF. NO.	SCALE		
MFG			LINEAR	ANGULAR	STR. NO.			
TOOL			±	±				
FDRY			MAT'L:					
			MUELLER		DESCR. 1" COIL SINGLE METER PIT 18" DIA X 48" DEPTH LOW LEAD BRASS		NUMBER 330CS1848RSBS000390N	