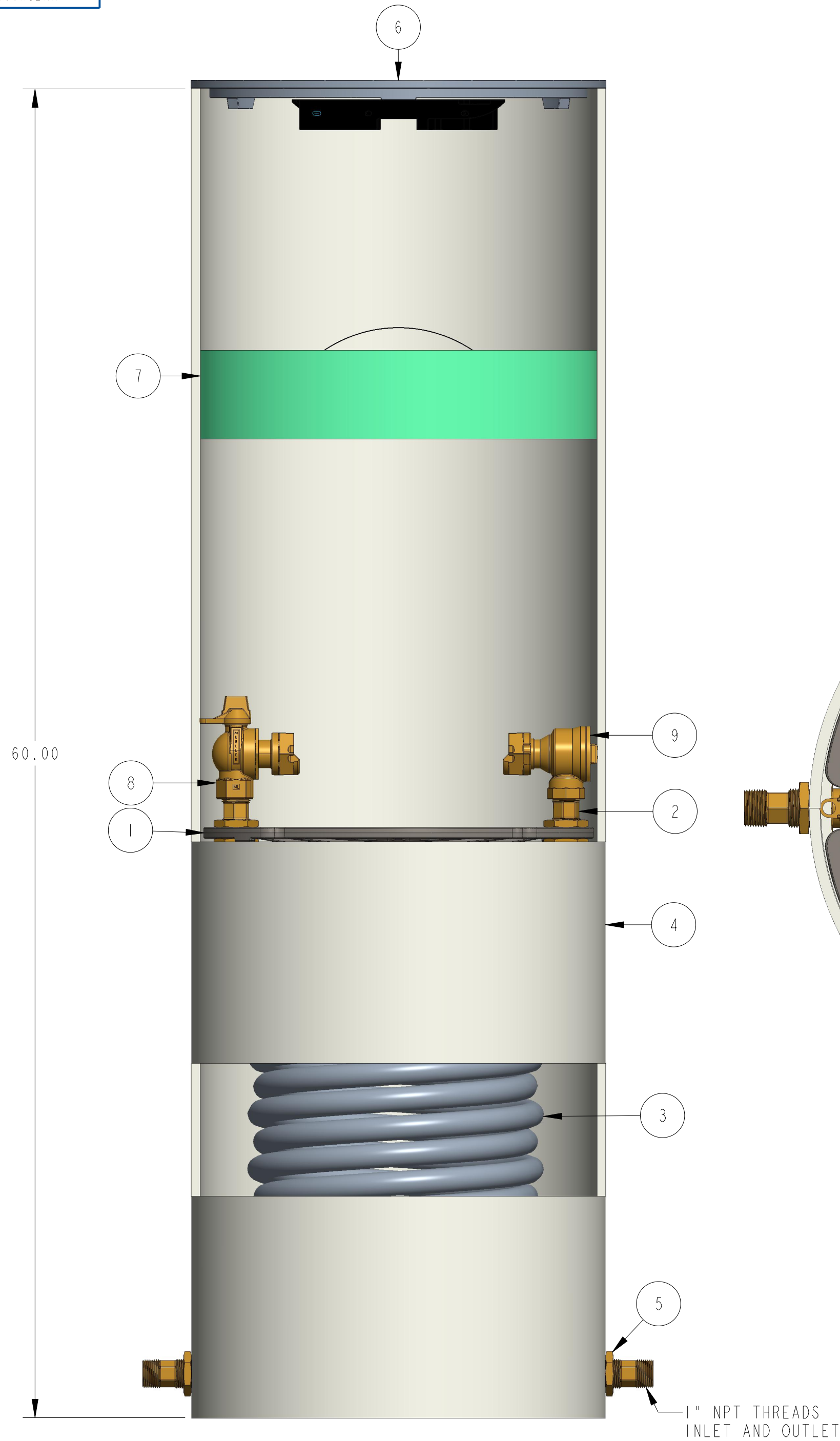
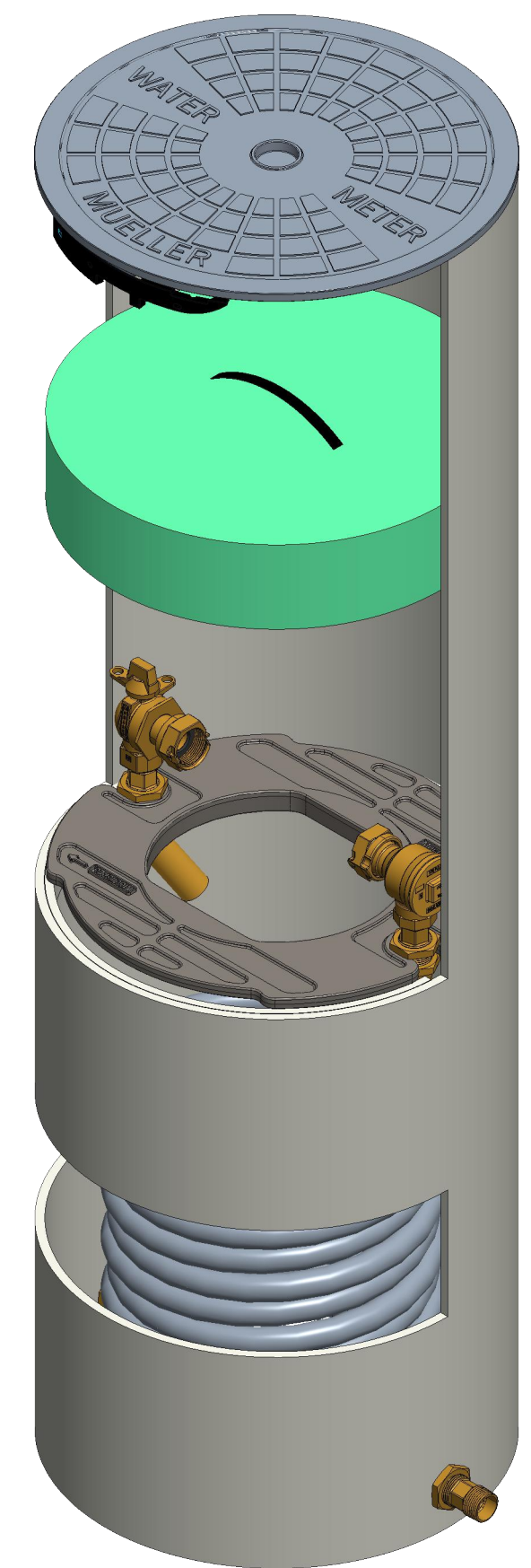
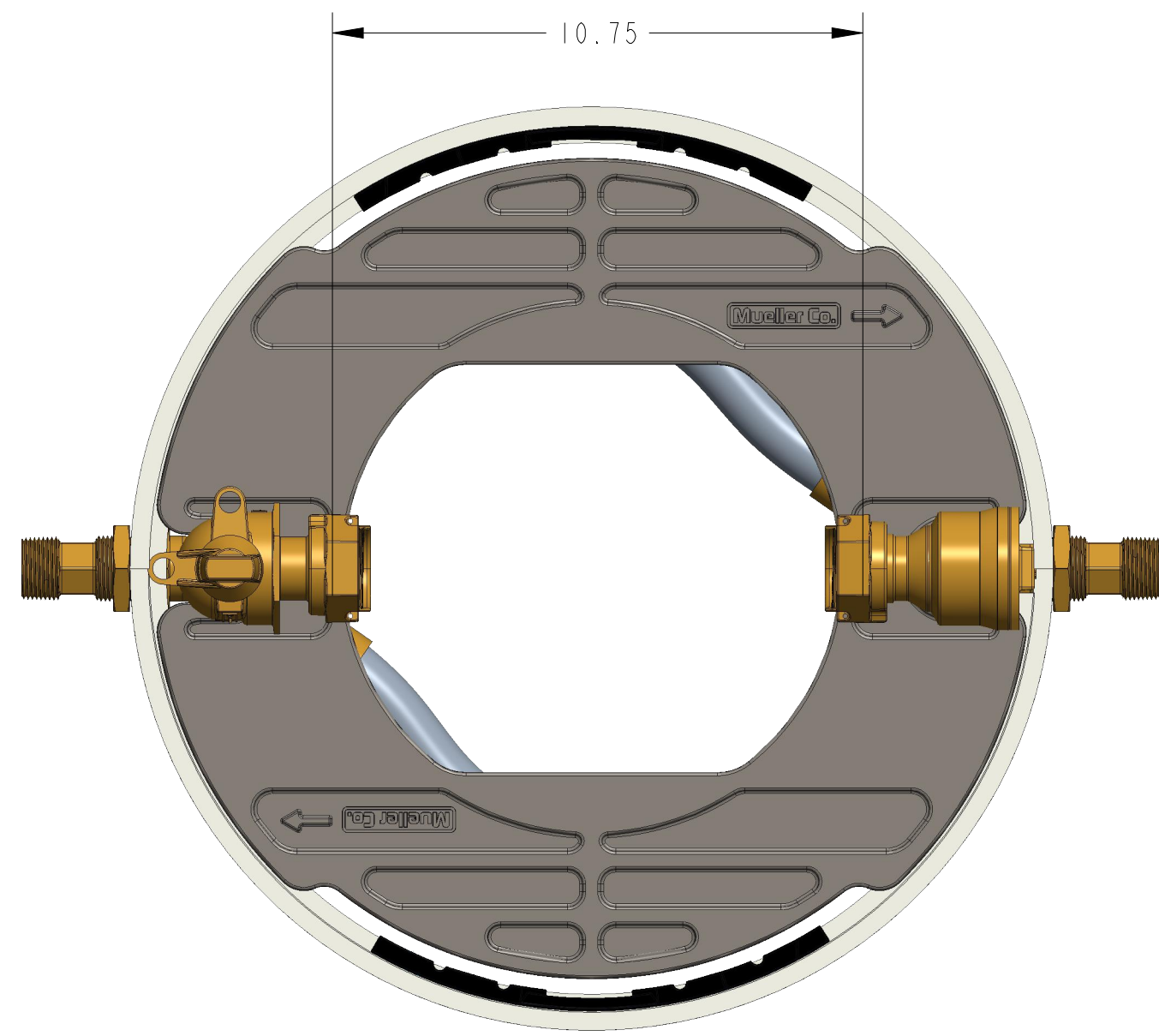


330CS1860XSBN



ITEM NO	PART NUMBER	QTY	DESCRIPTION	MATERIAL
1	311968	1	18-10 ABS PLATFORM	PLASTIC VIRGIN POLYLAC, PA747 ABS BLACK RESIN OR PROOFED EQUIVALENT RESIN
2	700014	4	1" HOSE CONNECTOR	RED BRASS ASTM B43 ALLOY C23000 O61 TEMPER ANNEALED
3	700046-1860	2	COIL PART	POLYBUTYLENE RESIN BASELL AKOALIT PB4267 OR 4237 GREY
4	780029-1860	1	18" SHELL SUB ASSEMBLY	SDR-51 PVC PIPE ASTM D2241 GRADE 1120
5	790010	8	1" HEX NUT	ASTM B16 ALLOY C36000
6	790018	1	18" NON LOCKING FLAT LID (SOLD SEPERATELY)	CAST IRON
7	790153	1	18" INSULATION PAD (SOLD SEPARATELY)	ETHAFOAM 220 WHITE OR POLYLAM 1.7 DENSITY WHITE
8	330B242653N	1	1" FULL PORT 360 BALL VALVE	LEAD FREE BRASS ALLOY ASTM B584 C89833/C87850
9	330H14244AN	1	1" ANGLE DUAL CHECK ASSE APPROVED LLB	LEAD FREE BRASS ALLOY ASTM B584 C89833/C87850



DR. BY	AOD	11/21/22	UNLESS OTHERWISE NOTED	THIRD ANGLE PROJECTION	C.B. NO.
CHKR			BREAK CAST CORNER(S)---		
ENGR			BREAK MACH CORNER(S)---	PURCH.	FINISH
MGR			TOLERANCES	REF. NO.	SCALE
MFG			UNLESS OTHERWISE NOTED	STR. NO.	
TOOL			LINEAR	ANGULAR	
FDRY			±	±	
MAT'L:					
MUELLER			DESCR. 1" COIL SINGLE METER PIT 18" DIA X 60" DEPTH LOW LEAD BRASS		NUMBER 330CS1860XSBN