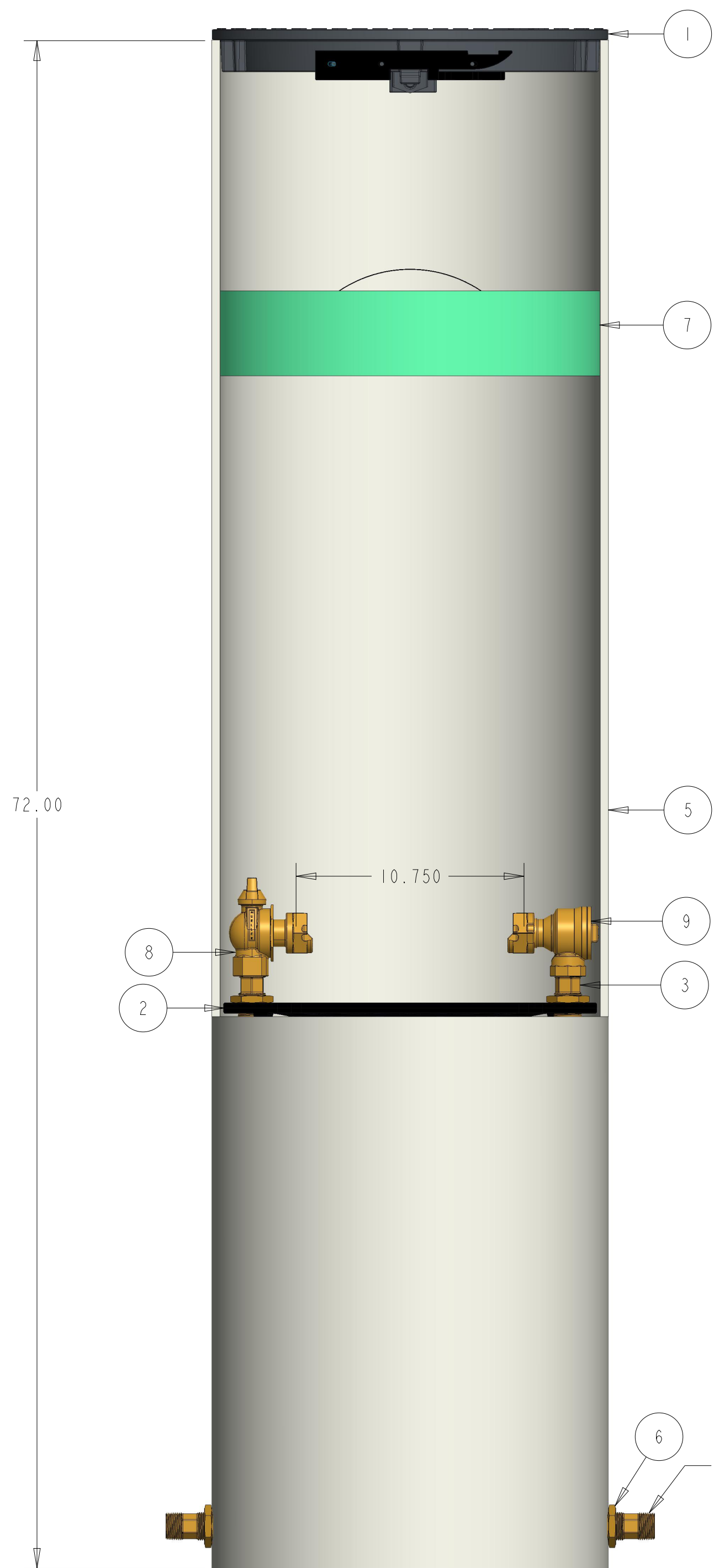
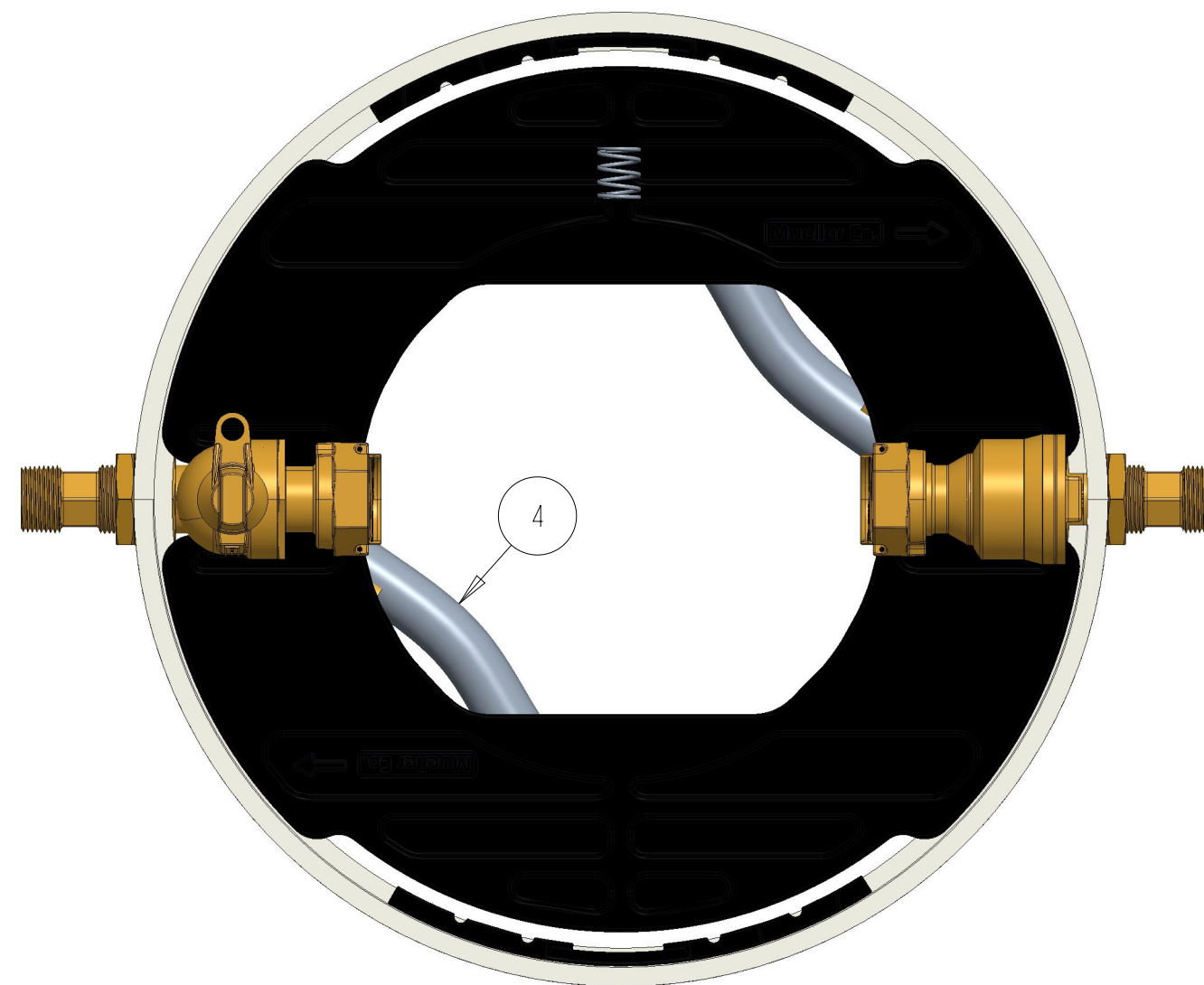


330CS1872FSBSN



| ITEM NO | PART NUMBER | QTY | DESCRIPTION | MATERIAL |
|---------|-------------|-----|------------------------------------------------------|---------------------------------------------------------------------------|
| 1 | 311955 | 1 | 18" DIA SIDE LOCKING COMPOSITE LID (SOLD SEPARATELY) | COMPOSITE MATERIAL |
| 2 | 311968 | 1 | 18-10 ABS PLATFORM | PLASTIC VIRGIN POLYLAC, PA747 ABS BLACK RESIN OR PROOFED EQUIVALENT RESIN |
| 3 | 700014 | 4 | 1" HOSE CONNECTOR | RED BRASS ASTM B43 ALLOY C23000 O61 TEMPER ANNEALED |
| 4 | 700046-1872 | 2 | COIL PART | POLYBUTYLENE RESIN BASELL AKOALIT PB4267 OR 4237 GREY |
| 5 | 780029-1872 | 1 | 18" SHELL SUB ASSEMBLY | SDR-51 PVC PIPE ASTM D2241 GRADE 1120 |
| 6 | 790010 | 8 | 1" HEX NUT | ASTM B16 ALLOY C36000 |
| 7 | 790153 | 1 | 18" INSULATION PAD (SOLD SEPARATELY) | ETHAFOAM 220 WHITE OR POLYLAM 1.7 DENSITY WHITE |
| 8 | 330B24265 | 1 | 1" FULL PORT BALL VALVE | LEAD FREE BRASS ALLOY ASTM B584 C89833/C87850 |
| 9 | 330HI4244-A | 1 | 1" ANGLE DUAL CHECK ASSE APPROVED | LEAD FREE BRASS ALLOY ASTM B584 C89833/C87850 |



6 1" MNPT THREADS INLET & OUTLET

| | | | | | | |
|----------------|-----|---------|-------------------------|-------------------------------------------------------------------|--------|--------------------------|
| DR. BY | BBF | 12/6/17 | UNLESS OTHERWISE NOTED | THIRD ANGLE PROJECTION | | C.B. NO. |
| CHKR | | | BREAK CAST CORNER(S)--- | | | |
| ENGR | | | BREAK MACH CORNER(S)--- | PURCH. | FINISH | PATT. NO. |
| MGR | | | TOLERANCES | REF. NO. | SCALE | |
| MFG | | | UNLESS OTHERWISE NOTED | STR. NO. | | |
| TOOL | | | LINEAR | ANGULAR | | |
| FDRY | | | ± | ± | | |
| MAT'L: | | | | | | |
| MUELLER | | | DESCR. | 1" COIL SINGLE METER PIT 18" DIA X 72" DEPTH LOW LEAD BRASS | | NUMBER 330CS1872FSBSN |