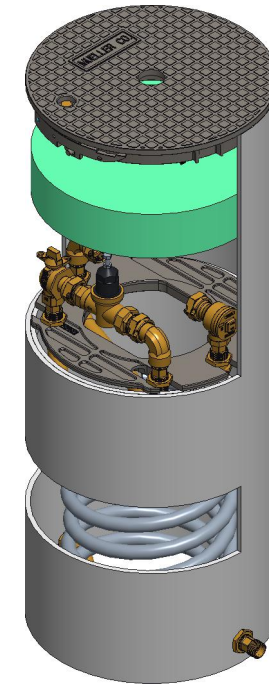
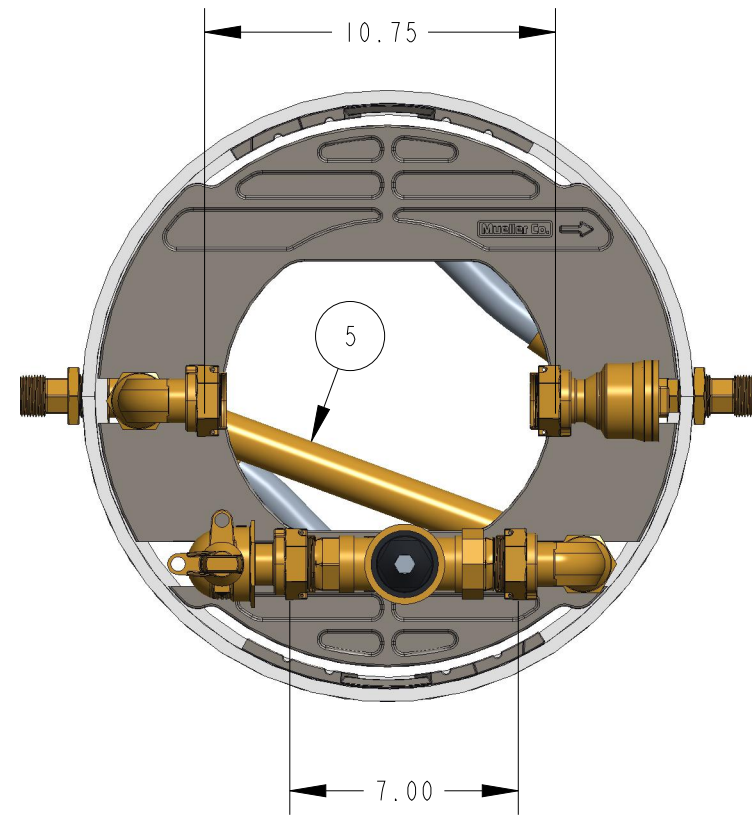


ITEM NO	PART NUMBER	QTY	DESCRIPTION
1	311955-TR2	1	18" COMPOSITE LID WITH 2" TR HOLE (SOLD SEPERATELY)
2	311980	1	18IN ABS PLATFORM 18-25
3	700014	4	1" HOSE CONNECTOR
4	700046-1848	2	1" COIL PART
5	700380	1	1" U BAR
6	780029-1848	1	SHELL SUB ASSEMBLY
7	790010	10	1" HEX NUT
8	790153	1	18" INSULATION PAD (SOLD SEPARATELY)
9	330B242653N	1	1" FULL PORT 360 BALL VALVE
10	330HI4210	2	1" METER COUPLING
11	330HI4244AN	1	1" ANGLE DUAL CHECK ASSE APPROVED LLB
12	502634E	2	1" STRAINER SPUD
13	552118E	1	1" WILKINS NR3XL PRV



OPTION CODE 420:

- \*1" PRV INSTALLED BEFORE SHIPMENT
- \*WILKINS NR3XL - USE SPUDS - 7" TOTAL LAY LENGTH

330CT1848XSBS000420N

DR. BY	JBK	11/16/22	UNLESS OTHERWISE NOTED	THIRD ANGLE PROJECTION	C.B. NO.
CHKR			BREAK CAST CORNER(S)---		
ENGR			BREAK MACH CORNER(S)---	PURCH.	FINISH
MGR			TOLERANCES	REF. NO.	PATT. NO.
MFG			UNLESS OTHERWISE NOTED	SCALE	
TOOL			LINEAR	ANGULAR	
FDRY			±	±	STK. NO.
MAT'L:					
			DESCR. 1" COIL TANDEM METER PIT 18" DIA X 48" DEPTH LOW LEAD BRASS	NUMBER 330CT1848XSBS000420N	