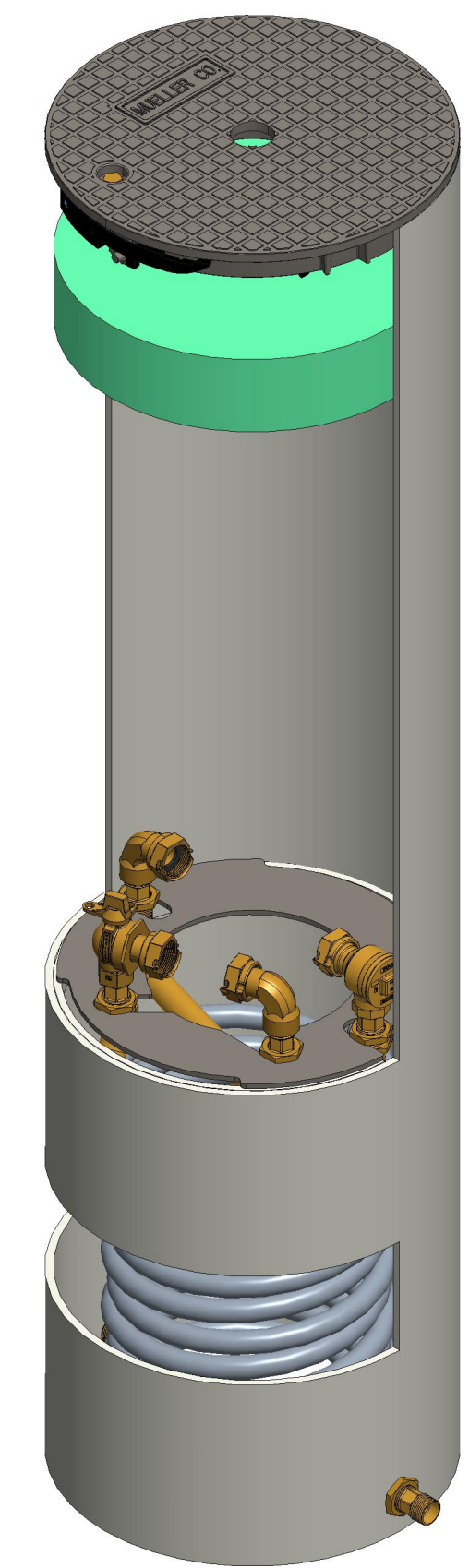
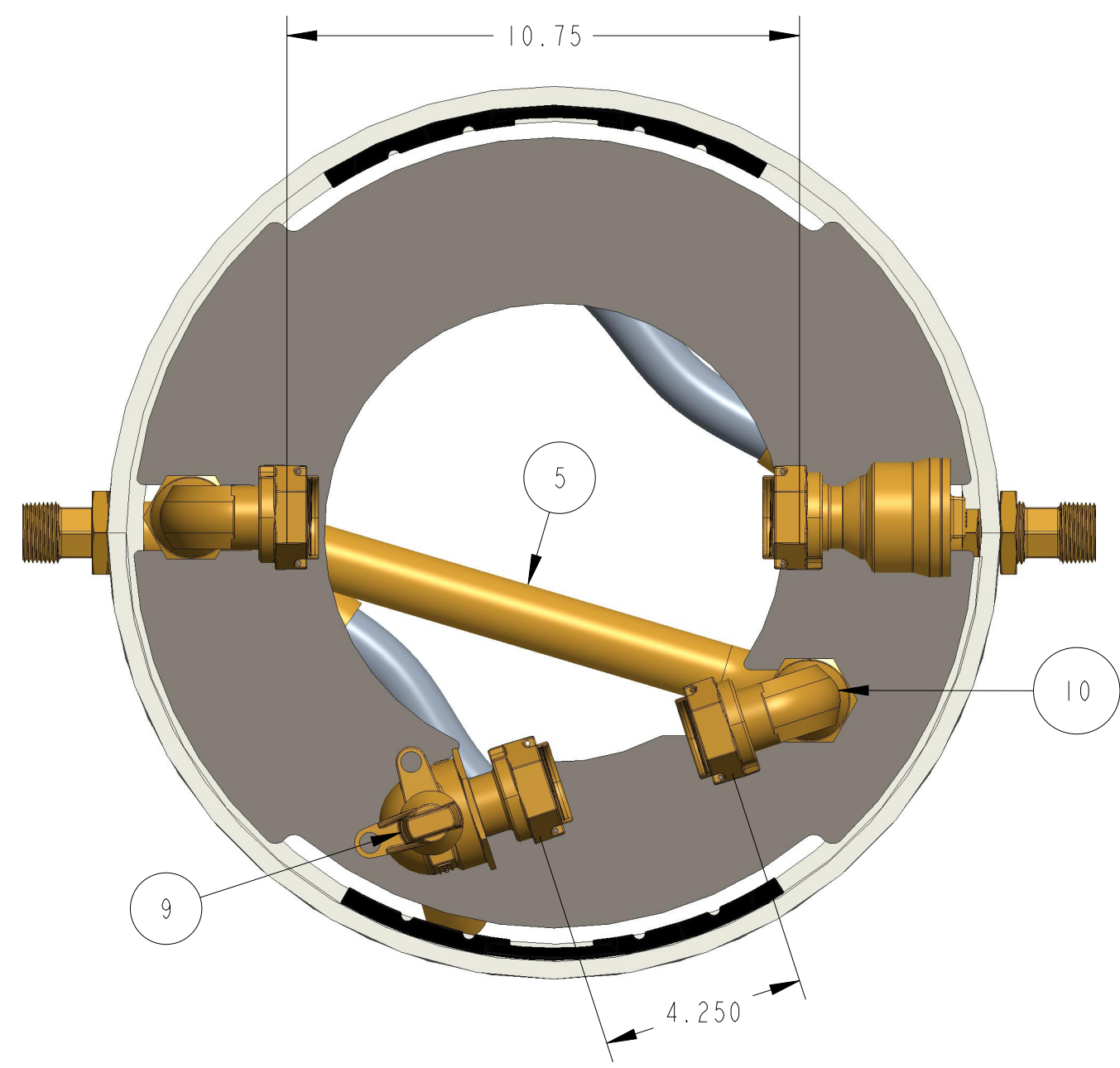
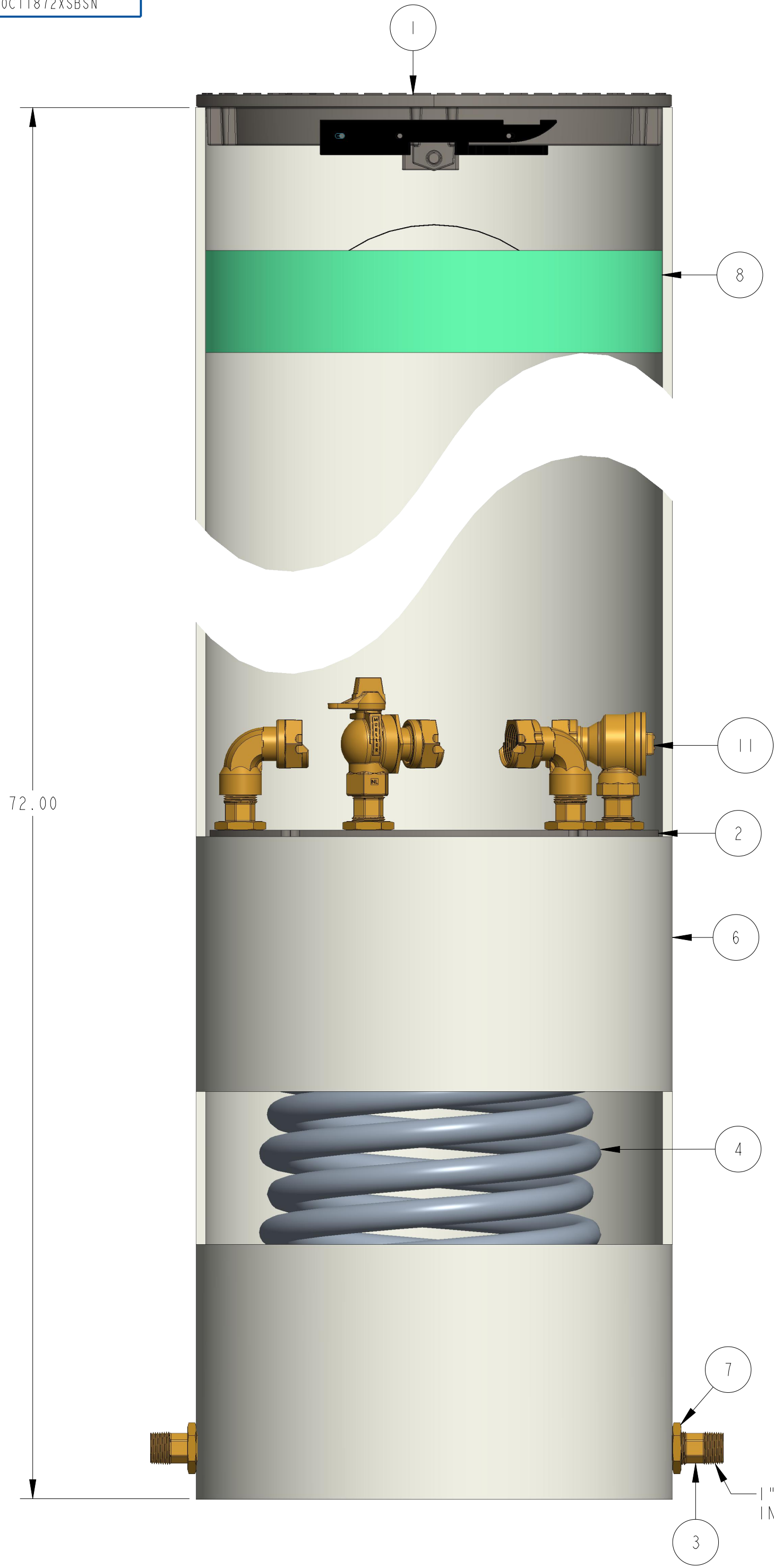


330CT1872XSBSN

ITEM NO	PART NUMBER	QTY	DESCRIPTION
1	311955-TR2	1	18" COMPOSITE LID WITH 2" TR HOLE (SOLD SEPERATELY)
2	552028	1	18" ADJUSTABLE TANDEM PLATFORM
3	700014	4	1" HOSE CONNECTOR
4	700046-1872	2	COIL PART
5	700382	1	1" U BAR
6	780029-1872	1	18" SHELL SUB ASSEMBLY
7	790010	10	1" HEX NUT
8	790153	1	18" INSULATION PAD (SOLD SEPARATELY)
9	330B242653N	1	1" FULL PORT 360 BALL VALVE
10	330HI4210	2	1" METER COUPLING
11	330HI4244AN	1	1" ANGLE DUAL CHECK ASSE APPROVED LLB



1" NPT THREADS INLET AND OUTLET

DR. BY	AOD	3/15/23	UNLESS OTHERWISE NOTED	THIRD ANGLE PROJECTION	C.B. NO.
CHKR			BREAK CAST CORNER(S)---		
ENGR			BREAK MACH CORNER(S)---	PURCH.	FINISH
MGR			TOLERANCES	REF. NO.	SCALE
MFG			UNLESS OTHERWISE NOTED	STR. NO.	
TOOL			LINEAR	ANGULAR	
FDRY			±	±	
MAT'L:					
MUELLER			DESCR. 1" COIL TANDEM METER PIT 18" DIA X 72" DEPTH LOW LEAD BRASS		NUMBER 330CT1872XSBSN