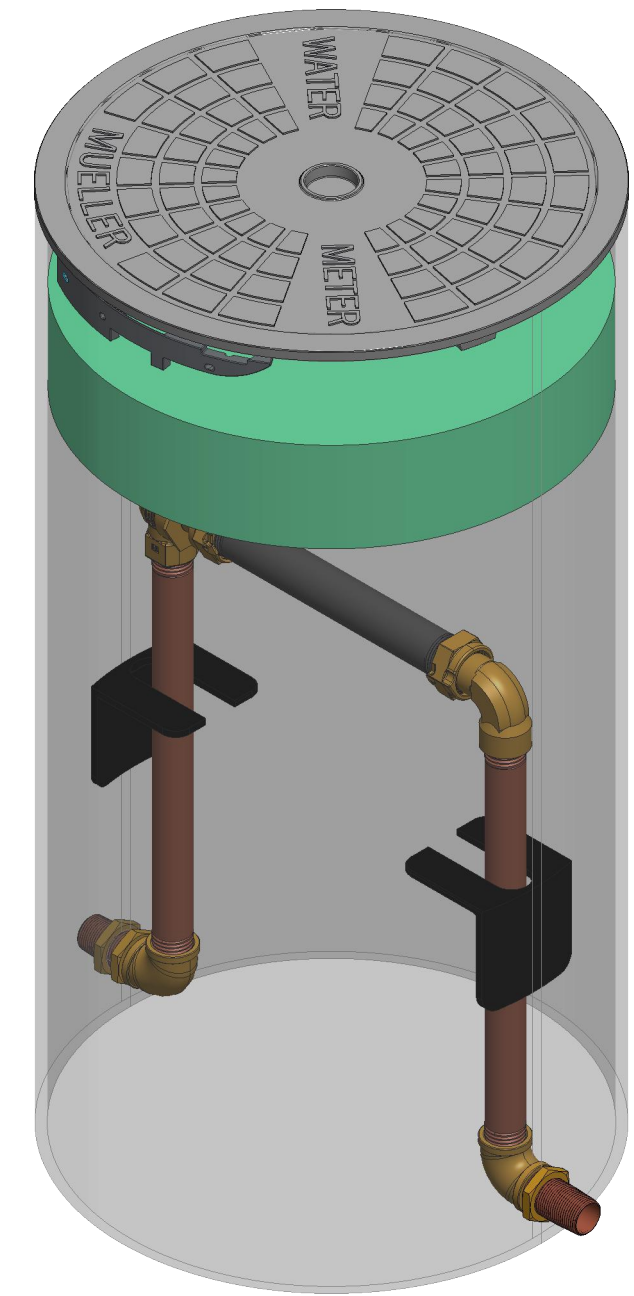
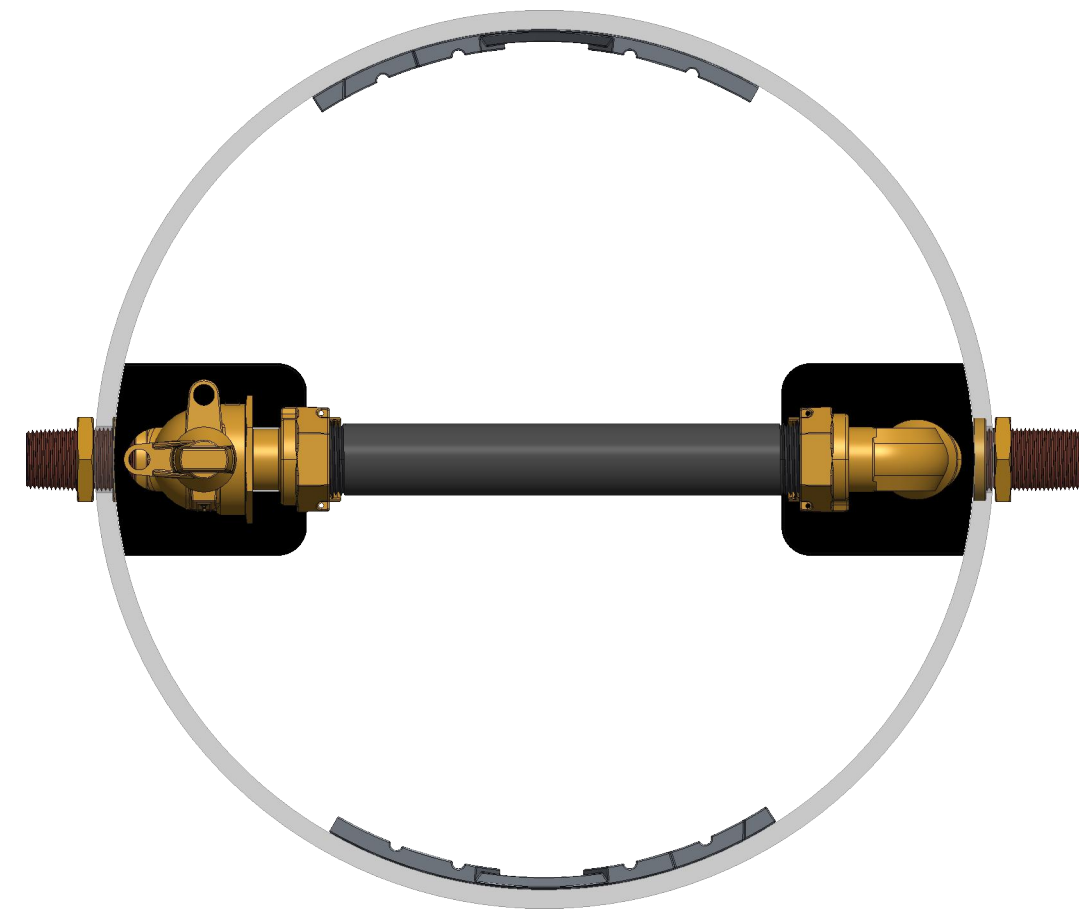
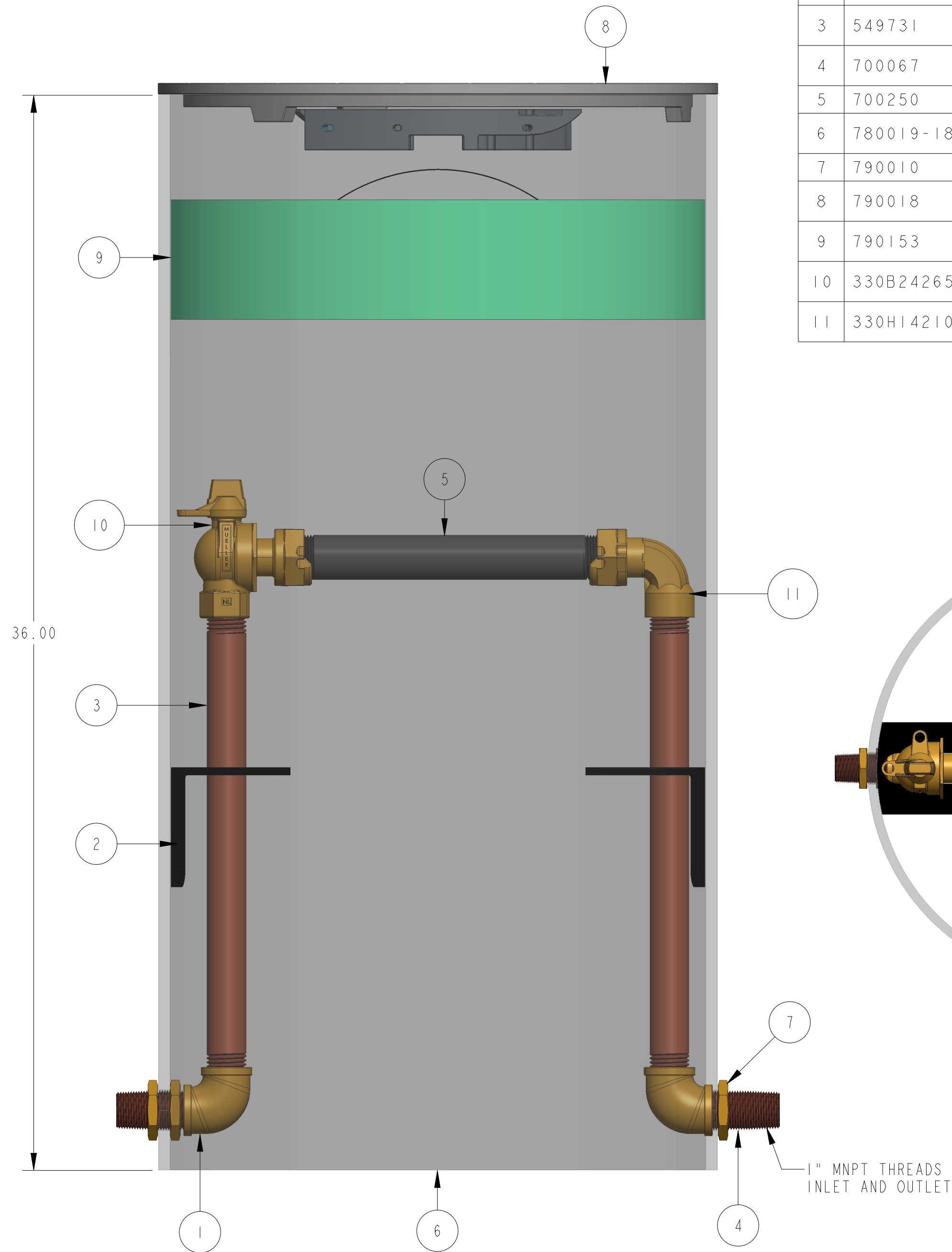


330RS1836XABN00040IN

ITEM NO	PART NUMBER	QTY	DESCRIPTION	MATERIAL
1	094987	2	1" FNPT ELBOW	CAST BRONZE ASTM B584 ALLOY C89833
2	547400	2	1" SUPPORT BRACKET	BLACK PLASTIC ABS
3	549731	2	1" BRASS PIPE	RED BRASS ASTM B43 ALLOY C23000 O61 TEMPER ANNEALED
4	700067	2	NIPPLE 1" X 3"	RED BRASS ASTM B43 ALLOY C23000 O61 TEMPER ANNEALED
5	700250	1	1" METER JUMPER	SCH 80 PVC PIPE
6	780019-1836	1	SHELL SUB ASSEMBLY	SDR-51 PVC PIPE ASTM D2241 GRADE 1120
7	790010	3	1" HEX NUT	ASTM B16 ALLOY C36000
8	790018	1	18" NON LOCKING FLAT LID (SOLD SEPERATELY)	CAST IRON
9	790153	1	18" INSULATION PAD (SOLD SEPERATELY)	ETHAFOAM 220 WHITE OR POLYLAM 1.7 DENSITY WHITE
10	330B242653N	1	1" FULL PORT 360 BALL VALVE	LEAD FREE BRASS ALLOY ASTM B584 C89833/C87850
11	330H14210	1	1" METER COUPLING	LEAD FREE BRASS ALLOY ASTM B584 C89833/C87850



OPTION CODE: 40L
 *15.5" CENTERLINE FROM TOP OF SHELL

DR. BY	AOD	4/24/23	UNLESS OTHERWISE NOTED	THIRD ANGLE PROJECTION	C.B. NO.
CHKR			BREAK CAST CORNER(S)---		
ENGR			BREAK MACH CORNER(S)---	PURCH.	FINISH
MGR			TOLERANCES	REF. NO.	PATT. NO.
MFG			UNLESS OTHERWISE NOTED	SCALE	
TOOL			LINEAR	ANGULAR	
FDRY			±	±	STR. NO.
MAT'L:					
MUELLER			DESCR. 1" RIGID SINGLE METER PIT 18" DIA X 36" DEEP LEAD FREE BRASS		NUMBER 330RS1836XABN00040IN